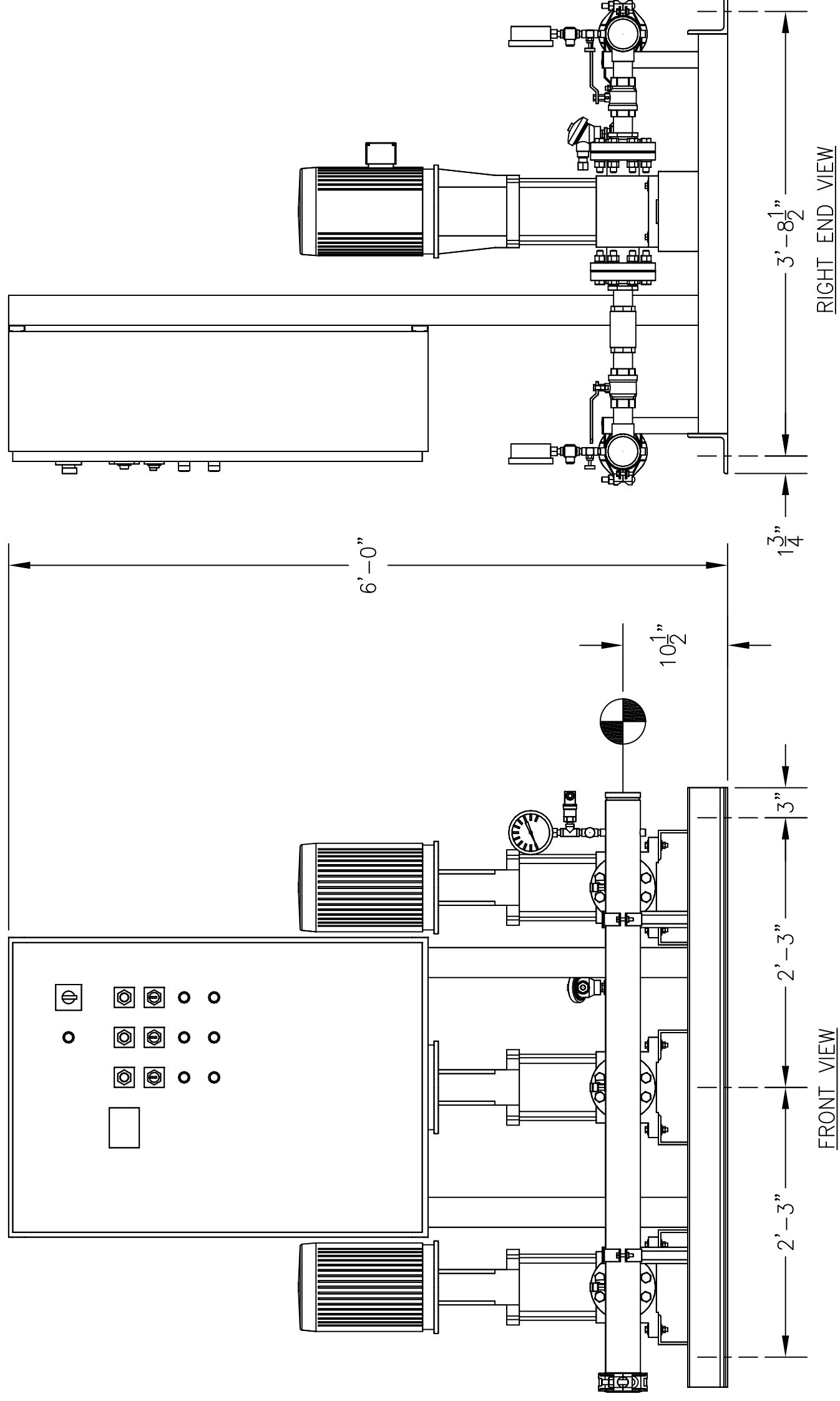


RELIEF VALVES AND EQUIPMENT DRAINS TO BE PIPIED TO DRAIN OR VENT BY CONTRACTOR PER CODE REQUIREMENT.

ALL BOLTING AND ANCHORAGE TO BE IN COMPLIANCE WITH LOCAL CODES AND ANY SEISMIC REQUIREMENTS.



CONSTRUCTION NOTES:

- SUCTON AND DISCHARGE HEADERS ARE GROOVED ON BOTH ENDS.
- END CAPS CAN BE PLACED ON EITHER END OF HEADERS.
- SYSTEM DESIGNED FOR INDOOR INSTALLATION.

- GPM		- PSI		- PSI				
TOTAL FLOW		TOTAL DISCHARGE PRESSURE		AVAILABLE PRESSURE				
TOTAL SYSTEM CAPACITY								
4	P-3	GOULDS	ESV	10SVG-6	-	5	3500	-
3	P-2	GOULDS	ESV	10SVG-6	-	5	3500	-
2	P-1	GOULDS	ESV	10SVG-6	-	5	3500	-

ITEM	TAG	MANUFACTURER	SERIES	MODEL	GPM	TDH	HP	RPM	VOLTS/HZ/PH	ENCLOSURE
PUMP SCHEDULE										
10	-	-	-	-	-	-	-	-	-	-
9	-	-	-	-	-	-	-	-	-	-
8	-	-	-	-	-	-	-	-	-	-
7	-	-	-	-	-	-	-	-	-	-
6	6	-	-	BALL VALVE - 1 1/2"	-	-	-	-	-	-
5	3	-	-	DANFOSS FLOWMATIC CHECK VALVE - 1 1/2"	-	-	-	-	-	-
4	1	P-3	-	GOULDS ESV MULTI-STAGE PUMP MODEL 10SVG-6	-	-	-	-	-	-
3	1	P-2	-	GOULDS ESV MULTI-STAGE PUMP MODEL 10SVG-6	-	-	-	-	-	-
2	1	P-1	-	GOULDS ESV MULTI-STAGE PUMP MODEL 10SVG-6	-	-	-	-	-	-
1	1	-	-	VARIABLE SPEED PUMP CONTROL PANEL	-	-	-	-	-	-

ITEM	QTY	TAG	DESCRIPTION
EQUIPMENT SCHEDULE			
10	-	-	-
9	-	-	-
8	-	-	-
7	-	-	-
6	6	-	BALL VALVE - 1 1/2"
5	3	-	DANFOSS FLOWMATIC CHECK VALVE - 1 1/2"
4	1	P-3	GOULDS ESV MULTI-STAGE PUMP MODEL 10SVG-6
3	1	P-2	GOULDS ESV MULTI-STAGE PUMP MODEL 10SVG-6
2	1	P-1	GOULDS ESV MULTI-STAGE PUMP MODEL 10SVG-6
1	1	-	VARIABLE SPEED PUMP CONTROL PANEL

- GENERAL NOTES:
- SINGLE POINT POWER CONNECTION AT CONTROL PANEL.
 - HYDRO PRESSURE CHECK AT 125 PSI.
 - ASSEMBLED SYSTEM TO BE PAINTED WITH INDUSTRIAL MACHINE ENAMEL PRIOR TO SHIPMENT.



= DENOTES CONTRACTOR POINT OF CONNECTION SHIPMENT.

THIS DRAWING AND THE INFORMATION DEPICTED THEREIN IS THE PROPERTY OF FLOWTHERM SYSTEMS, A DIVISION OF CHC. COPIES ARE ISSUED IN STRICT CONFIDENCE AND SHALL NOT BE REPRODUCED, COPIED, OR USED AS THE BASIS FOR FACTURING OR SALE OF ANY PRODUCT WITHOUT PRIOR WRITTEN PERMISSION OF CHC.

PROJECT NAME:

CUSTOMER:

DRAWN BY DATE: 02/11/14 CHECKED BY APPROVED BY

TOLERANCES UNLESS OTHERWISE SPECIFIED

DEC: .500" FRAC: 1/2" ANGLE: 5' SCALE: 1" = 1'



LISTED
PACKAGED PUMPING SYSTEMS
& HEAT TRANSFER SYSTEMS

APPROXIMATE SHIPPING WEIGHT: 1,163 LBS.
APPROXIMATE OPERATING WEIGHT: 1,216 LBS.

FLOWTHERM systems
HAYWARD, CALIFORNIA

DRAWING TITLE: VARIABLE SPEED TRIPLEX PRESSURE BOOSTER

FAB No. - DRAWING No. - REV 1