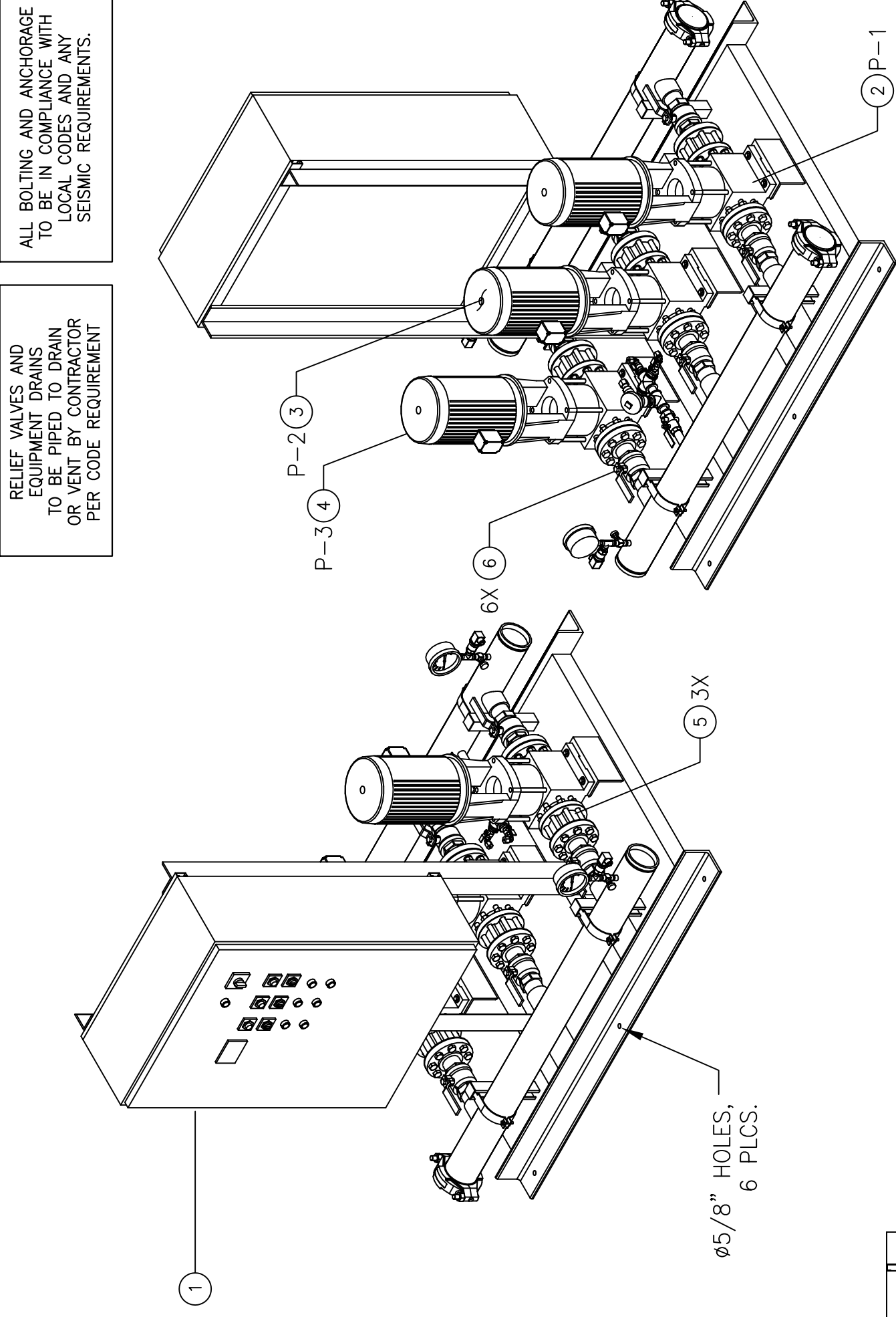
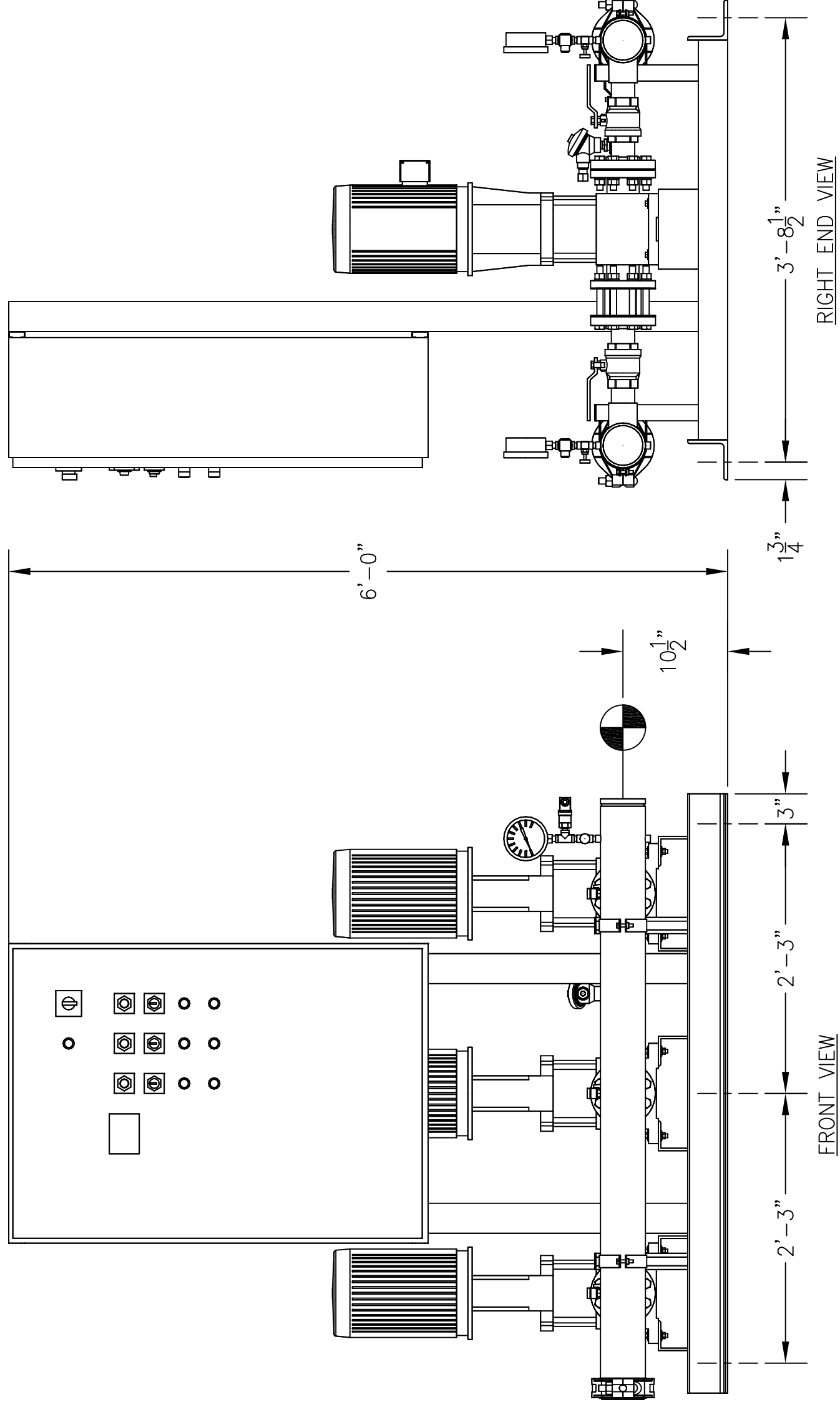


42" SERVICE CLEARANCE
REQUIRED IN FRONT
OF CONTROL PANEL

TOP VIEW



Ø5/8" HOLES,
6 PLCS.



CONSTRUCTION NOTES:

1. SUCTION AND DISCHARGE HEADERS ARE GROOVED ON BOTH ENDS.
2. END CAPS CAN BE PLACED ON EITHER END OF HEADERS.
3. SYSTEM DESIGNED FOR INDOOR INSTALLATION.

- GPM		- PSI		- PSI				
TOTAL FLOW		TOTAL DISCHARGE PRESSURE		AVAILABLE PRESSURE				
TOTAL SYSTEM CAPACITY								
4	P-3	GOULDS	ESV	15SVG-2	-	5	3500	-
3	P-2	GOULDS	ESV	15SVG-2	-	5	3500	-
2	P-1	GOULDS	ESV	15SVG-2	-	5	3500	-

ITEM	TAG	MANUFACTURER	SERIES	MODEL	GPM	TDH	HP	RPM	VOLTS/HZ/PH	ENCLOSURE
PUMP SCHEDULE										
10	-	-	-	-	-	-	-	-	-	-
9	-	-	-	-	-	-	-	-	-	-
8	-	-	-	-	-	-	-	-	-	-
7	-	-	-	-	-	-	-	-	-	-
6	6	-	-	BALL VALVE - 2"	-	-	-	-	-	-
5	3	-	-	VAL-MATIC WAFER CHECK VALVE - 2"	-	-	-	-	-	-
4	1	P-3	GOULDS	ESV MULTI-STAGE PUMP MODEL 15SVG-2	-	-	-	-	-	-
3	1	P-2	GOULDS	ESV MULTI-STAGE PUMP MODEL 15SVG-2	-	-	-	-	-	-
2	1	P-1	GOULDS	ESV MULTI-STAGE PUMP MODEL 15SVG-2	-	-	-	-	-	-
1	1	-	-	VARIABLE SPEED PUMP CONTROL PANEL	-	-	-	-	-	-

ITEM	QTY	TAG	DESCRIPTION
EQUIPMENT SCHEDULE			
10	-	-	-
9	-	-	-
8	-	-	-
7	-	-	-
6	6	-	BALL VALVE - 2"
5	3	-	VAL-MATIC WAFER CHECK VALVE - 2"
4	1	P-3	GOULDS ESV MULTI-STAGE PUMP MODEL 15SVG-2
3	1	P-2	GOULDS ESV MULTI-STAGE PUMP MODEL 15SVG-2
2	1	P-1	GOULDS ESV MULTI-STAGE PUMP MODEL 15SVG-2
1	1	-	VARIABLE SPEED PUMP CONTROL PANEL

GENERAL NOTES:

- (1) SINGLE POINT POWER CONNECTION AT CONTROL PANEL.
- (2) HYDRO PRESSURE CHECK AT 125 PSI.
- (3) ASSEMBLED SYSTEM TO BE PAINTED WITH INDUSTRIAL MACHINE ENAMEL PRIOR TO SHIPMENT.



= DENOTES CONTRACTOR POINT OF CONNECTION

THIS DRAWING AND THE INFORMATION DEPICTED THEREIN IS THE PROPERTY OF FLOWTHERM SYSTEMS, A DIVISION OF CHC. COPIES ARE ISSUED IN STRICT CONFIDENCE AND SHALL NOT BE REPRODUCED, COPIED, OR SOLE AS THE BASIS FOR FACTURING OR SALE OF ANY PRODUCT WITHOUT PRIOR WRITTEN PERMISSION OF CHC.



LISTED
PACKAGED PUMPING SYSTEMS
& HEAT TRANSFER SYSTEMS

APPROXIMATE SHIPPING WEIGHT: 1,181 LBS.
APPROXIMATE OPERATING WEIGHT: 1,228 LBS.

PROJECT NAME:

-

CUSTOMER:

-

DRAWN BY DATE: 02/11/14 CHECKED BY APPROVED BY

TOLERANCES UNLESS OTHERWISE SPECIFIED

DEC: .500" FRAC: 1/2" ANGLE: 5' SCALE: 1" = 1'

DRAWING TITLE:

VARIABLE SPEED TRIPLEX PRESSURE BOOSTER

FAB No. -

DRAWING No. FW3-5

REV 1

