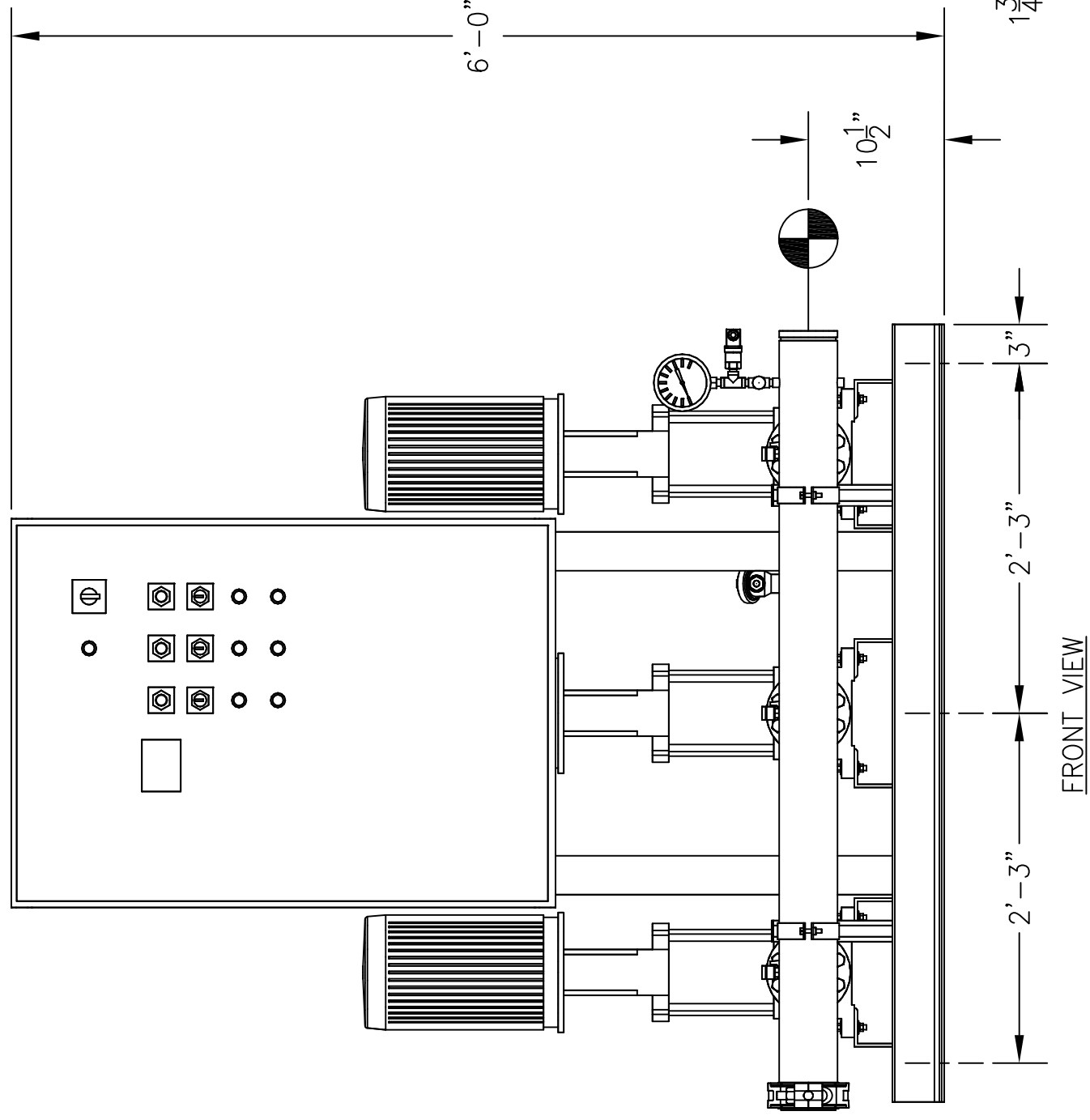
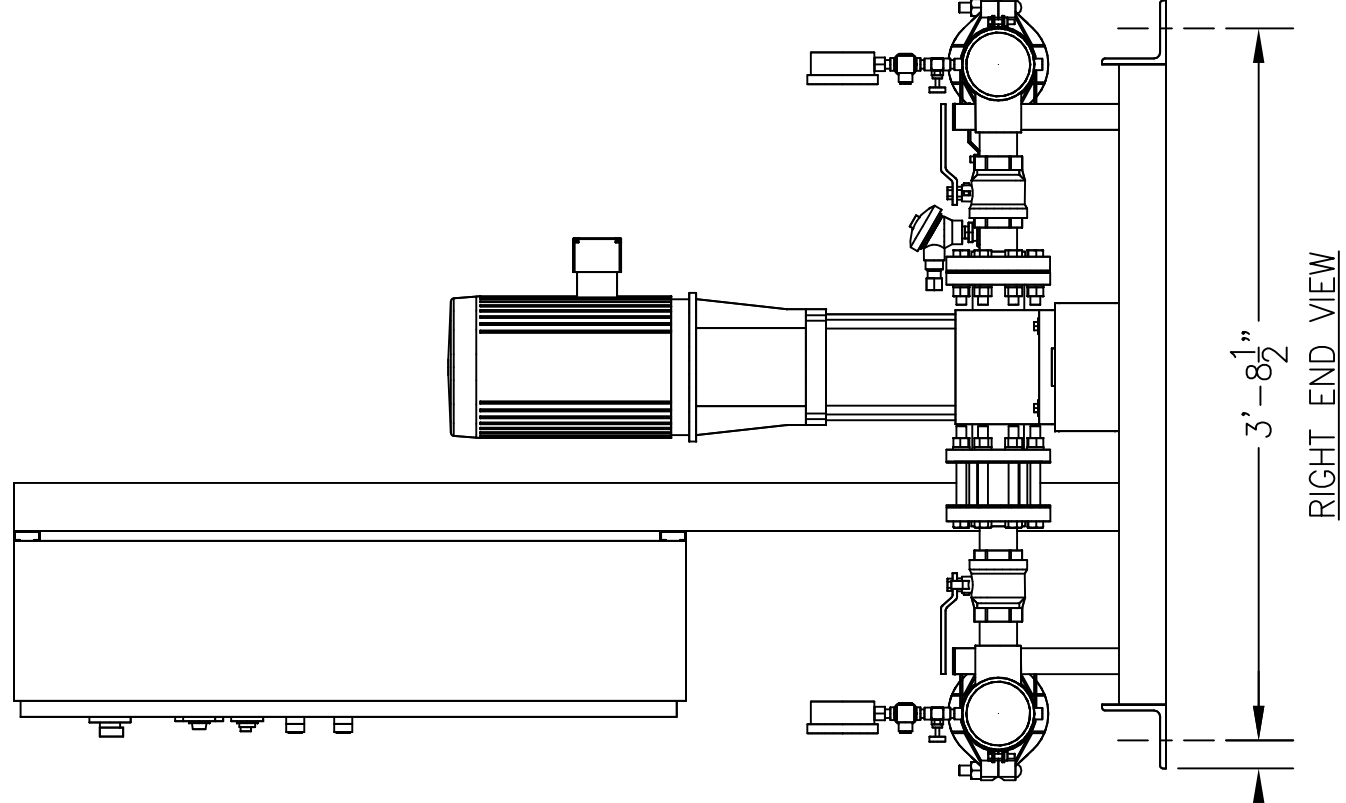


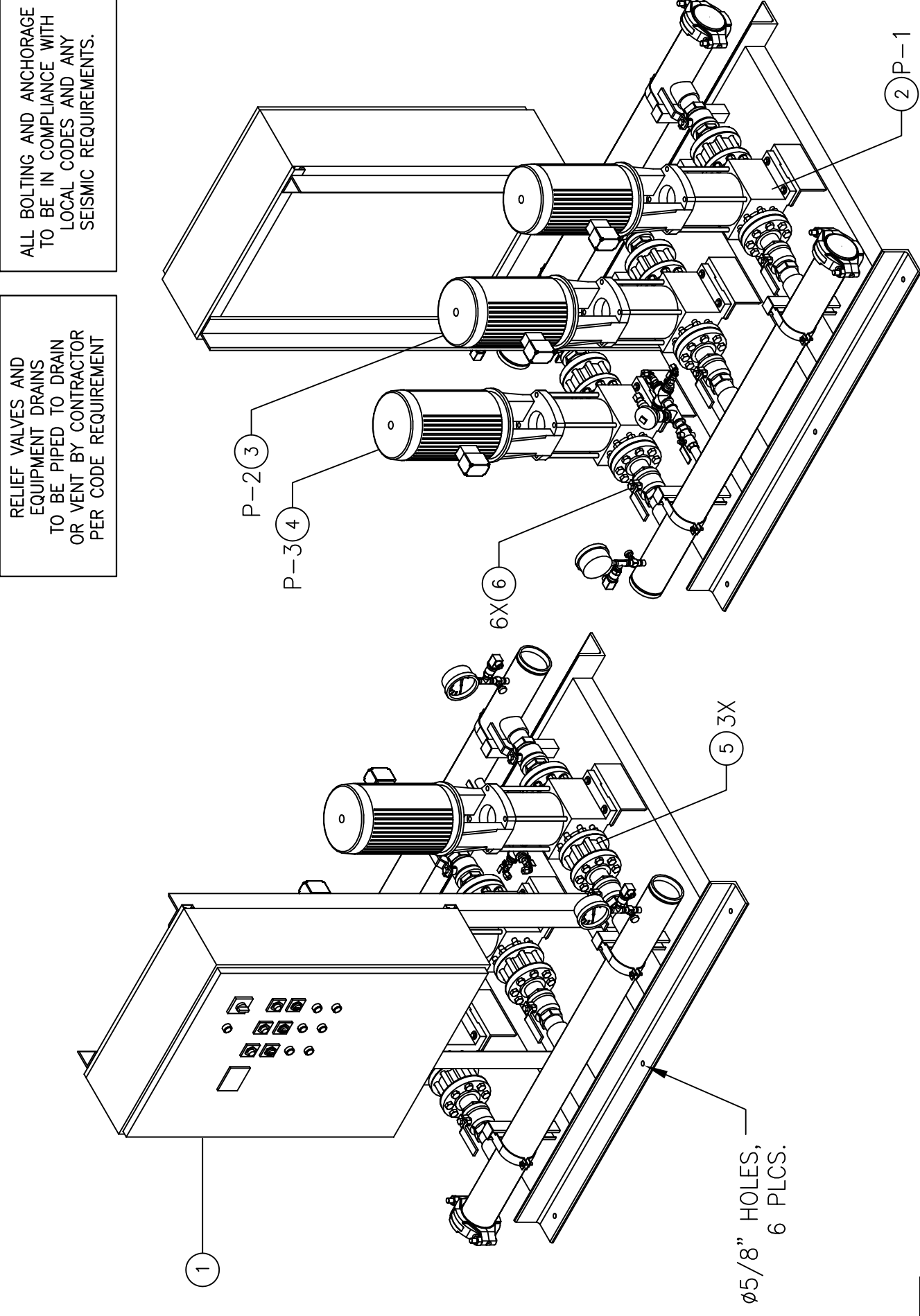
TOP VIEW



FRONT VIEW



RIGHT END VIEW



Ø5/8" HOLES, 6 PLCS.

CONSTRUCTION NOTES:

1. SUCTION AND DISCHARGE HEADERS ARE GROOVED ON BOTH ENDS.
2. END CAPS CAN BE PLACED ON EITHER END OF HEADERS.
3. SYSTEM DESIGNED FOR INDOOR INSTALLATION.

- GPM		- PSI		- PSI		- PSI	
TOTAL FLOW		TOTAL DISCHARGE PRESSURE		TOTAL SYSTEM CAPACITY		AVAILABLE PRESSURE	

ITEM	TAG	MANUFACTURER	SERIES	MODEL	GPM	TDH	HP	RPM	VOLTS/HZ/PH	ENCLOSURE
4	P-3	GOULDS	ESV	15SVG-4	-	-	7.5	3500	-	-
3	P-2	GOULDS	ESV	15SVG-4	-	-	7.5	3500	-	-
2	P-1	GOULDS	ESV	15SVG-4	-	-	7.5	3500	-	-

PUMP SCHEDULE

ITEM	QTY	TAG	DESCRIPTION
10	-	-	-
9	-	-	-
8	-	-	-
7	-	-	-
6	6	-	BALL VALVE - 2"
5	3	-	VAL-MATIC WAFER CHECK VALVE - 2"
4	1	P-3	GOULDS ESV MULTI-STAGE PUMP MODEL 15SVG-4
3	1	P-2	GOULDS ESV MULTI-STAGE PUMP MODEL 15SVG-4
2	1	P-1	GOULDS ESV MULTI-STAGE PUMP MODEL 15SVG-4
1	1	-	VARIABLE SPEED PUMP CONTROL PANEL

EQUIPMENT SCHEDULE

GENERAL NOTES:

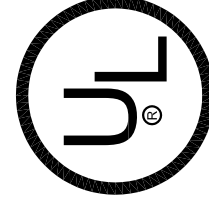
- (1) SINGLE POINT POWER CONNECTION AT CONTROL PANEL.
- (2) HYDRO PRESSURE CHECK AT 125 PSI.
- (3) ASSEMBLED SYSTEM TO BE PAINTED WITH INDUSTRIAL MACHINE ENAMEL PRIOR TO SHIPMENT.



= DENOTES CONTRACTOR POINT OF CONNECTION SHIPMENT.

THIS DRAWING AND THE INFORMATION DEPICTED THEREIN IS THE PROPERTY OF FLOWTHERM SYSTEMS, A DIVISION OF CHC. COPIES ARE ISSUED IN STRICT CONFIDENCE AND SHALL NOT BE REPRODUCED, COPIED, OR USED AS THE BASIS FOR FABRICATING OR INSTALLING ANY PRODUCT WITHOUT PRIOR WRITTEN PERMISSION OF CHC.

LISTED
PACKAGED PUMPING SYSTEMS
& HEAT TRANSFER SYSTEMS



APPROXIMATE SHIPPING WEIGHT: 1,254 LBS.
APPROXIMATE OPERATING WEIGHT: 1,300 LBS.

PROJECT NAME:

-

CUSTOMER:

-

DRAWN BY DATE: 02/11/14

02/11/14

CHECKED BY APPROVED BY

-

-

TOLERANCES UNLESS OTHERWISE SPECIFIED

-

DEC: .500"

FAC: 1/2"

ANGLE 5'

SIZE C

SCALE 1" = 1'

DRAWING No. -

FAB No. -

VARIABLE SPEED TRIPLEX PRESSURE BOOSTER

DRAWING TITLE:

-

HAYWARD, CALIFORNIA

systems

FlowTHERM

REV 1

FW3-6