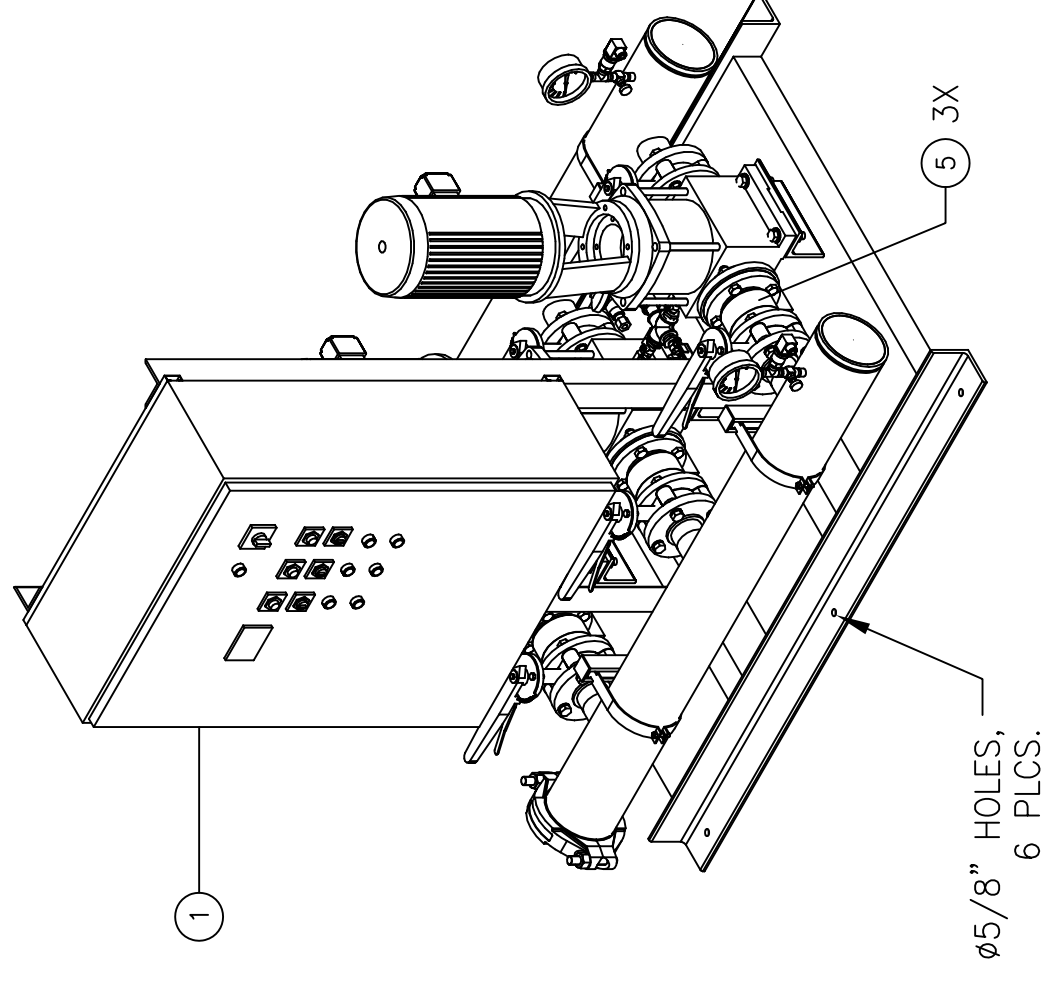
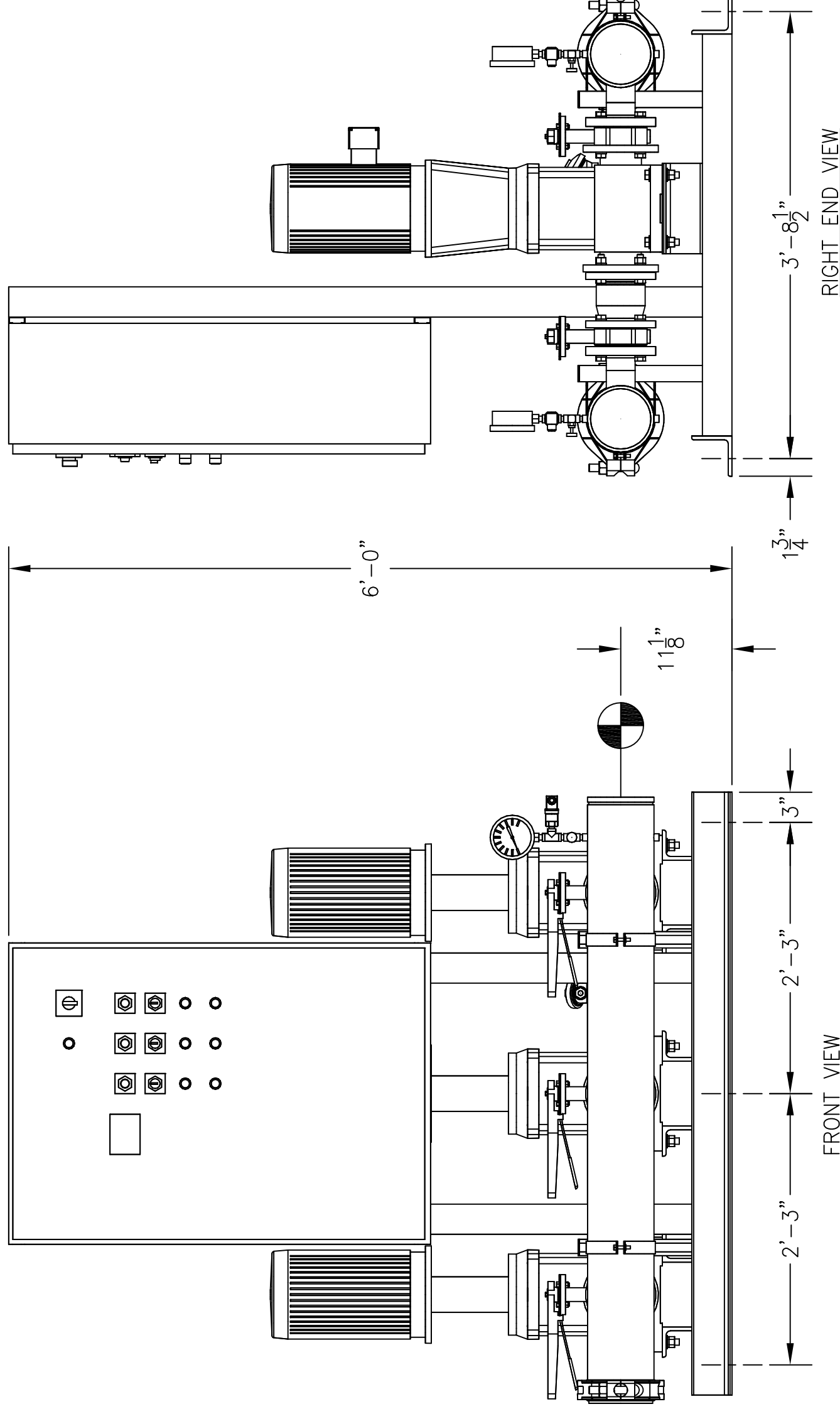


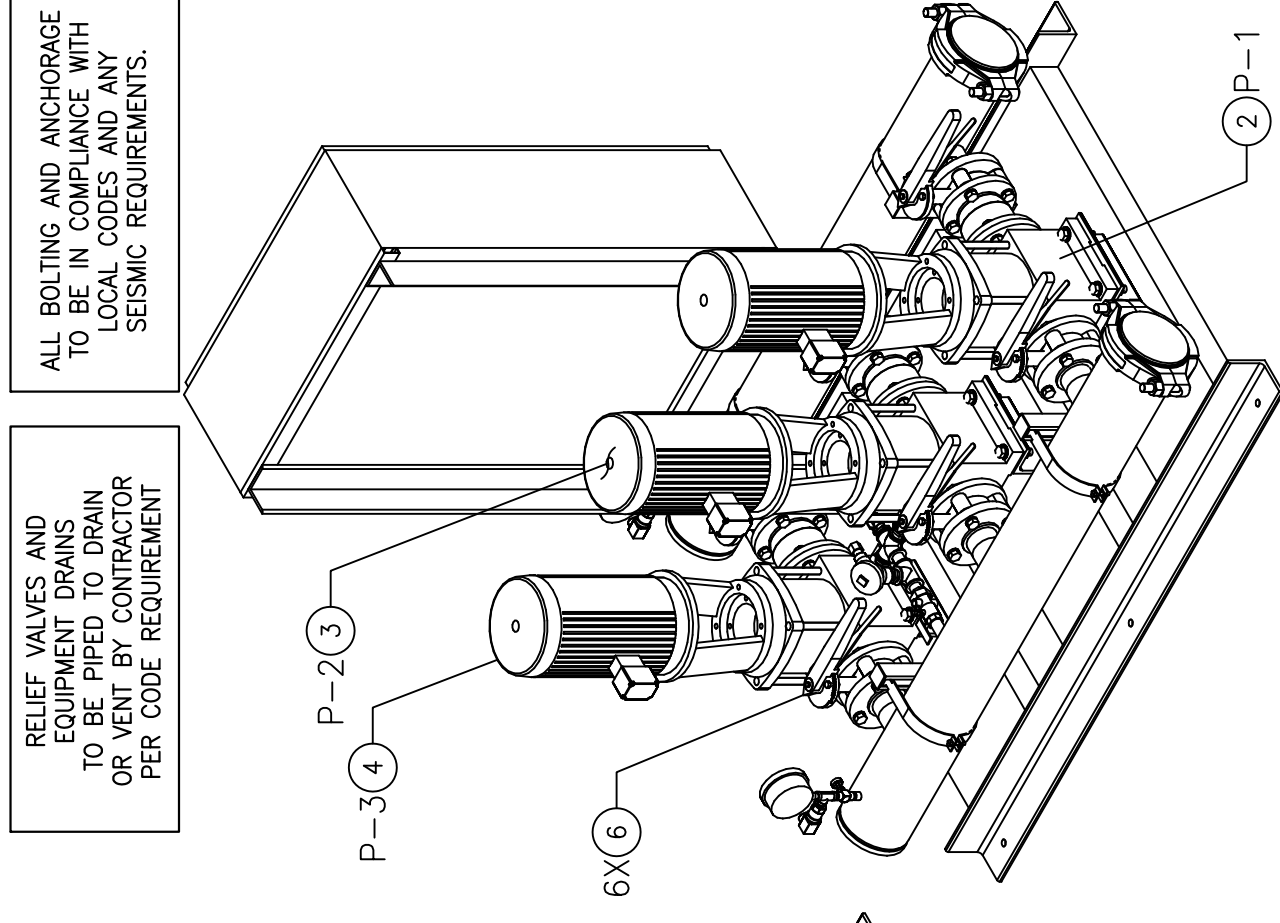
TOP VIEW



RIGHT END VIEW



FRONT VIEW



CONSTRUCTION NOTES:

1. SUCTION AND DISCHARGE HEADERS ARE GROOVED ON BOTH ENDS.
2. END CAPS CAN BE PLACED ON EITHER END OF HEADERS.
3. SYSTEM DESIGNED FOR INDOOR INSTALLATION.

- GPM		- PSI		- PSI						
TOTAL FLOW		TOTAL DISCHARGE PRESSURE		AVAILABLE PRESSURE						
TOTAL SYSTEM CAPACITY										
4	P-3	GOULDS	ESV	33SVG-2/2	-	7-1/2	3500	-		
3	P-2	GOULDS	ESV	33SVG-2/2	-	7-1/2	3500	-		
2	P-1	GOULDS	ESV	33SVG-2/2	-	7-1/2	3500	-		
ITEM	TAG	MANUFACTURER	SERIES	MODEL	GPM	TDH	HP	RPM	VOLTS/HZ/PH	ENCLOSURE

PUMP SCHEDULE										
ITEM	QTY	TAG	DESCRIPTION							
10	-	-	-							
9	-	-	-							
8	-	-	-							
7	-	-	-							
6	6	-	LUG TYPE BUTTERFLY VALVE - 2-1/2"							
5	3	-	VAL-MATIC GLOBE CHECK VALVE MODEL 1825 - 2-1/2"							
4	1	P-3	GOULDS ESV MULTI-STAGE PUMP MODEL 33SVG-2/2							
3	1	P-2	GOULDS ESV MULTI-STAGE PUMP MODEL 33SVG-2/2							
2	1	P-1	GOULDS ESV MULTI-STAGE PUMP MODEL 33SVG-2/2							
1	1	-	VARIABLE SPEED PUMP CONTROL PANEL							

GENERAL NOTES:

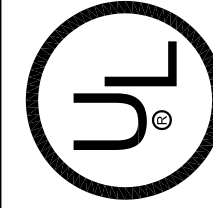
- (1) SINGLE POINT POWER CONNECTION AT CONTROL PANEL.
- (2) HYDRO PRESSURE CHECK AT 125 PSI.
- (3) ASSEMBLED SYSTEM TO BE PAINTED WITH INDUSTRIAL MACHINE ENAMEL PRIOR TO SHIPMENT.



= DENOTES CONTRACTOR POINT OF CONNECTION SHIPMENT.

THIS DRAWING AND THE INFORMATION DEPICTED THEREIN IS THE PROPERTY OF FLOWTHERM SYSTEMS, A DIVISION OF CHC. COPIES ARE ISSUED IN STRICT CONFIDENCE AND SHALL NOT BE REPRODUCED, COPIED, OR USED AS THE BASIS FOR FACTURING OR SALE OF ANY PRODUCT WITHOUT PRIOR WRITTEN PERMISSION OF CHC.

LISTED
PACKAGED PUMPING SYSTEMS
& HEAT TRANSFER SYSTEMS



APPROXIMATE SHIPPING WEIGHT: 1,741 LBS.
APPROXIMATE OPERATING WEIGHT: 1,922 LBS.

PROJECT NAME:

CUSTOMER:

DRAWN BY DATE: 02/11/14 CHECKED BY APPROVED BY

TOLERANCES UNLESS OTHERWISE SPECIFIED
DEC: .500" FRAC: 1/2" ANGLE: 5' SCALE: 1" = 1'



DRAWING TITLE:

VARIABLE SPEED TRIPLEX PRESSURE BOOSTER
HAYWARD, CALIFORNIA

FAB No. -
DRAWING No. FMV3-9

REV 1