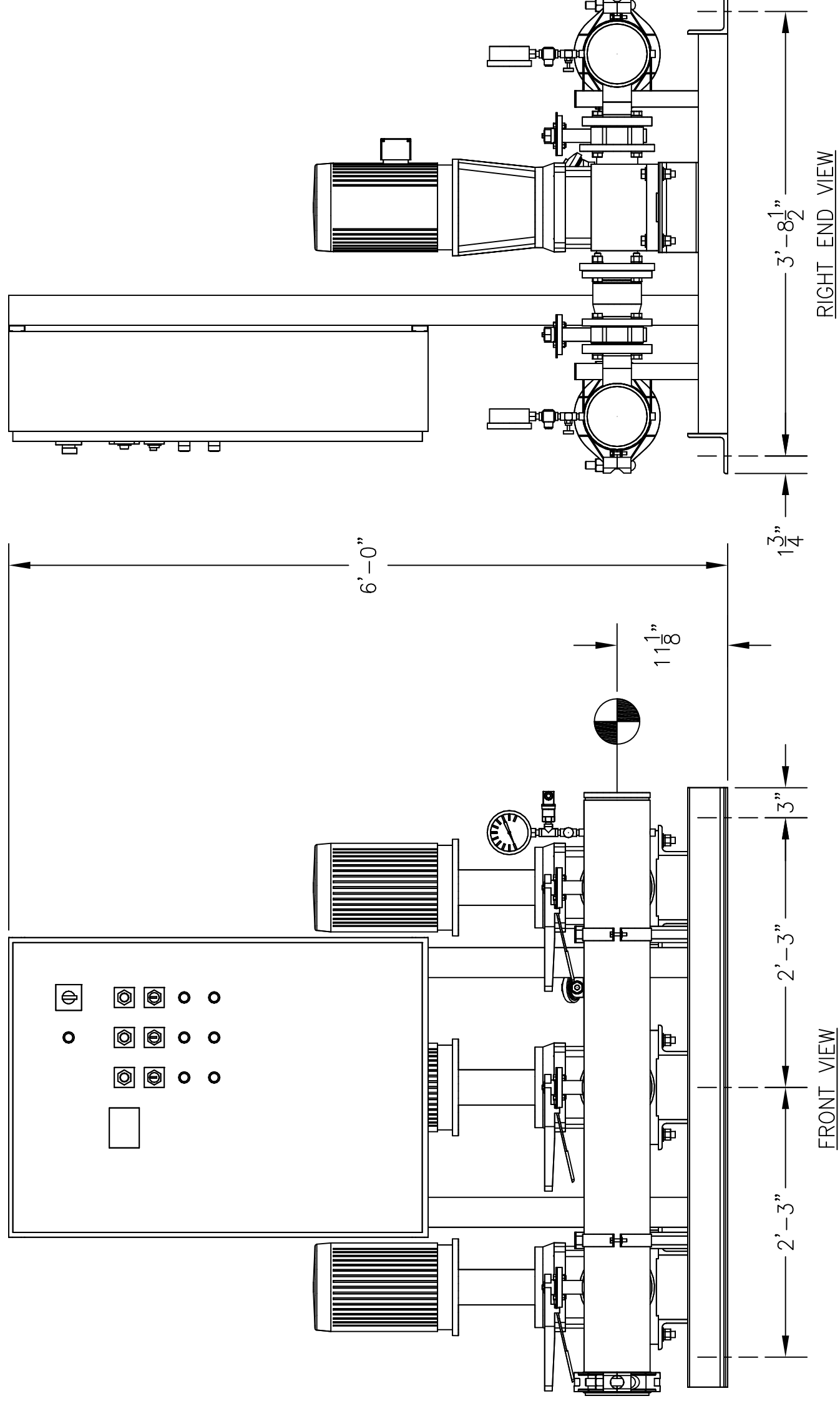
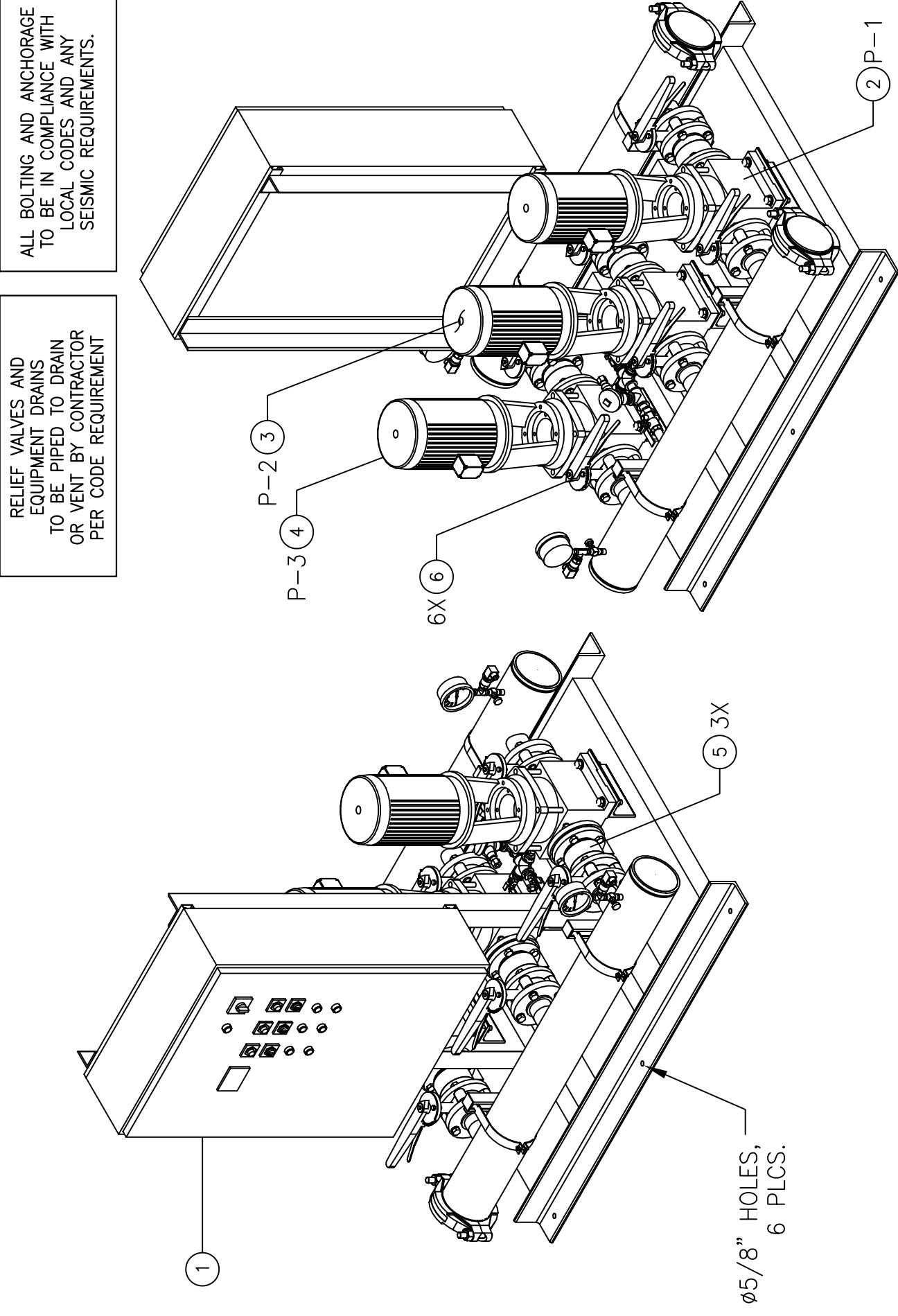


TOP VIEW



FRONT VIEW

RIGHT END VIEW



Ø5/8" HOLES, 6 PLCS.

CONSTRUCTION NOTES:

1. SUCTION AND DISCHARGE HEADERS ARE GROOVED ON BOTH ENDS.
2. END CAPS CAN BE PLACED ON EITHER END OF HEADERS.
3. SYSTEM DESIGNED FOR INDOOR INSTALLATION.

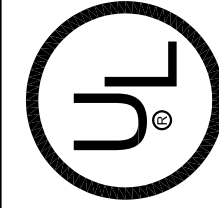
| - GPM | | - PSI | | - PSI | |
|------------|--------------------------|--------------------------|--------------------|-----------------------|--------------------|
| TOTAL FLOW | TOTAL DISCHARGE PRESSURE | TOTAL DISCHARGE PRESSURE | AVAILABLE PRESSURE | TOTAL SYSTEM CAPACITY | AVAILABLE PRESSURE |

| ITEM | QTY | TAG | MANUFACTURER | SERIES | MODEL | GPM | TDH | HP | RPM | VOLTS/HZ/PH | ENCLOSURE |
|------|-----|-----|--------------|--------|---------|-----|-----|----|------|-------------|-----------|
| 4 | P-3 | | GOULDS | ESV | 33SVG-1 | - | - | 5 | 3500 | - | - |
| 3 | P-2 | | GOULDS | ESV | 33SVG-1 | - | - | 5 | 3500 | - | - |
| 2 | P-1 | | GOULDS | ESV | 33SVG-1 | - | - | 5 | 3500 | - | - |

PUMP SCHEDULE

| ITEM | QTY | TAG | DESCRIPTION |
|------|-----|-----|---|
| 10 | - | - | |
| 9 | - | - | |
| 8 | - | - | |
| 7 | - | - | |
| 6 | 6 | | LUG TYPE BUTTERFLY VALVE - 2-1/2" |
| 5 | 3 | | VAL-MATIC GLOBE CHECK VALVE MODEL 1825 - 2-1/2" |
| 4 | 1 | P-3 | GOULDS ESV MULTI-STAGE PUMP MODEL 33SVG-1 |
| 3 | 1 | P-2 | GOULDS ESV MULTI-STAGE PUMP MODEL 33SVG-1 |
| 2 | 1 | P-1 | GOULDS ESV MULTI-STAGE PUMP MODEL 33SVG-1 |
| 1 | 1 | | VARIABLE SPEED PUMP CONTROL PANEL |

EQUIPMENT SCHEDULE



LISTED

PACKAGED PUMPING SYSTEMS & HEAT TRANSFER SYSTEMS

APPROXIMATE SHIPPING WEIGHT: 1,652 LBS.
APPROXIMATE OPERATING WEIGHT: 1,832 LBS.

THIS DRAWING AND THE INFORMATION DEPICTED THEREIN IS THE PROPERTY OF FLOWTHERM SYSTEMS, A DIVISION OF CHC. COPIES ARE ISSUED IN STRICT CONFIDENCE AND SHALL NOT BE REPRODUCED, COPIED, OR SOLE AS THE BASIS FOR CONTRACTING OR SALE OF PRODUCT WITHOUT PRIOR WRITTEN PERMISSION OF CHC.

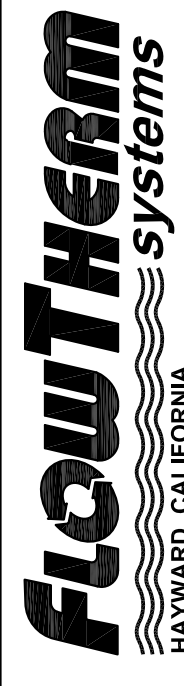
PROJECT NAME:

CUSTOMER:

DRAWN BY DATE: 02/11/14 CHECKED BY APPROVED BY

TOLERANCES UNLESS OTHERWISE SPECIFIED

DEC: .500" FRAC: 1/2" ANGLE: 5' SCALE: 1" = 1'



HAYWARD, CALIFORNIA

DRAWING TITLE: VARIABLE SPEED TRIPLEX PRESSURE BOOSTER

FAB No. - DRAWING No. FMV3-9LH

REV 1

GENERAL NOTES:

- (1) SINGLE POINT POWER CONNECTION AT CONTROL PANEL.
- (2) HYDRO PRESSURE CHECK AT 125 PSI.
- (3) ASSEMBLED SYSTEM TO BE PAINTED WITH INDUSTRIAL MACHINE ENAMEL PRIOR TO SHIPMENT.

○ = DENOTES CONTRACTOR POINT OF CONNECTION