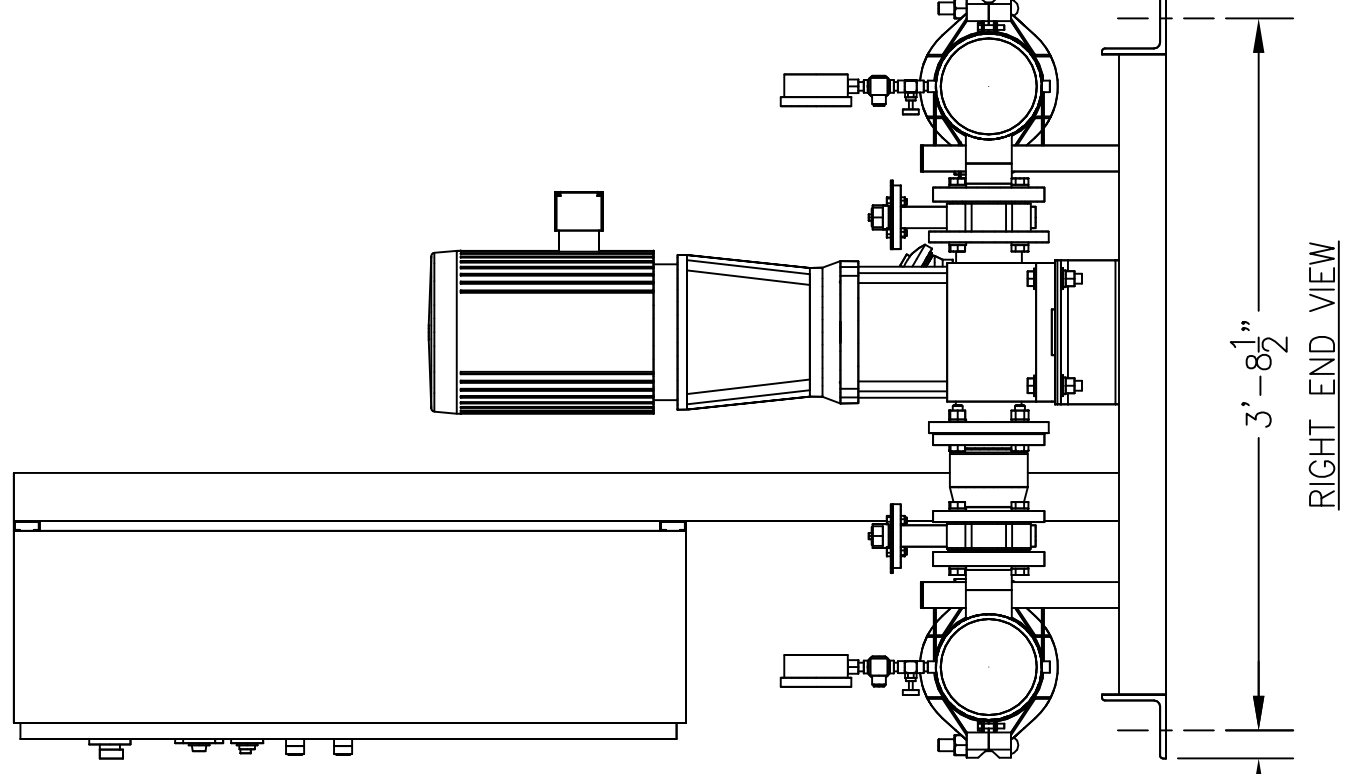
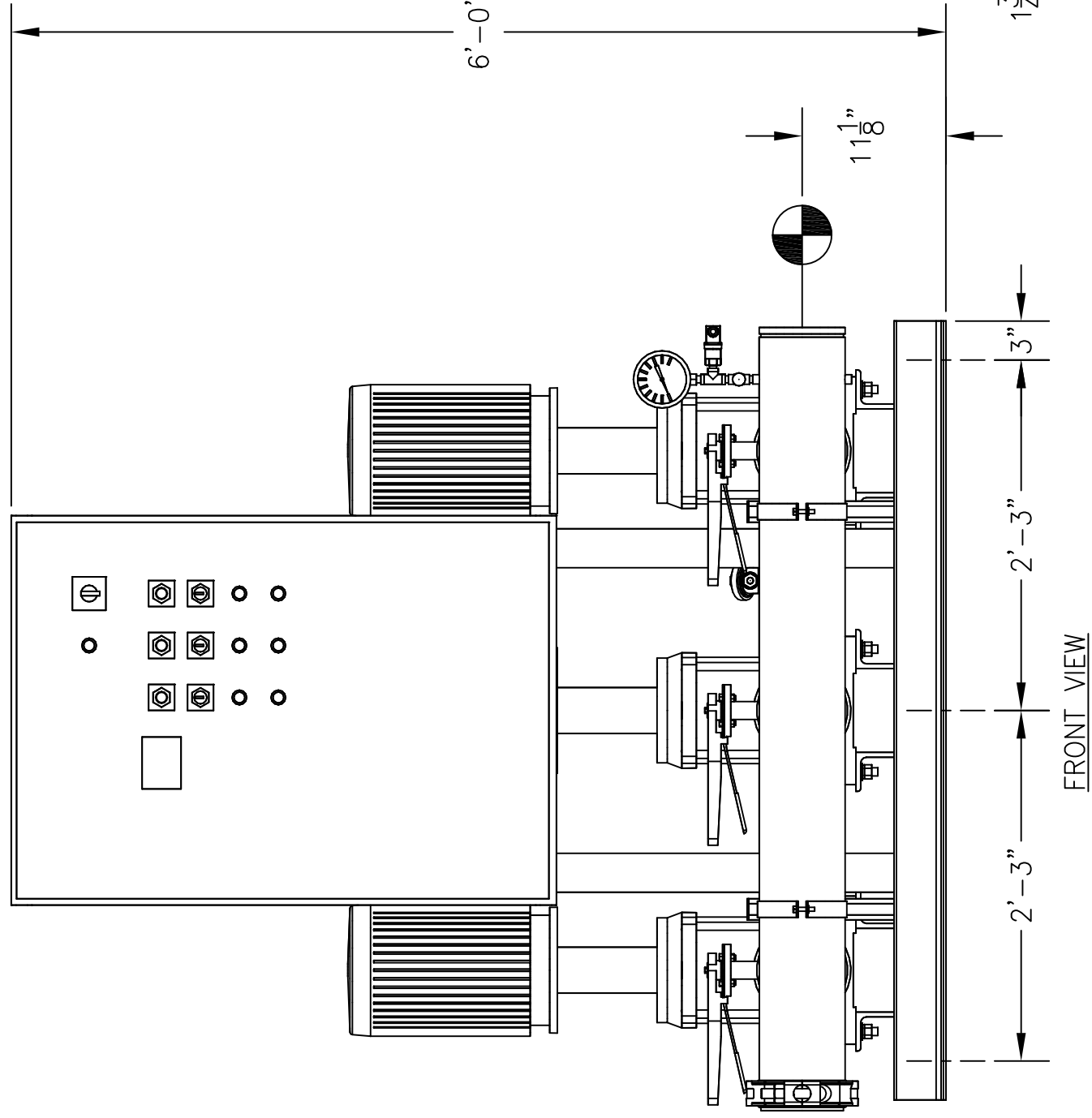
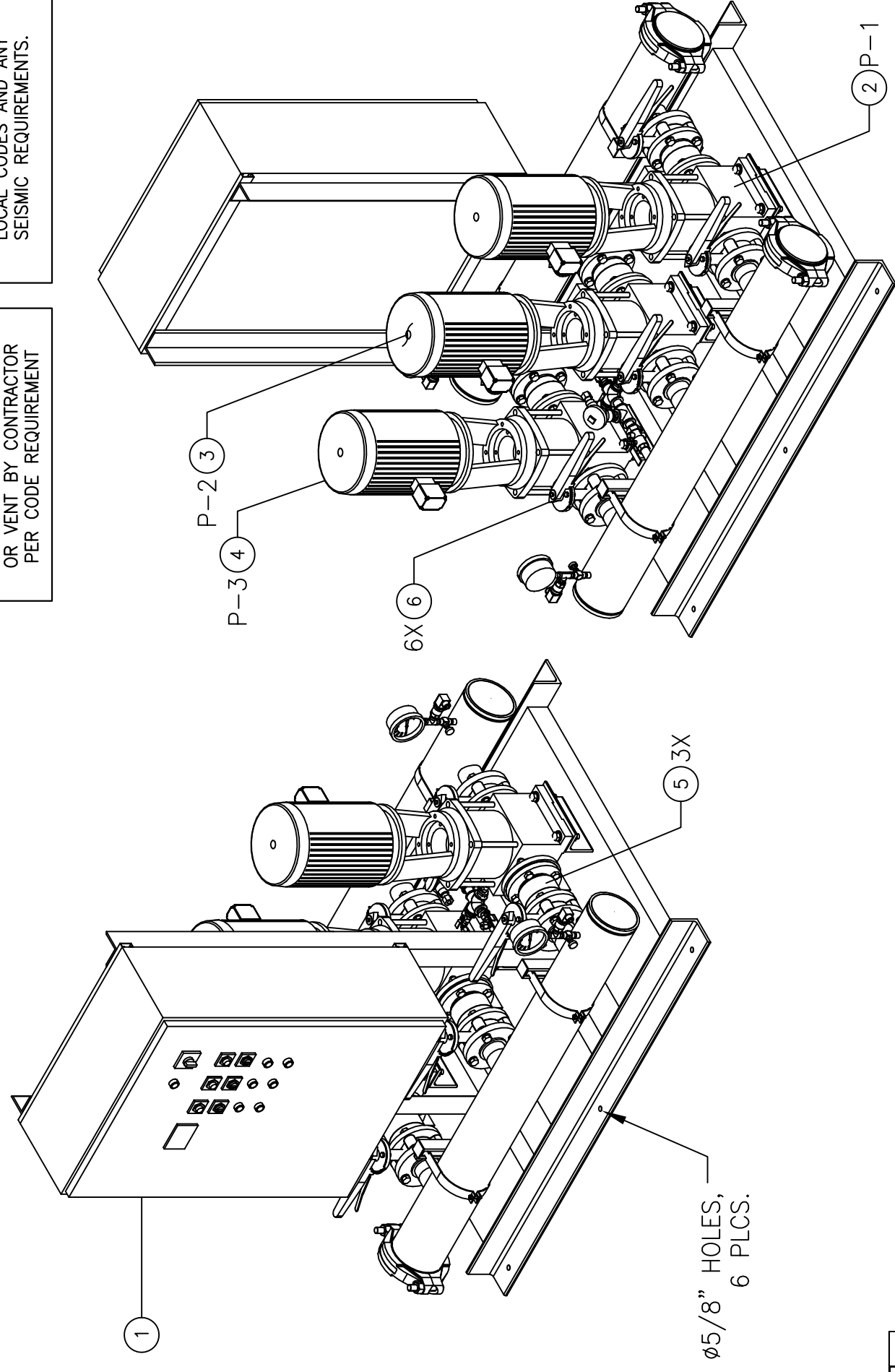


RELIEF VALVES AND EQUIPMENT DRAINS TO BE PIPIED TO DRAIN OR VENT BY CONTRACTOR PER CODE REQUIREMENT.

ALL BOLTING AND ANCHORAGE TO BE IN COMPLIANCE WITH LOCAL CODES AND ANY SEISMIC REQUIREMENTS.



CONSTRUCTION NOTES:

1. SUCTION AND DISCHARGE HEADERS ARE GROOVED ON BOTH ENDS.
2. END CAPS CAN BE PLACED ON EITHER END OF HEADERS.
3. SYSTEM DESIGNED FOR INDOOR INSTALLATION.

- GPM		- PSI		- PSI				
TOTAL FLOW		TOTAL DISCHARGE PRESSURE		AVAILABLE PRESSURE				
TOTAL SYSTEM CAPACITY								
4	P-3	GOULDS	ESV	33SVG-2	-	10	3500	-
3	P-2	GOULDS	ESV	33SVG-2	-	10	3500	-
2	P-1	GOULDS	ESV	33SVG-2	-	10	3500	-

ITEM	TAG	MANUFACTURER	SERIES	MODEL	GPM	TDH	HP	RPM	VOLTS/HZ/PH	ENCLOSURE
10	-	-	-	-	-	-	-	-	-	-
9	-	-	-	-	-	-	-	-	-	-
8	-	-	-	-	-	-	-	-	-	-
7	-	-	-	-	-	-	-	-	-	-
6	6	-	-	-	-	-	-	-	-	-
5	3	-	-	-	-	-	-	-	-	-
4	1	P-3	GOULDS	ESV MULTI-STAGE PUMP MODEL	33SVG-2	-	-	-	-	-
3	1	P-2	GOULDS	ESV MULTI-STAGE PUMP MODEL	33SVG-2	-	-	-	-	-
2	1	P-1	GOULDS	ESV MULTI-STAGE PUMP MODEL	33SVG-2	-	-	-	-	-
1	1	-	-	VARIABLE SPEED PUMP CONTROL PANEL	-	-	-	-	-	-

PUMP SCHEDULE

ITEM	QTY	TAG	DESCRIPTION
10	-	-	-
9	-	-	-
8	-	-	-
7	-	-	-
6	6	-	LUG TYPE BUTTERFLY VALVE - 2-1/2"
5	3	-	VAL-MATIC GLOBE CHECK VALVE MODEL 1825 - 2-1/2"
4	1	P-3	GOULDS ESV MULTI-STAGE PUMP MODEL 33SVG-2
3	1	P-2	GOULDS ESV MULTI-STAGE PUMP MODEL 33SVG-2
2	1	P-1	GOULDS ESV MULTI-STAGE PUMP MODEL 33SVG-2
1	1	-	VARIABLE SPEED PUMP CONTROL PANEL

GENERAL NOTES:

- (1) SINGLE POINT POWER CONNECTION AT CONTROL PANEL.
- (2) HYDRO PRESSURE CHECK AT 125 PSI.
- (3) ASSEMBLED SYSTEM TO BE PAINTED WITH INDUSTRIAL MACHINE ENAMEL PRIOR TO SHIPMENT.



= DENOTES CONTRACTOR POINT OF CONNECTION

PROJECT NAME:

-

CUSTOMER:

-

DRAWN BY DATE: 02/11/14 CHECKED BY APPROVED BY

ACD

TOLERANCES UNLESS OTHERWISE SPECIFIED

DEC: .500" FRAC: 1/2" ANGLE: 5' SCALE: 1" = 1'

SIZE: C

THIS DRAWING AND THE INFORMATION DEPICTED THEREIN IS THE PROPERTY OF FLOWTHERM SYSTEMS, A DIVISION OF CHC. COPIES ARE ISSUED IN STRICT CONFIDENCE AND SHALL NOT BE REPRODUCED, COPIED, OR USED AS THE BASIS FOR CONTRACTING OR SALE OF ANY PRODUCT WITHOUT PRIOR WRITTEN PERMISSION OF CHC.



LISTED

PACKAGED PUMPING SYSTEMS & HEAT TRANSFER SYSTEMS



APPROXIMATE SHIPPING WEIGHT: 1,863 LBS.

APPROXIMATE OPERATING WEIGHT: 2,044 LBS.

EQUIPMENT SCHEDULE

Flowtherm systems
HAYWARD, CALIFORNIA

DRAWING TITLE: VARIABLE SPEED TRIPLEX PRESSURE BOOSTER

FAB No. - DRAWING No. - REV 1

FW3-10