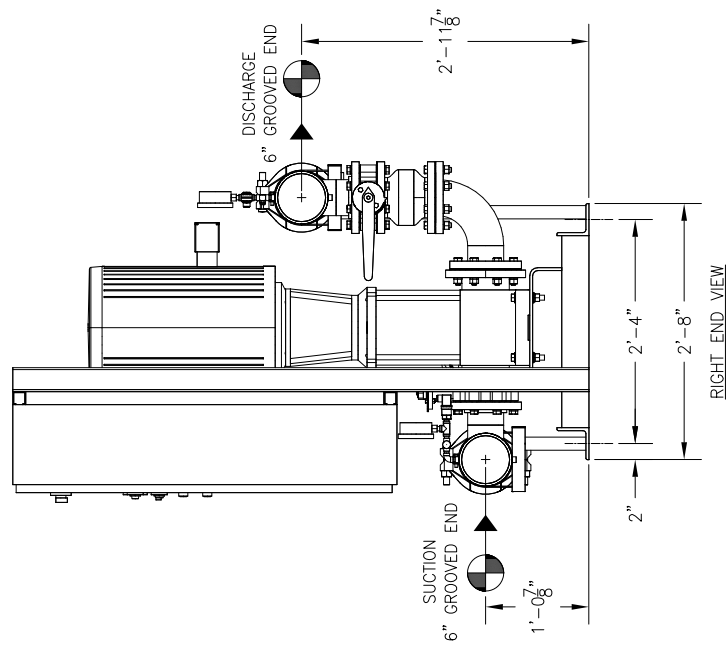
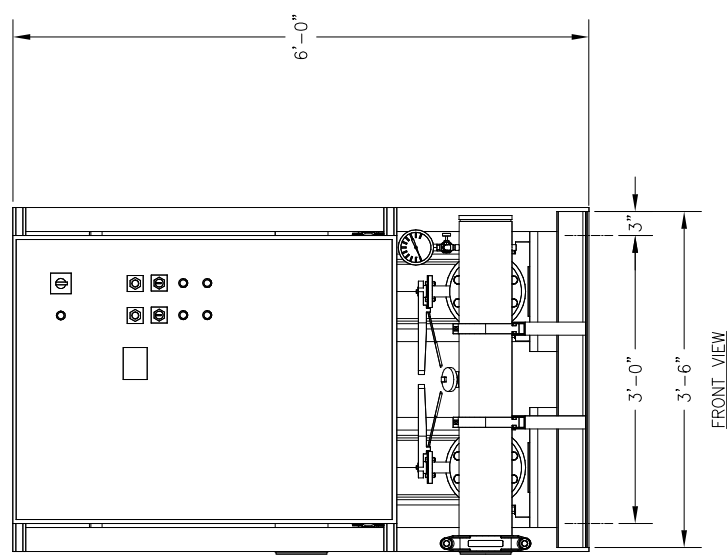
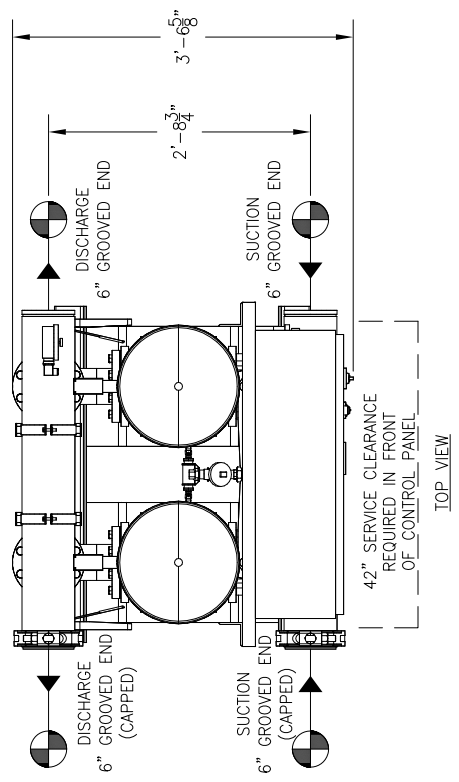
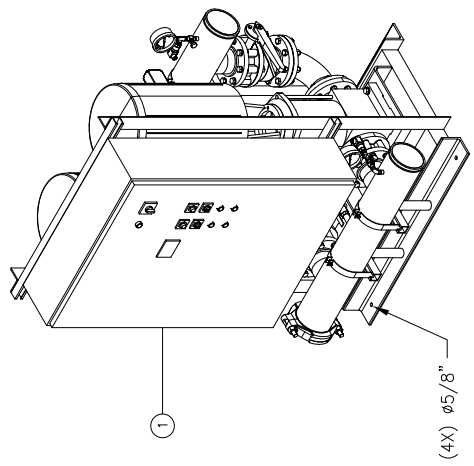
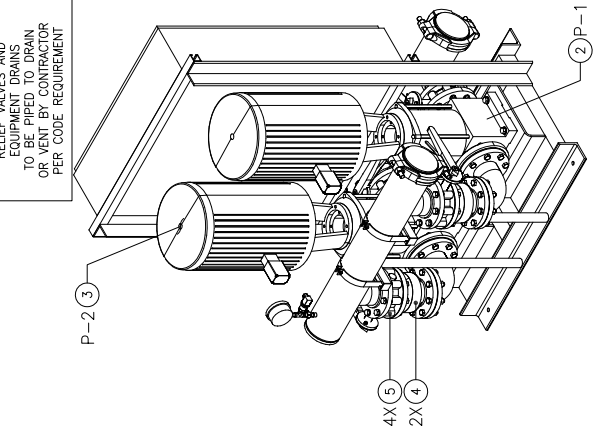


ALL BOLTING AND ANCHORAGE TO BE IN COMPLIANCE WITH LOCAL CODES AND ANY SEISMIC REQUIREMENTS.

RELIEF VALVES AND EQUIPMENT DRAINS TO BE PIPED TO DRAIN OR VENT BY CONTRACTOR PER CODE REQUIREMENT.



CONSTRUCTION NOTES:

- SUCTION AND DISCHARGE HEADERS ARE GROOVED ON BOTH ENDS.
- END CAPS CAN BE PLACED ON EITHER END OF HEADERS.
- SYSTEM DESIGNED FOR INDOOR INSTALLATION.

TOTAL FLOW		- PSI		- PSI		AVAILABLE PRESSURE		
TOTAL DISCHARGE PRESSURE		TOTAL SYSTEM CAPACITY						
3	P-2	GOULDS	ESV 66SVG-3/2	-	30	3500	460 / 60 / 3	TEFC P.E.
2	P-1	GOULDS	ESV 66SVG-3/2	-	30	3500	460 / 60 / 3	TEFC P.E.
ITEM	TAG	MANUFACTURER	SERIES	MODEL	GPM	TDH	HP	RPM
PUMP SCHEDULE								
10	-	-	-	-	-	-	-	-
9	-	-	-	-	-	-	-	-
8	-	-	-	-	-	-	-	-
7	-	-	-	-	-	-	-	-
6	-	-	-	-	-	-	-	-
5	4	-	-	LUG TYPE BUTTERFLY VALVE - 4"	-	-	-	-
4	2	-	-	VAL-MATIC GLOBE CHECK VALVE - 4"	-	-	-	-
3	1	P-2	GOULDS	ESV MULTISTAGE PUMP MODEL 66SVG-3/2	-	-	-	-
2	1	P-1	GOULDS	ESV MULTISTAGE PUMP MODEL 66SVG-3/2	-	-	-	-
1	1	-	-	AQUALOGIC XL CONTROL PANEL	-	-	-	-
ITEM	QTY	TAG	DESCRIPTION					

GENERAL NOTES:

- SINGLE POINT POWER CONNECTION AT CONTROL PANEL.
- HYDRO PRESSURE CHECK AT 125 PSI.
- ASSEMBLED SYSTEM TO BE PAINTED WITH INDUSTRIAL MACHINE ENAMEL PRIOR TO SHIPMENT.

= DENOTES CONTRACTOR POINT OF CONNECTION

UL LISTED
PACKAGED PUMPING SYSTEMS & HEAT TRANSFER SYSTEMS

APPROXIMATE SHIPPING WEIGHT: 2,494 LBS.
APPROXIMATE OPERATING WEIGHT: 2,641 LBS.

THIS DRAWING AND THE INFORMATION SPECIFIED THEREIN ARE THE PROPERTY OF FLOWTEAM SYSTEMS, A DIVISION OF CHC. COPIES ARE ISSUED IN STRICT CONFIDENCE AND SHALL NOT BE REPRODUCED OR TRANSMITTED IN ANY FORM OR BY ANY MEANS, ELECTRONIC OR MECHANICAL, INCLUDING PHOTOCOPYING, RECORDING, OR BY ANY INFORMATION STORAGE AND RETRIEVAL SYSTEM, WITHOUT THE WRITTEN PERMISSION OF CHC.

PROJECT NAME: _____
CUSTOMER: _____

DRAWN BY DATE: _____
ACD 04/03/18

CHECKED BY APPROVED BY: _____

TOLERANCES UNLESS OTHERWISE SPECIFIED:
DEC. .500"
FAC. 1/2"
ANG. 5"
SCALE 1" = 1'-0"

DRAWING NO. FMW.1-20-XL
FAB NO. _____
REVISION NO. 1

FlowTeam systems
HAYWARD, CALIFORNIA

EQUIPMENT SCHEDULE