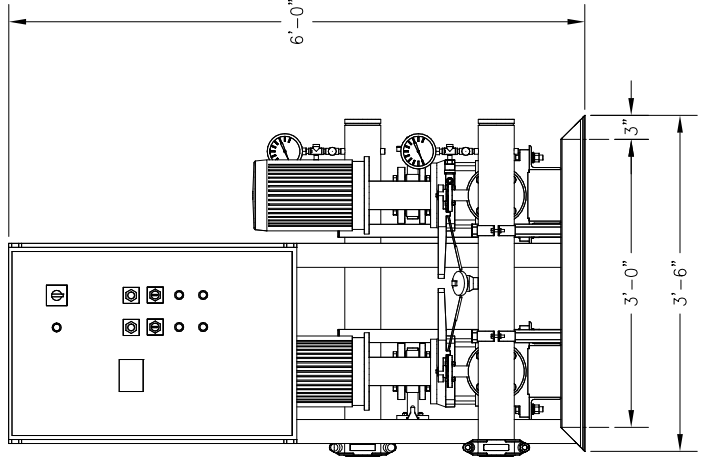
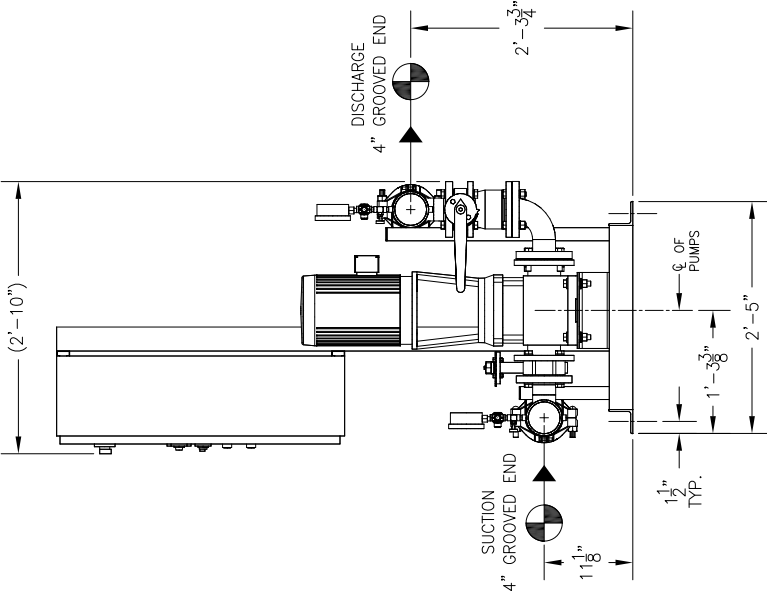
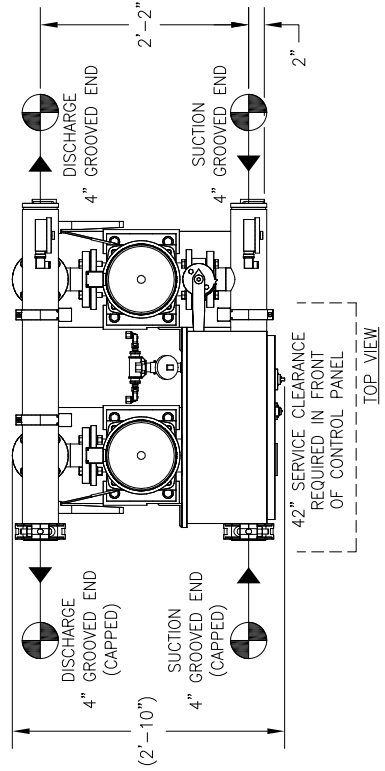
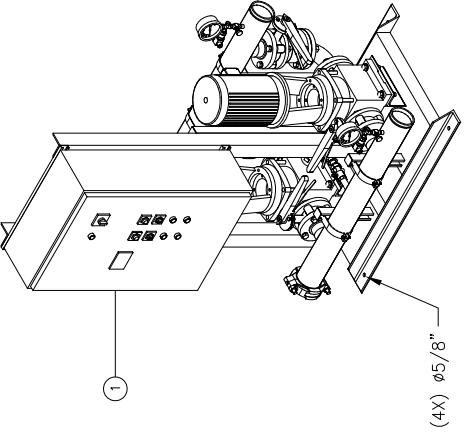
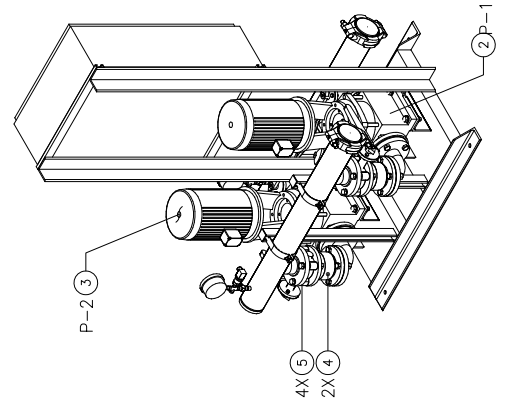


ALL BOLTING AND ANCHORAGE TO BE IN COMPLIANCE WITH LOCAL CODES AND ANY SEISMIC REQUIREMENTS.

RELIEF VALVES AND EQUIPMENT DRAINS TO BE PIPED TO DRAIN OR VENT BY CONTRACTOR PER CODE REQUIREMENT



CONSTRUCTION NOTES:  
 1. SUCTION AND DISCHARGE HEADERS ARE GROOVED ON BOTH ENDS.  
 2. END CAPS CAN BE PLACED ON EITHER END OF HEADERS.  
 3. SYSTEM DESIGNED FOR INDOOR INSTALLATION.

		- GPM	- PSI	- PSI	- PSI					
TOTAL FLOW		TOTAL DISCHARGE PRESSURE		AVAILABLE PRESSURE						
TOTAL SYSTEM CAPACITY										
3	P-2	60ULDS	ESV 335VG-1	-	5 3500 H60 / 60 / 3 TEFC P.E.					
2	P-1	60ULDS	ESV 335VG-2	-	5 3500 H60 / 60 / 3 TEFC P.E.					
ITEM	TAG	MANUFACTURER	SERIES	MODEL	GPM	TDH	HP	RPM	VOLTS/AHZ/PH	ENCLOSURE
PUMP SCHEDULE										
10	-	-	-	-	-	-	-	-	-	-
9	-	-	-	-	-	-	-	-	-	-
8	-	-	-	-	-	-	-	-	-	-
7	-	-	-	-	-	-	-	-	-	-
6	-	-	-	-	-	-	-	-	-	-
5	4	-	-	-	-	-	-	-	-	LUG TYPE BUTTERFLY VALVE - 2 1/2"
4	2	-	-	-	-	-	-	-	-	VAL-MATIC GLOBE CHECK VALVE - 2 1/2"
3	1	P-2	GOULDS	ESV MULTI-STAGE PUMP	MODEL	335VG-1	-	-	-	-
2	1	P-1	GOULDS	ESV MULTI-STAGE PUMP	MODEL	335VG-1	-	-	-	-
1	1	-	-	AQUALOGIC XL CONTROL PANEL	-	-	-	-	-	-
ITEM	QTY	TAG	DESCRIPTION							

PROJECT NAME: \_\_\_\_\_  
 CUSTOMER: \_\_\_\_\_  
 DRAWN BY DATE: 04/02/18  
 CHECKED BY APPROVED BY: \_\_\_\_\_  
 TOLERANCES UNLESS OTHERWISE SPECIFIED:  
 DEC. .500" 1/2"  
 FRA. 1/2"  
 ANGLE 5"  
 SIZE 1" = 1'-0"  
 SCALE 1" = 1'-0"  
 DRAWING NO. FWZ.1-9LH-XL  
 FAB NO. -  
 REV. 1

THIS DRAWING AND THE INFORMATION SPECIFIED THEREIN ARE THE PROPERTY OF FLOWTECH SYSTEMS, A DIVISION OF CHC. COPIES ARE ISSUED IN STRICT CONFIDENCE AND SHALL NOT BE LOANED, REPRODUCED, COPIED, OR USED IN ANY MANNER WITHOUT THE WRITTEN PERMISSION OF CHC.

**UL LISTED**  
 PACKAGED PUMPING SYSTEMS & HEAT TRANSFER SYSTEMS  
 APPROXIMATE SHIPPING WEIGHT: 1,091 LBS.  
 APPROXIMATE OPERATING WEIGHT: 1,151 LBS.

GENERAL NOTES:  
 (1) SINGLE POINT POWER CONNECTION AT CONTROL PANEL.  
 (2) HYDRO PRESSURE CHECK AT 125 PSI.  
 (3) ASSEMBLED SYSTEM TO BE PAINTED WITH INDUSTRIAL MACHINE ENAMEL PRIOR TO SHIPMENT.  
 = DENOTES CONTRACTOR POINT OF CONNECTION

