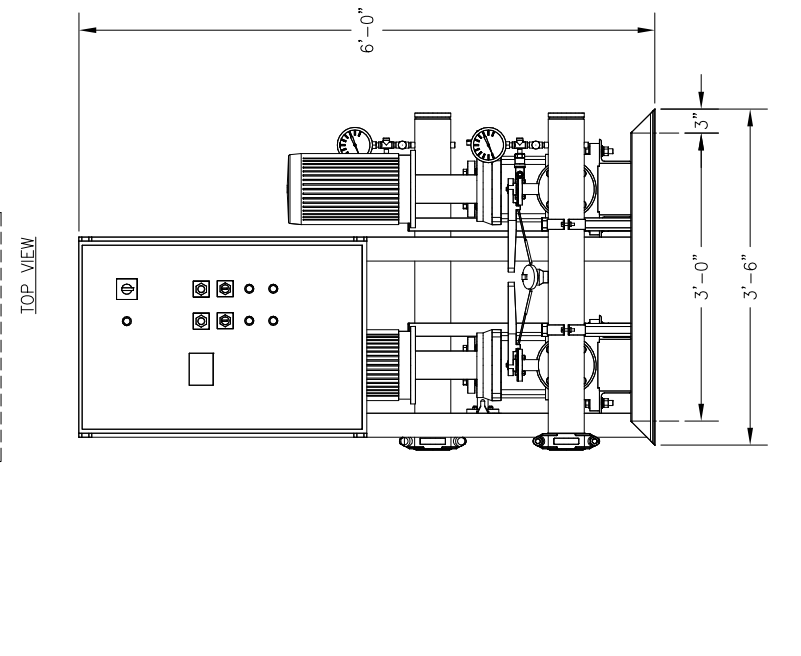
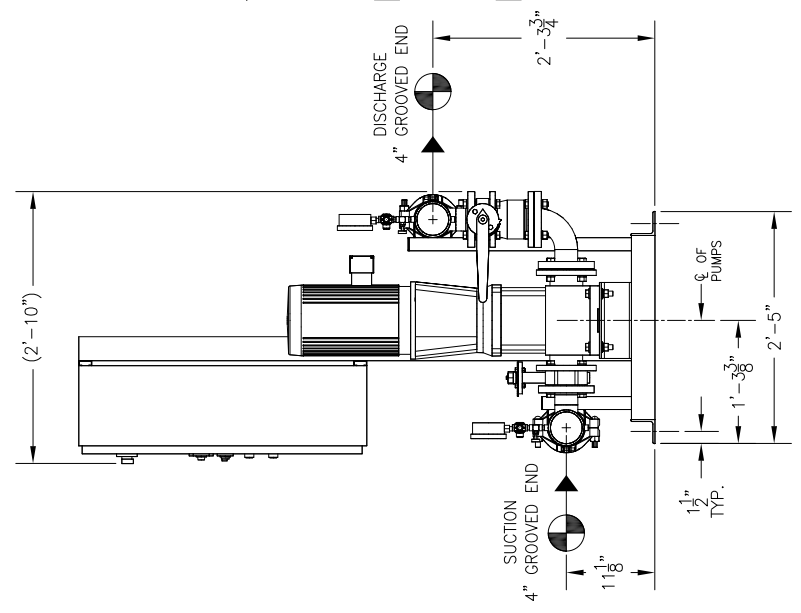
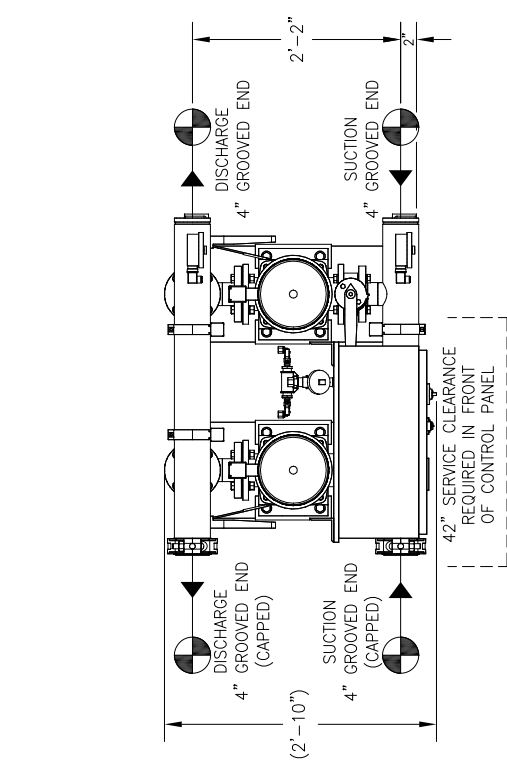
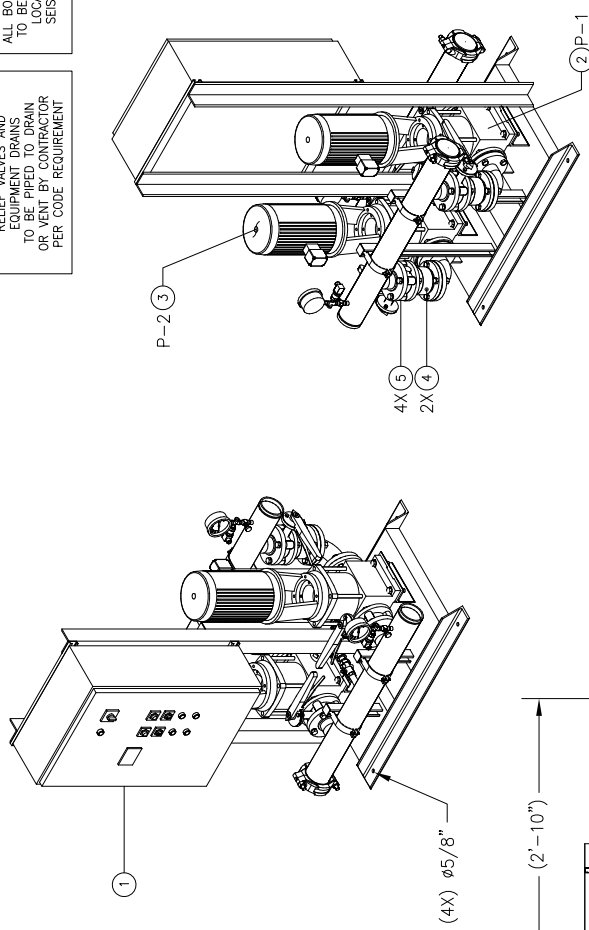


RELIEF VALVES AND ANCHORAGE EQUIPMENT DRAINS TO BE IN COMPLIANCE WITH LOCAL CODES AND ANY SEISMIC REQUIREMENTS.

RELIEF VALVES AND EQUIPMENT DRAINS TO BE PIPED TO DRAIN OR VENT BY CONTRACTOR PER CODE REQUIREMENTS.



CONSTRUCTION NOTES:
 1. SUCTION AND DISCHARGE HEADERS ARE GROOVED ON BOTH ENDS.
 2. END CAPS CAN BE PLACED ON EITHER END OF HEADERS.
 3. SYSTEM DESIGNED FOR INDOOR INSTALLATION.

TOTAL FLOW		- PSI		- PSI		- PSI				
TOTAL DISCHARGE PRESSURE		TOTAL SYSTEM CAPACITY		AVAILABLE PRESSURE		AVAILABLE PRESSURE				
3	P-2	60ULDS	ESV	335VG-2/2	-	7 1/2	3500	H60 / 60 / 3	TEFC P.E.	
2	P-1	60ULDS	ESV	335VG-2/2	-	7 1/2	3500	H60 / 60 / 3	TEFC P.E.	
ITEM	TAG	MANUFACTURER	SERIES	MODEL	GPM	TDH	HP	RPM	VOLTS/AZ/PH	ENCLOSURE
PUMP SCHEDULE										
10	-	-	-	-	-	-	-	-	-	-
9	-	-	-	-	-	-	-	-	-	-
8	-	-	-	-	-	-	-	-	-	-
7	-	-	-	-	-	-	-	-	-	-
6	-	-	-	-	-	-	-	-	-	-
5	4	-	-	-	-	-	-	-	-	LUG TYPE BUTTERFLY VALVE - 2 1/2"
4	2	-	-	-	-	-	-	-	-	VAL-MATIC GLOBE CHECK VALVE - 2 1/2"
3	1	P-2	GOULDS	ESV MULTI-STAGE PUMP	MODEL 335VG-2/2					
2	1	P-1	GOULDS	ESV MULTI-STAGE PUMP	MODEL 335VG-2/2					
1	1	-	-	-	-	-	-	-	-	AQUALOGIC XL CONTROL PANEL
ITEM	QTY	TAG	DESCRIPTION							

EQUIPMENT SCHEDULE	
PROJECT NAME:	
CUSTOMER:	
DRAWN BY DATE:	04/02/18
ACD	
CHECKED BY	APPROVED BY
TOLERANCES UNLESS OTHERWISE SPECIFIED	
DEC. :500"	SCALE: 1" = 1'-0"
FRAC. :1/2"	ANGLE :5°
SIZE :C	
FAB NO.:	FW2.1-9-XL
DRAWING NO.:	FW2.1-9-XL
REV	1

THIS DRAWING AND THE INFORMATION SPECIFIED THEREIN ARE THE PROPERTY OF FLOWTECH SYSTEMS, A DIVISION OF CHC. COPIES ARE ISSUED IN STRICT CONFIDENCE AND SHALL NOT BE REPRODUCED OR TRANSMITTED IN ANY FORM OR BY ANY MEANS, ELECTRONIC OR MECHANICAL, INCLUDING PHOTOCOPYING, RECORDING, OR BY ANY INFORMATION STORAGE AND RETRIEVAL SYSTEM, WITHOUT THE WRITTEN PERMISSION OF CHC.

LISTED
 PACKAGED PUMPING SYSTEMS & HEAT TRANSFER SYSTEMS

UL

APPROXIMATE SHIPPING WEIGHT: 1,151 LBS.
 APPROXIMATE OPERATING WEIGHT: 1,211 LBS.

GENERAL NOTES:
 (1) SINGLE POINT POWER CONNECTION AT CONTROL PANEL.
 (2) HYDRO PRESSURE CHECK AT 125 PSI.
 (3) ASSEMBLED SYSTEM TO BE PAINTED WITH INDUSTRIAL MACHINE ENAMEL PRIOR TO SHIPMENT.

= DENOTES CONTRACTOR POINT OF CONNECTION

FLOWTECH systems
 HAYWARD, CALIFORNIA