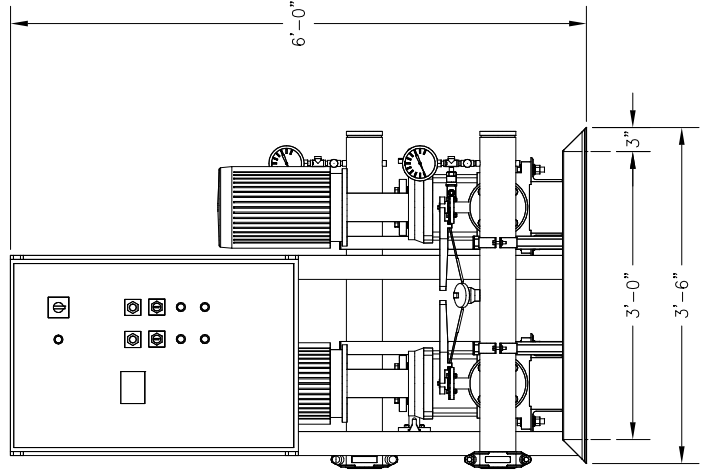
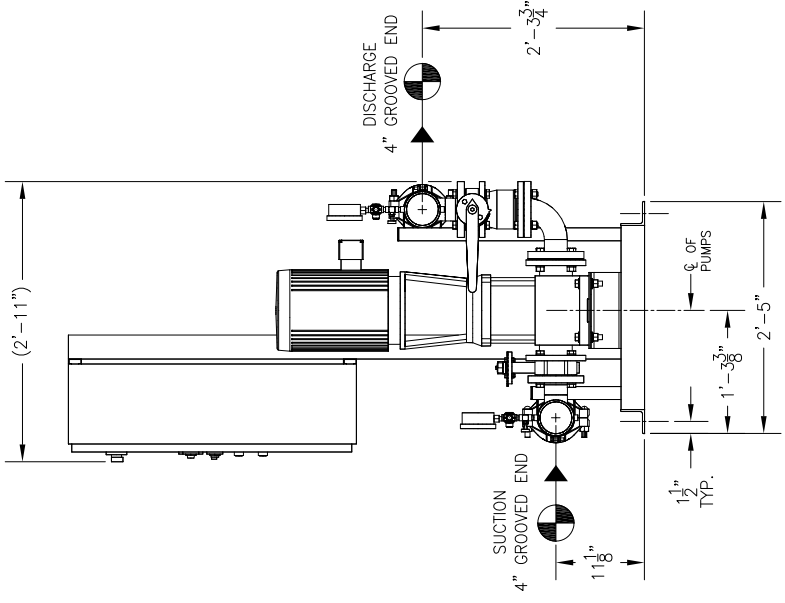
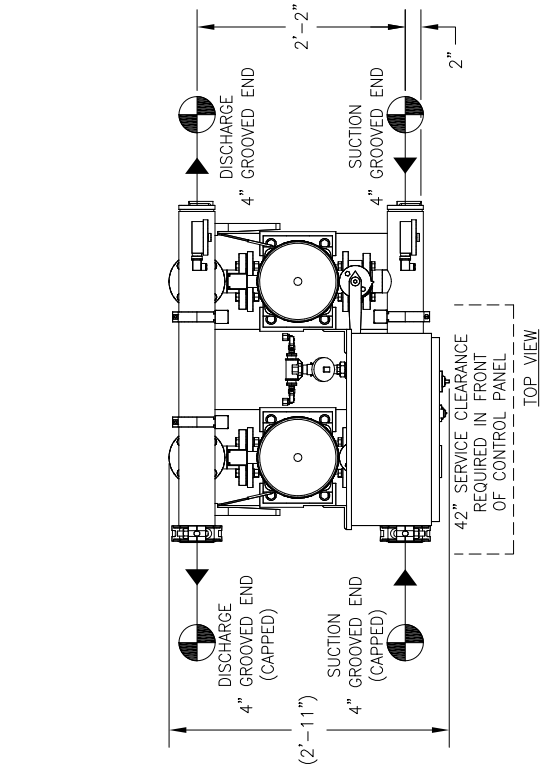
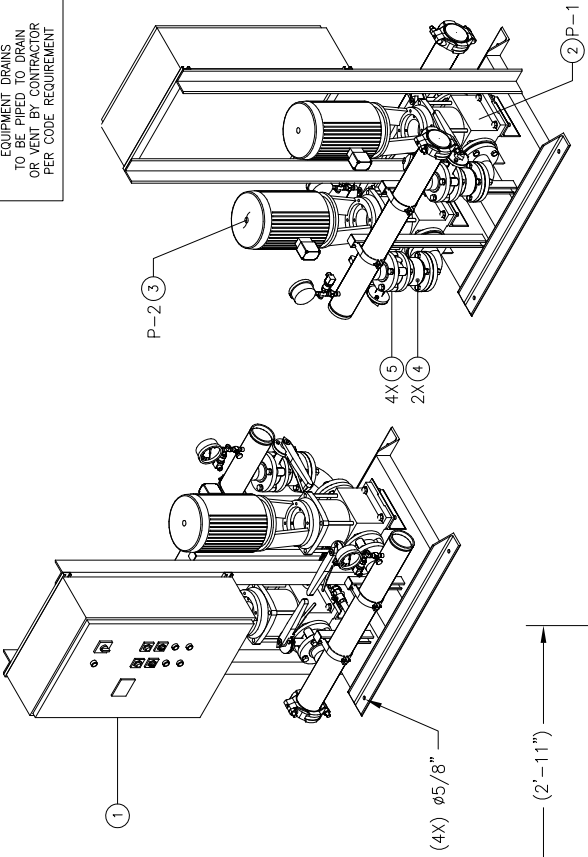


ALL BOLTING AND ANCHORAGE TO BE IN COMPLIANCE WITH LOCAL CODES AND ANY SEISMIC REQUIREMENTS.

RELIEF VALVES AND EQUIPMENT DRAINS TO BE PIPED TO DRAIN OR VENT BY CONTRACTOR PER CODE REQUIREMENT.



CONSTRUCTION NOTES:
 1. SUCTION AND DISCHARGE HEADERS ARE GROOVED ON BOTH ENDS.
 2. END CAPS CAN BE PLACED ON EITHER END OF HEADERS.
 3. SYSTEM DESIGNED FOR INDOOR INSTALLATION.

TOTAL FLOW		- PSI		- PSI		- PSI			
TOTAL DISCHARGE PRESSURE		TOTAL SYSTEM CAPACITY		AVAILABLE PRESSURE					
3	P-2	60ULDS	ESV	335VG-2	-	10	3500	H60 / 60 / 3	TEFC P.E.
2	P-1	60ULDS	ESV	335VG-2	-	10	3500	H60 / 60 / 3	TEFC P.E.
ITEM	TAG	MANUFACTURER	SERIES	MODEL	GPM	TDH	HP	RPM	ENCLOSURE
PUMP SCHEDULE									
10	-	-	-	-	-	-	-	-	-
9	-	-	-	-	-	-	-	-	-
8	-	-	-	-	-	-	-	-	-
7	-	-	-	-	-	-	-	-	-
6	-	-	-	-	-	-	-	-	-
5	4	-	-	-	-	-	-	-	LUG TYPE BUTTERFLY VALVE - 2 1/2"
4	2	-	-	-	-	-	-	-	VAL-MATIC GLOBE CHECK VALVE - 2 1/2"
3	1	P-2	GOULDS	ESV MULTI-STAGE PUMP	MODEL	335VG-2	-	-	-
2	1	P-1	GOULDS	ESV MULTI-STAGE PUMP	MODEL	335VG-2	-	-	-
1	1	-	AQUALOGIC	XL CONTROL PANEL	-	-	-	-	-
ITEM	QTY	TAG	DESCRIPTION						

FlowTherm systems
 HAYWARD, CALIFORNIA

PROJECT NAME: _____
 CUSTOMER: _____
 DRAWN BY DATE: _____
 ACD 04/02/18
 CHECKED BY APPROVED BY: _____
 TOLERANCES UNLESS OTHERWISE SPECIFIED

DEC. 500" 1/2"
 FRACTION 1/2"
 ANGLE 5"
 SCALE 1" = 1'-0"

DRAWING NO. _____
 FAB NO. _____
 REV 1

FWM2.1-10-XL - VARIABLE SPEED DUPLEX PRESSURE BOOSTER
 FHW2.1-10-XL

THIS DRAWING AND THE INFORMATION SPECIFIED THEREIN ARE THE PROPERTY OF FLOWTHERM SYSTEMS, A DIVISION OF CHC. COPIES ARE ISSUED IN STRICT CONFIDENCE AND SHALL NOT BE REPRODUCED OR TRANSMITTED IN ANY MANNER WITHOUT PRIOR WRITTEN PERMISSION OF CHC.

UL LISTED
 PACKAGED PUMPING SYSTEMS & HEAT TRANSFER SYSTEMS

APPROXIMATE SHIPPING WEIGHT: 1,232 LBS.
 APPROXIMATE OPERATING WEIGHT: 1,292 LBS.

GENERAL NOTES:
 (1) SINGLE POINT POWER CONNECTION AT CONTROL PANEL.
 (2) HYDRO PRESSURE CHECK AT 125 PSI.
 (3) ASSEMBLED SYSTEM TO BE PAINTED WITH INDUSTRIAL MACHINE ENAMEL PRIOR TO SHIPMENT.

= DENOTES CONTRACTOR POINT OF CONNECTION