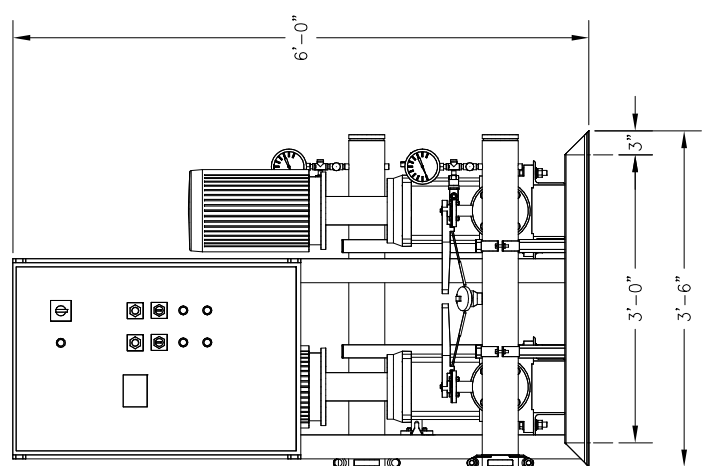
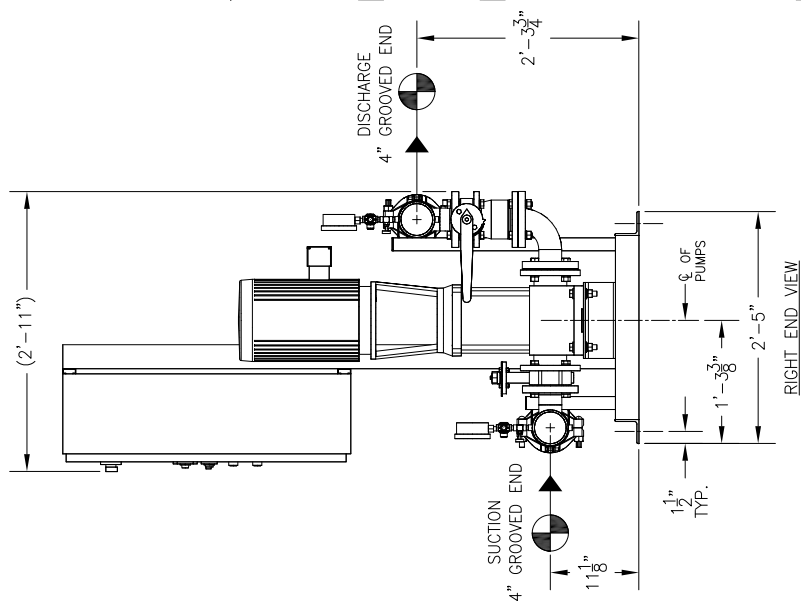
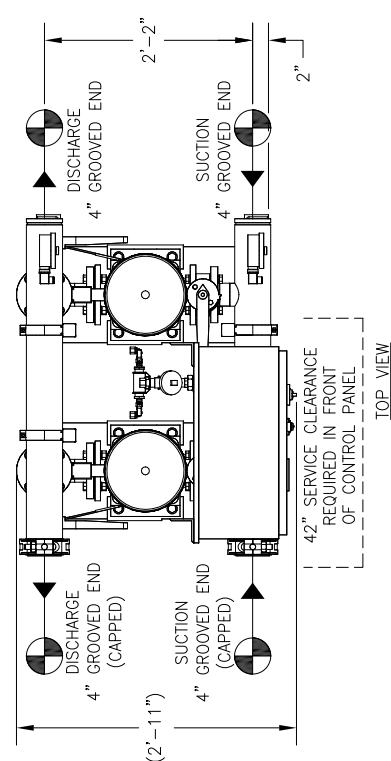
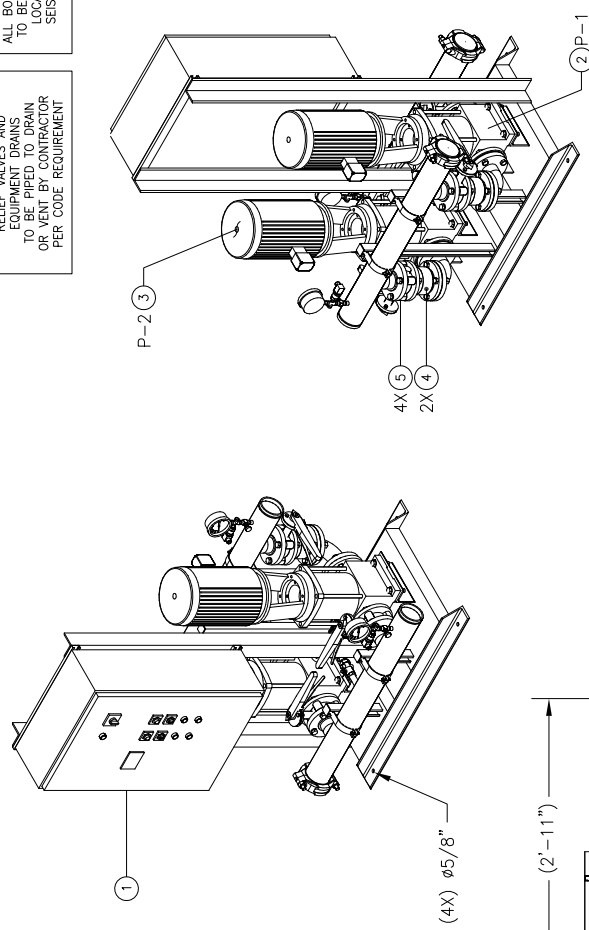


RELIEF VALVES AND ANCHORAGE EQUIPMENT DRAINS TO BE IN COMPLIANCE WITH LOCAL CODES AND ANY SEISMIC REQUIREMENTS.

RELIEF VALVES AND ANCHORAGE EQUIPMENT DRAINS TO BE PIPED TO DRAIN OR VENT BY CONTRACTOR PER CODE REQUIREMENT.



CONSTRUCTION NOTES:
 1. SUCTION AND DISCHARGE HEADERS ARE GROOVED ON BOTH ENDS.
 2. END CAPS CAN BE PLACED ON EITHER END OF HEADERS.
 3. SYSTEM DESIGNED FOR INDOOR INSTALLATION.

TOTAL FLOW		- PSI		- PSI		- PSI	
TOTAL DISCHARGE PRESSURE		TOTAL SYSTEM CAPACITY		AVAILABLE PRESSURE			
3	P-2	60ULDS	ESV	335VG-3	-	15	3500 H60 / 60 / 3
2	P-1	60ULDS	ESV	335VG-3	-	15	3500 H60 / 60 / 3
ITEM	TAG	MANUFACTURER	SERIES	MODEL	GPM	TDH	HP
PUMP SCHEDULE							
10	-	-	-	-	-	-	-
9	-	-	-	-	-	-	-
8	-	-	-	-	-	-	-
7	-	-	-	-	-	-	-
6	-	-	-	-	-	-	-
5	4	-	-	-	-	-	-
4	2	-	-	-	-	-	-
3	1	P-2	GOULDS	ESV MULTI-STAGE PUMP MODEL 335VG-3			
2	1	P-1	GOULDS	ESV MULTI-STAGE PUMP MODEL 335VG-3			
1	1	-	AQUALOGIC XL	CONTROL PANEL			
ITEM	QTY	TAG	DESCRIPTION				

FlowTherm systems
 HAYWARD, CALIFORNIA

PROJECT NAME: _____
 CUSTOMER: _____
 DRAWN BY DATE: 04/02/18
 CHECKED BY APPROVED BY: _____
 TOLERANCES UNLESS OTHERWISE SPECIFIED:
 DEC. .500" FRACTION 1/2" ANGLE 5" SCALE 1" = 1'-0"

THIS DRAWING AND THE INFORMATION SPECIFIED THEREIN IS THE PROPERTY OF FLOWTHERM SYSTEMS, A DIVISION OF CHC. COPIES ARE ISSUED IN STRICT CONFIDENCE AND SHALL NOT BE REPRODUCED OR TRANSMITTED IN ANY FORM OR BY ANY MEANS, ELECTRONIC OR MECHANICAL, INCLUDING PHOTOCOPYING, RECORDING, OR BY ANY INFORMATION STORAGE AND RETRIEVAL SYSTEM, WITHOUT THE WRITTEN PERMISSION OF CHC.

LISTED
 PACKAGED PUMPING SYSTEMS & HEAT TRANSFER SYSTEMS

APPROXIMATE SHIPPING WEIGHT: 1,413 LBS.
 APPROXIMATE OPERATING WEIGHT: 1,472 LBS.

GENERAL NOTES:
 (1) SINGLE POINT POWER CONNECTION AT CONTROL PANEL.
 (2) HYDRO PRESSURE CHECK AT 125 PSI.
 (3) ASSEMBLED SYSTEM TO BE PAINTED WITH INDUSTRIAL MACHINE ENAMEL PRIOR TO SHIPMENT.

= DENOTES CONTRACTOR POINT OF CONNECTION

REVISIONS:
 REV. NO. DRAWING NO. FMW2.1-11-XL
 1 1