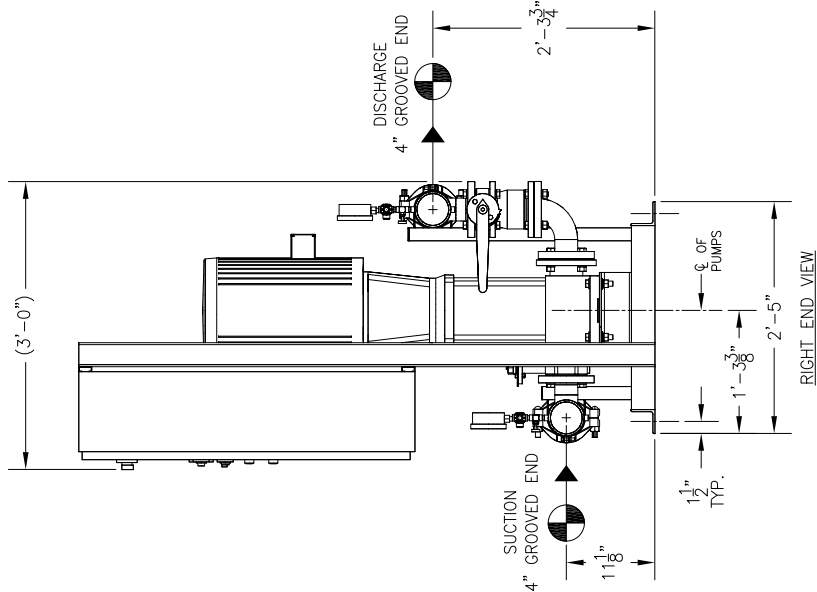
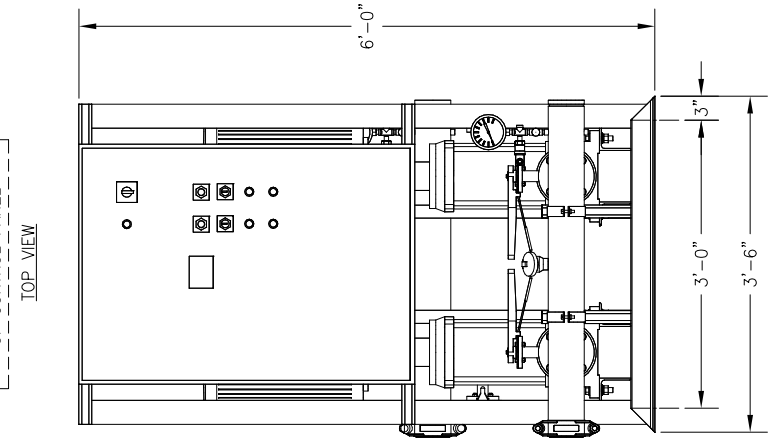
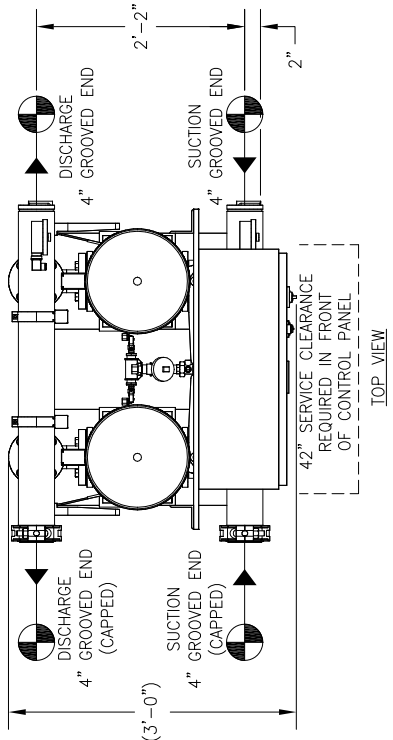
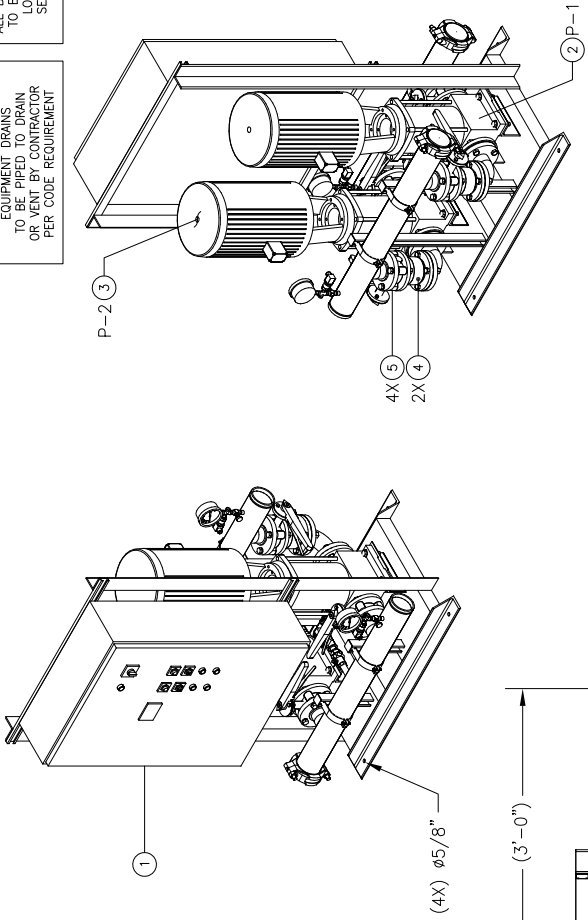


RELIEF VALVES AND ANCHORAGE EQUIPMENT DRAINS TO BE IN COMPLIANCE WITH LOCAL CODES AND ANY SEISMIC REQUIREMENTS.

RELIEF VALVES AND EQUIPMENT DRAINS TO BE PIPED TO DRAIN OR VENT BY CONTRACTOR PER CODE REQUIREMENT.



CONSTRUCTION NOTES:
 1. SUCTION AND DISCHARGE HEADERS ARE GROOVED ON BOTH ENDS.
 2. END CAPS CAN BE PLACED ON EITHER END OF HEADERS.
 3. SYSTEM DESIGNED FOR INDOOR INSTALLATION.

TOTAL FLOW		- PSI		- PSI		- PSI	
TOTAL DISCHARGE PRESSURE		TOTAL SYSTEM CAPACITY		AVAILABLE PRESSURE			
3	P-2	60ULDS	ESV	335VG-4	-	20	3500
2	P-1	60ULDS	ESV	335VG-4	-	20	3500
ITEM	TAG	MANUFACTURER	SERIES	MODEL	GPM	TDH	HP
PUMP SCHEDULE							
10	-	-	-	-	-	-	-
9	-	-	-	-	-	-	-
8	-	-	-	-	-	-	-
7	-	-	-	-	-	-	-
6	-	-	-	-	-	-	-
5	4	-	-	-	-	-	-
4	2	-	-	-	-	-	-
3	1	P-2	GOULDS	ESV MULTI-STAGE PUMP MODEL 335VG-4			
2	1	P-1	GOULDS	ESV MULTI-STAGE PUMP MODEL 335VG-4			
1	1	-	-	AQUALOGIC XL CONTROL PANEL			
ITEM	QTY	TAG	DESCRIPTION				

GENERAL NOTES:
 (1) SINGLE POINT POWER CONNECTION AT CONTROL PANEL.
 (2) HYDRO PRESSURE CHECK AT 125 PSI.
 (3) ASSEMBLED SYSTEM TO BE PAINTED WITH INDUSTRIAL MACHINE ENAMEL PRIOR TO SHIPMENT.

UL LISTED
 PACKAGED PUMPING SYSTEMS & HEAT TRANSFER SYSTEMS

APPROXIMATE SHIPPING WEIGHT: 1,630 LBS.
 APPROXIMATE OPERATING WEIGHT: 1,690 LBS.

PROJECT NAME: _____
CUSTOMER: _____
DRAWN BY DATE: ACD 04/02/18
CHECKED BY APPROVED BY: _____
TOLERANCES UNLESS OTHERWISE SPECIFIED:
 DEC. .500" FRACTION 1/2" ANGLE 5" SCALE 1" = 1'-0"

EQUIPMENT SCHEDULE

FLOWTECH systems
 HAYWARD, CALIFORNIA

DRAWING TITLE: FMW2.1-12-XL - VARIABLE SPEED DUPLEX PRESSURE BOOSTER
 DRAWING NO. FMW2.1-12-XL
 REV 1