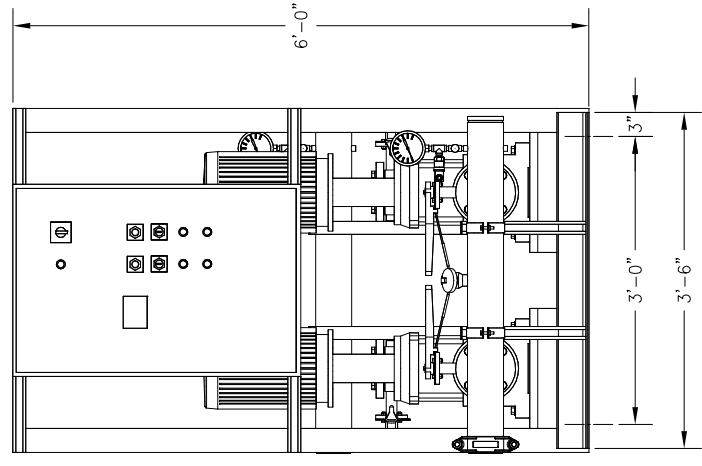
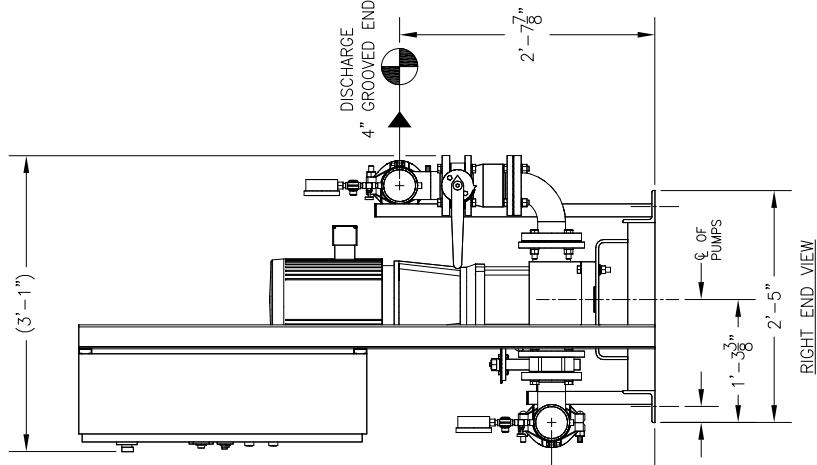
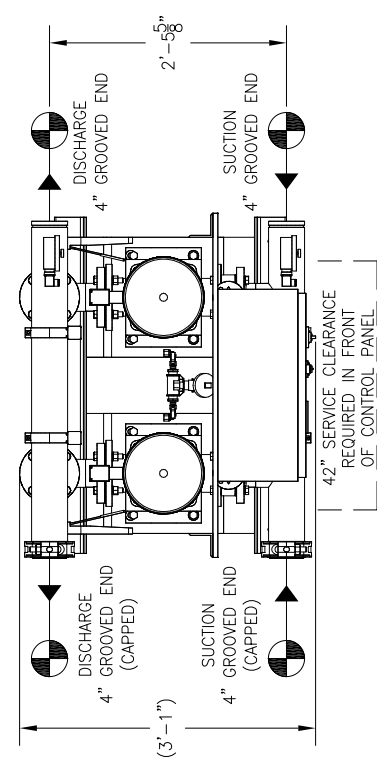
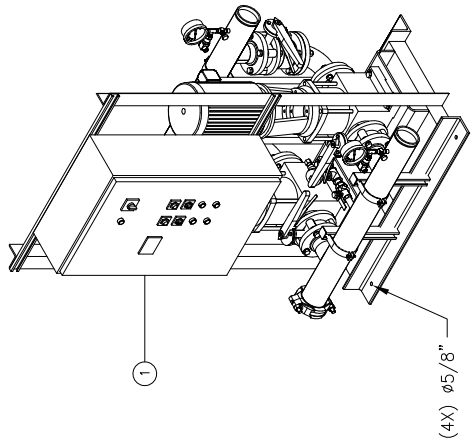
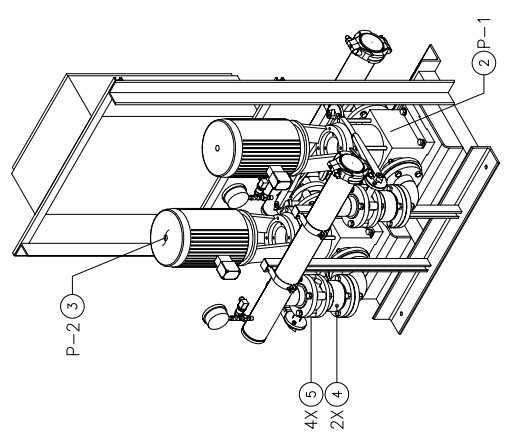


ALL BOLTING AND ANCHORAGE TO BE IN COMPLIANCE WITH LOCAL CODES AND ANY SEISMIC REQUIREMENTS.

RELIEF VALVES AND EQUIPMENT DRAINS TO BE PIPED TO DRAIN OR VENT BY CONTRACTOR PER CODE REQUIREMENT.



CONSTRUCTION NOTES:  
 1. SUCTION AND DISCHARGE HEADERS ARE GROOVED ON BOTH ENDS.  
 2. END CAPS CAN BE PLACED ON EITHER END OF HEADERS.  
 3. SYSTEM DESIGNED FOR INDOOR INSTALLATION.

TOTAL FLOW		- PSI		- PSI		- PSI	
TOTAL DISCHARGE PRESSURE		TOTAL SYSTEM CAPACITY		AVAILABLE PRESSURE			
3	P-2	60GULDS	ESV	46SVG-2	-	15	3500
2	P-1	60GULDS	ESV	46SVG-2	-	15	3500
ITEM	TAG	MANUFACTURER	SERIES	MODEL	GPM	TDH	HP
PUMP SCHEDULE							
10	-	-	-	-	-	-	-
9	-	-	-	-	-	-	-
8	-	-	-	-	-	-	-
7	-	-	-	-	-	-	-
6	-	-	-	-	-	-	-
5	4	-	-	-	-	-	-
4	2	-	-	-	-	-	-
3	1	P-2	GOULDS	ESV MULTISTAGE PUMP MODEL 46SVG-2	-	-	-
2	1	P-1	GOULDS	ESV MULTISTAGE PUMP MODEL 46SVG-2	-	-	-
1	1	-	-	AQUALOGIC XL CONTROL PANEL	-	-	-
ITEM	QTY	TAG	DESCRIPTION				

**FlowTherm systems**  
 HAYWARD, CALIFORNIA

**GENERAL NOTES:**  
 (1) SINGLE POINT POWER CONNECTION AT CONTROL PANEL.  
 (2) HYDRO PRESSURE CHECK AT 125 PSI.  
 (3) ASSEMBLED SYSTEM TO BE PAINTED WITH INDUSTRIAL MACHINE ENAMEL PRIOR TO SHIPMENT.

**PROJECT NAME:** \_\_\_\_\_  
**CUSTOMER:** \_\_\_\_\_  
**DRAWN BY DATE:** 04/03/18  
**CHECKED BY/DATE:** \_\_\_\_\_  
**TOLERANCES UNLESS OTHERWISE SPECIFIED:**  
 DEC. .500"    1/2"    5"    1" = 1'-0"  
 FRA. 1/2"    ANGLE 5"    SCALE 1" = 1'-0"  
 DRAWING NO. \_\_\_\_\_  
 FAB NO. \_\_\_\_\_  
 REV. 1

**UL LISTED**  
 PACKAGED PUMPING SYSTEMS  
 & HEAT TRANSFER SYSTEMS

APPROXIMATE SHIPPING WEIGHT: 1,594 LBS.  
 APPROXIMATE OPERATING WEIGHT: 1,662 LBS.

**THIS DRAWING AND THE INFORMATION SPECIFIED THEREIN ARE THE PROPERTY OF FLOWTHERM SYSTEMS, A DIVISION OF CHC. COPIES ARE ISSUED IN STRICT CONFIDENCE AND SHALL NOT BE REPRODUCED OR TRANSMITTED IN ANY FORM OR BY ANY MEANS, ELECTRONIC OR MECHANICAL, INCLUDING PHOTOCOPYING, RECORDING, OR BY ANY INFORMATION STORAGE AND RETRIEVAL SYSTEM, WITHOUT THE WRITTEN PERMISSION OF CHC.**

**EQUIPMENT SCHEDULE**