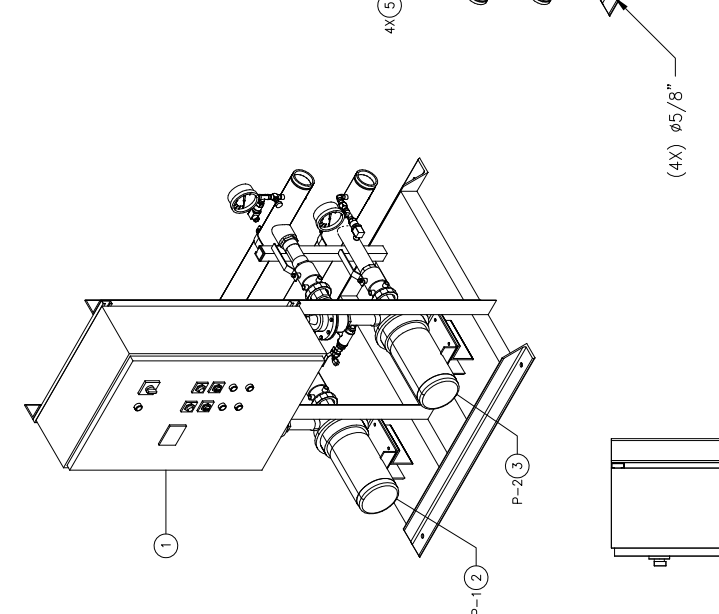


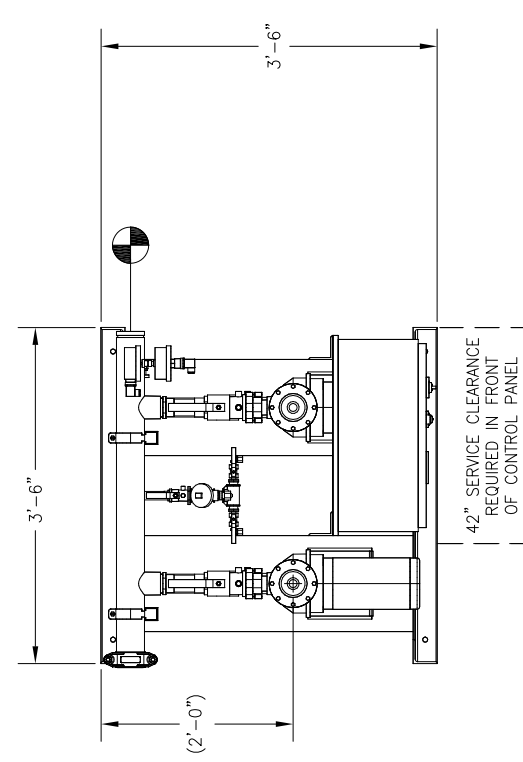
RELIEF VALVES AND ANCHORAGE EQUIPMENT DRAINS TO BE IN COMPLIANCE WITH LOCAL CODES AND ANY SEISMIC REQUIREMENTS.

RELIEF VALVES AND ANCHORAGE EQUIPMENT DRAINS TO BE IN COMPLIANCE WITH LOCAL CODES AND ANY SEISMIC REQUIREMENTS.

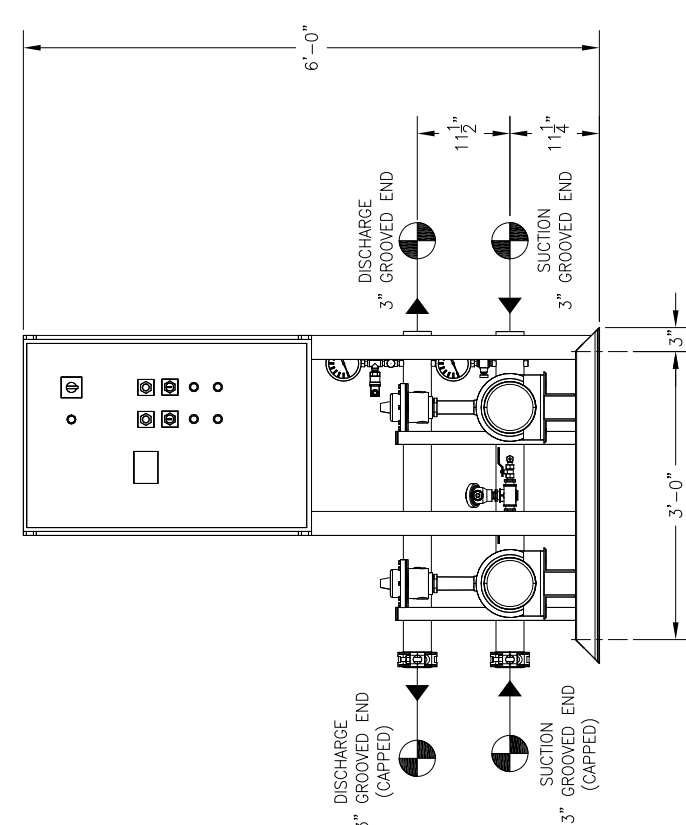


CONSTRUCTION NOTES:  
 1. SUCTION AND DISCHARGE HEADERS ARE GROOVED ON BOTH ENDS.  
 2. END CAPS CAN BE PLACED ON EITHER END OF HEADERS.  
 3. SYSTEM DESIGNED FOR INDOOR INSTALLATION.

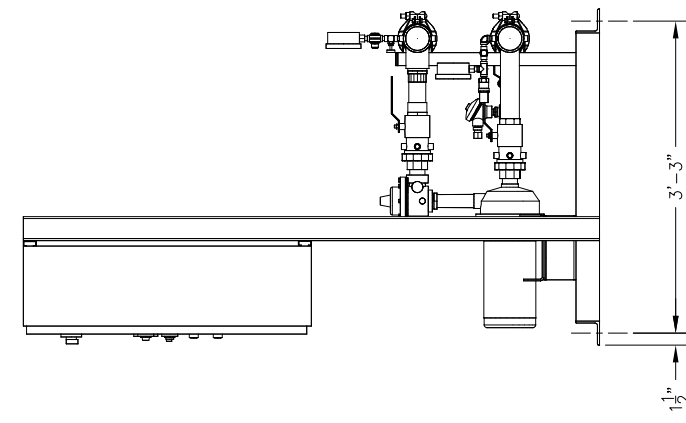
| TOTAL FLOW            |     | - PSI        |             | - PSI               |                 | AVAILABLE PRESSURE |                                   |
|-----------------------|-----|--------------|-------------|---------------------|-----------------|--------------------|-----------------------------------|
| TOTAL SYSTEM CAPACITY |     |              |             |                     |                 |                    |                                   |
| 3                     | P-2 | GOULDS       | NPE         | 1.25 X 1.5-6        | -               | 2                  | 3500                              |
| 2                     | P-1 | GOULDS       | NPE         | 1.25 X 1.5-6        | -               | 2                  | 3500                              |
| ITEM                  | TAG | MANUFACTURER | SERIES      | MODEL               | GPM             | TDH                | HP                                |
| PUMP SCHEDULE         |     |              |             |                     |                 |                    |                                   |
| 10                    |     |              |             |                     |                 |                    |                                   |
| 9                     |     |              |             |                     |                 |                    |                                   |
| 8                     |     |              |             |                     |                 |                    |                                   |
| 7                     |     |              |             |                     |                 |                    |                                   |
| 6                     |     |              |             |                     |                 |                    |                                   |
| 5                     | 4   |              |             | UNION BALL VALVE    | -               | 2"                 |                                   |
| 4                     | 2   |              |             | CLA-VAL CHECK VALVE | -               | 1 1/2"             |                                   |
| 3                     | 1   | P-2          | GOULDS      | NPE                 | STAINLESS STEEL | 1.25 X 1.5         | -                                 |
| 2                     | 1   | P-1          | GOULDS      | NPE                 | STAINLESS STEEL | 1.25 X 1.5         | -                                 |
| 1                     | 1   |              |             |                     |                 |                    | VARIABLE SPEED PUMP CONTROL PANEL |
| ITEM                  | QTY | TAG          | DESCRIPTION |                     |                 |                    |                                   |



TOP VIEW



FRONT VIEW



RIGHT END VIEW

**GENERAL NOTES:**  
 (1) SINGLE POINT POWER CONNECTION AT CONTROL PANEL.  
 (2) HYDRO PRESSURE CHECK AT 125 PSI.  
 (3) ASSEMBLED SYSTEM TO BE PAINTED WITH INDUSTRIAL MACHINE ENAMEL PRIOR TO SHIPMENT.

**UL LISTED**  
 PACKAGED PUMPING SYSTEMS & HEAT TRANSFER SYSTEMS

APPROXIMATE SHIPPING WEIGHT: 615 LBS.  
 APPROXIMATE OPERATING WEIGHT: 656 LBS.

**FLOWTECH systems**  
 HAYWARD, CALIFORNIA

**EQUIPMENT SCHEDULE**

| ITEM | QTY | TAG | DESCRIPTION  |
|------|-----|-----|--|
| 1    | 1   |     | VARIABLE SPEED PUMP CONTROL PANEL                          |
| 2    | 1   | P-1 | GOULDS NPE STAINLESS STEEL 1.25 X 1.5 - 6 END SUCTION PUMP |
| 3    | 1   | P-2 | GOULDS NPE STAINLESS STEEL 1.25 X 1.5 - 6 END SUCTION PUMP |
| 4    | 2   |     | CLA-VAL CHECK VALVE - 1 1/2"                               |
| 5    | 4   |     | UNION BALL VALVE - 2"                                      |
| 6    | -   |     |  |
| 7    | -   |     |  |
| 8    | -   |     |  |
| 9    | -   |     |  |
| 10   | -   |     |  |

**PROJECT NAME:**  
**CUSTOMER:**  
**DRAWN BY DATE:** 12/16/14  
**CHECKED BY APPROVED BY:**  
**TOLERANCES UNLESS OTHERWISE SPECIFIED:**  
 DEC. .500"  
 FRACTION 1/2"  
 ANGLE 5'  
 SCALE 1" = 1'-0"  
**DRAWING NO.:** FEV2-2  
**FAB NO.:**  
**REVISION:** 1