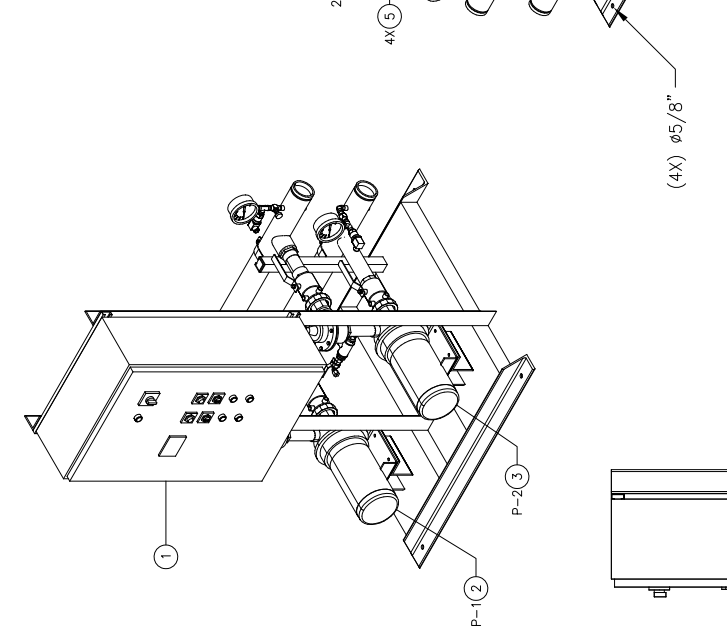


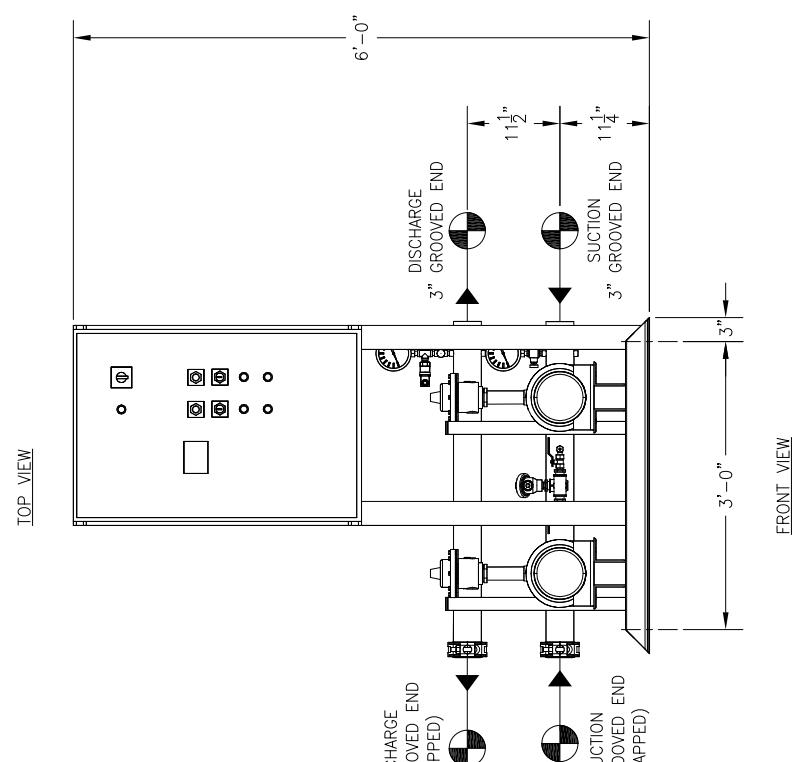
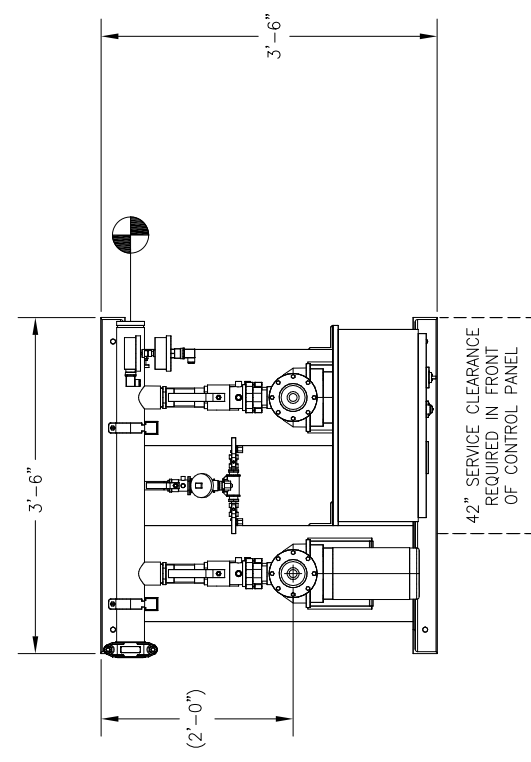
RELIEF VALVES AND EQUIPMENT DRAINS TO BE PIPED TO DRAIN OR VENT BY CONTRACTOR PER CODE REQUIREMENT.

ALL BOLTING AND ANCHORAGE TO BE IN COMPLIANCE WITH LOCAL CODES AND ANY SEISMIC REQUIREMENTS.



CONSTRUCTION NOTES:
 1. SUCTION AND DISCHARGE HEADERS ARE GROOVED ON BOTH ENDS.
 2. END CAPS CAN BE PLACED ON EITHER END OF HEADERS.
 3. SYSTEM DESIGNED FOR INDOOR INSTALLATION.

| TOTAL FLOW | | -PSI | | -PSI | | -PSI | | | |
|--------------------------|-----|-----------------------|----------------------------|--------------------|------------------|------|---------------|-------------|-----------|
| TOTAL DISCHARGE PRESSURE | | TOTAL SYSTEM CAPACITY | | AVAILABLE PRESSURE | | | | | |
| 3 | P-2 | GOULDS | NPE 1.25 X 1.5-6 | - | 3 | 3500 | 1460 / 60 / 3 | TEFC P.E. | |
| 2 | P-1 | GOULDS | NPE 1.25 X 1.5-6 | - | 3 | 3500 | 1460 / 60 / 3 | TEFC P.E. | |
| ITEM | TAG | MANUFACTURER | SERIES | MODEL | GPM | TDH | RPM | VOLTS/42/PH | ENCLOSURE |
| PUMP SCHEDULE | | | | | | | | | |
| 10 | | | | | | | | | |
| 9 | | | | | | | | | |
| 8 | | | | | | | | | |
| 7 | | | | | | | | | |
| 6 | | | | | | | | | |
| 5 | 4 | | | | | | | | |
| 4 | 2 | | | | | | | | |
| 3 | 1 | P-2 | GOULDS NPE STAINLESS STEEL | 1.25 X 1.5 - 6 | END SUCTION PUMP | | | | |
| 2 | 1 | P-1 | GOULDS NPE STAINLESS STEEL | 1.25 X 1.5 - 6 | END SUCTION PUMP | | | | |
| 1 | 1 | | | | | | | | |
| ITEM | QTY | TAG | DESCRIPTION | | | | | | |



| EQUIPMENT SCHEDULE | |
|---------------------------------------|------------|
| PROJECT NAME: | |
| CUSTOMER: | |
| DRAWN BY DATE: | 12/16/14 |
| ACD | |
| CHECKED BY APPROVED BY: | |
| TOLERANCES UNLESS OTHERWISE SPECIFIED | |
| DEC. .500" | |
| FRAC. 1/2" | |
| ANGLE | |
| SCALE | 1" = 1'-0" |
| FAB NO. | FEV2-3 |
| DRAWING NO. | FEV2-3 |
| REV | 1 |

THIS DRAWING AND THE INFORMATION SPECIFIED THEREIN ARE THE PROPERTY OF FLOWTECH SYSTEMS, A DIVISION OF CHC. COPIES ARE ISSUED IN STRICT CONFIDENCE AND SHALL NOT BE REPRODUCED OR TRANSMITTED IN ANY FORM OR BY ANY MEANS, ELECTRONIC OR MECHANICAL, INCLUDING PHOTOCOPYING, RECORDING, OR BY ANY INFORMATION STORAGE AND RETRIEVAL SYSTEM, WITHOUT THE WRITTEN PERMISSION OF CHC.

UL LISTED
 PACKAGED PUMPING SYSTEMS & HEAT TRANSFER SYSTEMS

APPROXIMATE SHIPPING WEIGHT: 624 LBS.
 APPROXIMATE OPERATING WEIGHT: 665 LBS.

GENERAL NOTES:
 (1) SINGLE POINT POWER CONNECTION AT CONTROL PANEL.
 (2) HYDRO PRESSURE CHECK AT 125 PSI.
 (3) ASSEMBLED SYSTEM TO BE PAINTED WITH INDUSTRIAL MACHINE ENAMEL PRIOR TO SHIPMENT.

= DENOTES CONTRACTOR POINT OF CONNECTION



DRAWING TITLE:
 FEV2-3 - VARIABLE SPEED DUPLEX PRESSURE BOOSTER