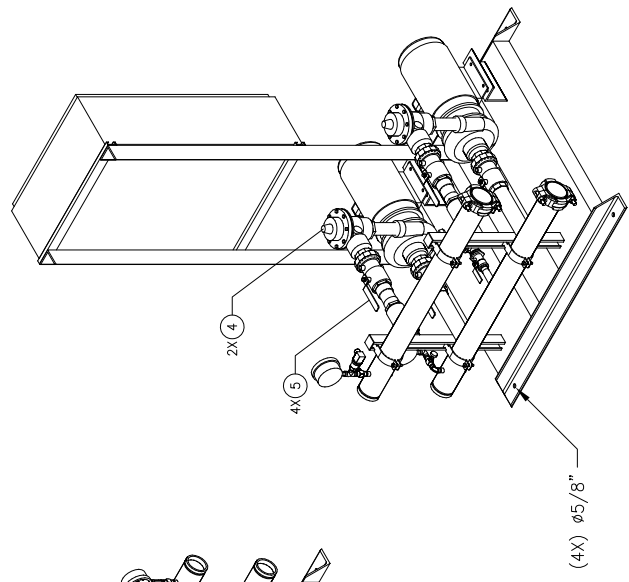
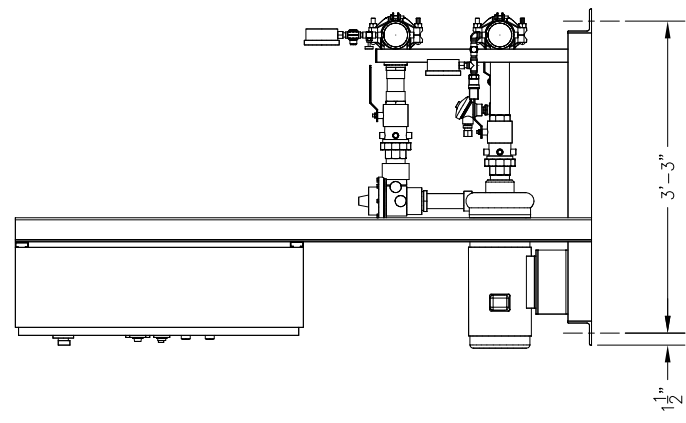
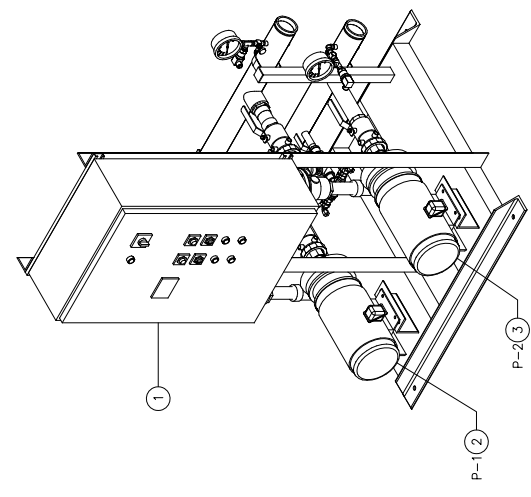
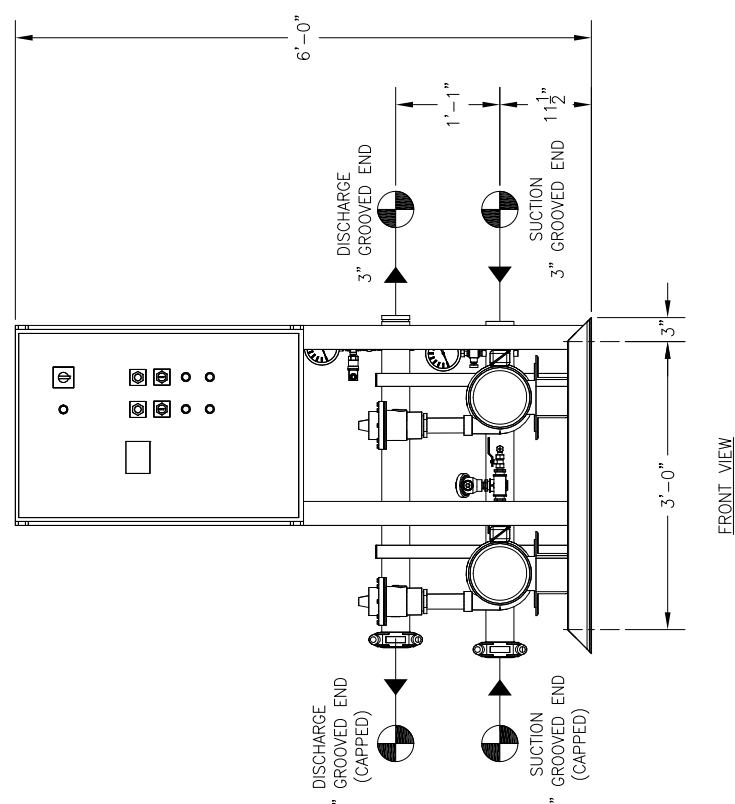
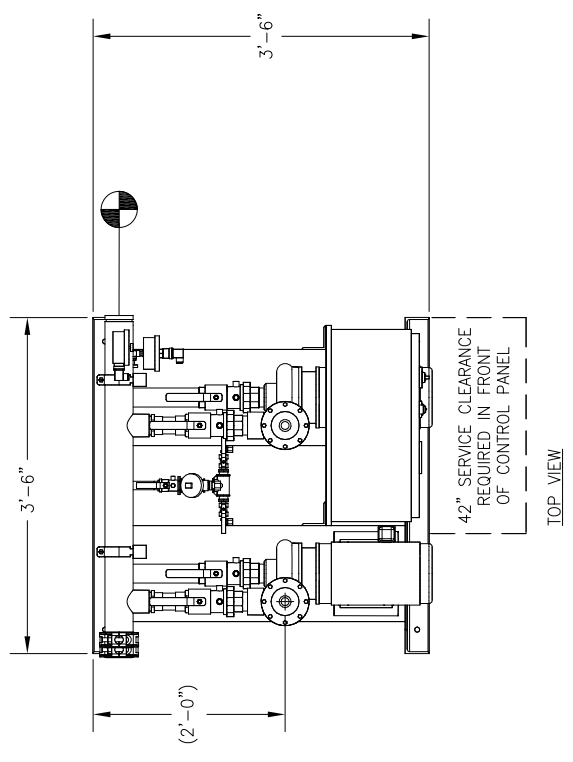


RELIEF VALVES AND ANCHORAGE EQUIPMENT DRAINS TO BE PIPED TO DRAIN OR VENT BY CONTRACTOR PER CODE REQUIREMENT.

ALL BOLTING AND ANCHORAGE TO BE IN COMPLIANCE WITH LOCAL CODES AND ANY SEISMIC REQUIREMENTS.



**CONSTRUCTION NOTES:**

1. SUCTION AND DISCHARGE HEADERS ARE GROOVED ON BOTH ENDS.
2. END CAPS CAN BE PLACED ON EITHER END OF HEADERS.
3. SYSTEM DESIGNED FOR INDOOR INSTALLATION.

TOTAL FLOW		PSI		TOTAL DISCHARGE PRESSURE		AVAILABLE PRESSURE				
				TOTAL SYSTEM CAPACITY						
3	P-2	GOULDS	3656	1 1/2 X 2-6	-	3	3500	460 / 60 / 3	TEFC P.E.	
2	P-1	GOULDS	3656	1 1/2 X 2-6	-	3	3500	460 / 60 / 3	TEFC P.E.	
ITEM	TAG	MANUFACTURER	SERIES	MODEL	GPM	TDH	HP	RPM	VOLTS/Hz/PH	ENCLOSURE
PUMP SCHEDULE										
10										
9										
8										
7										
6										
5	4									UNION BALL VALVE - 2"
4	2									CL-A-VAL CHECK VALVE - 2"
3	1	P-2	GOULDS	3656 S	1 1/2 X 2-6	BRONZE	FITTED END	SUCTION	CAST IRON	PUMP
2	1	P-1	GOULDS	3656 S	1 1/2 X 2-6	BRONZE	FITTED END	SUCTION	CAST IRON	PUMP
1	1									VARIABLE SPEED PUMP CONTROL PANEL
ITEM	QTY	TAG	DESCRIPTION							

**GENERAL NOTES:**

- (1) SINGLE POINT POWER CONNECTION AT CONTROL PANEL.
- (2) HYDRO PRESSURE CHECK AT 125 PSI.
- (3) ASSEMBLED SYSTEM TO BE PAINTED WITH INDUSTRIAL MACHINE ENAMEL PRIOR TO SHIPMENT.

= DENOTES CONTRACTOR POINT OF CONNECTION

LISTED  
PACKAGED PUMPING SYSTEMS  
& HEAT TRANSFER SYSTEMS

APPROXIMATE SHIPPING WEIGHT: 832 LBS.  
APPROXIMATE OPERATING WEIGHT: 875 LBS.

THIS DRAWING AND THE INFORMATION SPECIFIED THEREIN ARE THE PROPERTY OF FLOWTHERM SYSTEMS, A DIVISION OF CHC. COPIES ARE ISSUED IN STRICT CONFIDENCE AND SHALL NOT BE REPRODUCED OR TRANSMITTED IN ANY FORM OR BY ANY MEANS, ELECTRONIC OR MECHANICAL, INCLUDING PHOTOCOPYING, RECORDING, OR BY ANY INFORMATION STORAGE AND RETRIEVAL SYSTEM, WITHOUT THE WRITTEN PERMISSION OF CHC.

PROJECT NAME: \_\_\_\_\_  
CUSTOMER: \_\_\_\_\_  
DRAWN BY DATE: \_\_\_\_\_  
ACD 12/17/14  
CHECKED BY APPROVED BY: \_\_\_\_\_  
TOLERANCES UNLESS OTHERWISE SPECIFIED: \_\_\_\_\_  
DEC. .500" FRACTION 1/2" ANGLE SIZE 1" = 1'-0"

Flowtherm Systems  
HAYWARD, CALIFORNIA

DRAWING NO. FEV2-6  
REV 1