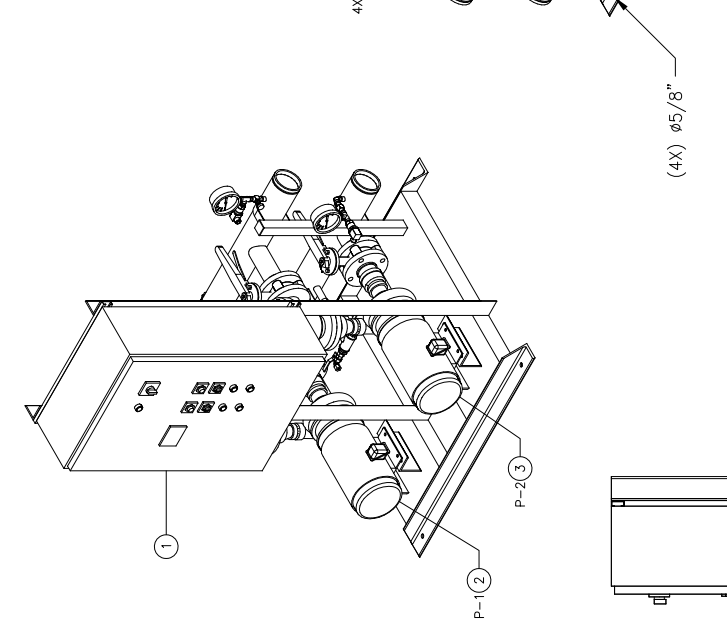


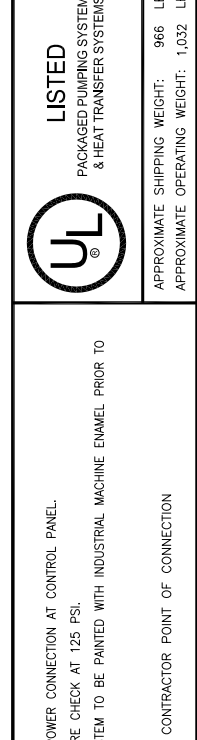
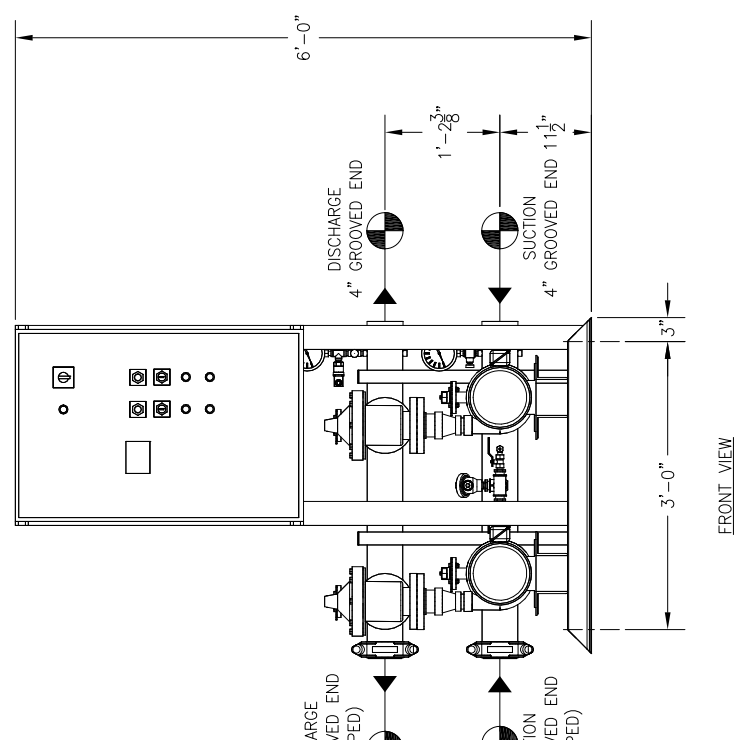
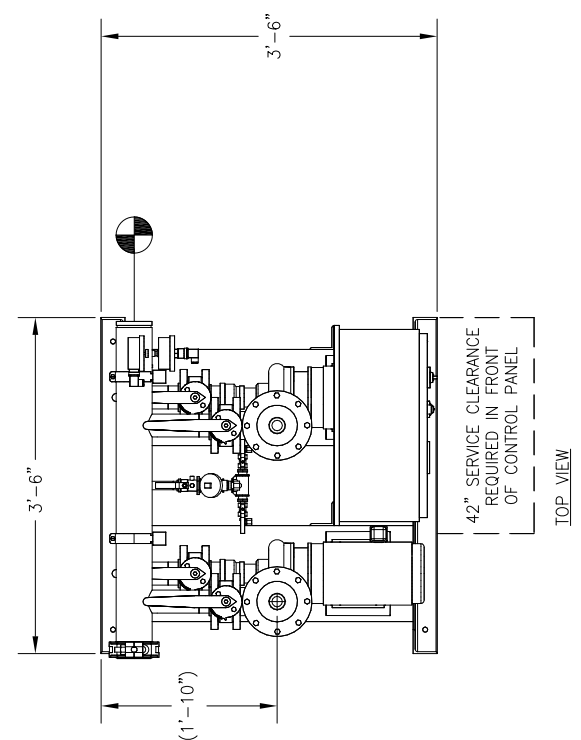
RELIEF VALVES AND ANCHORAGE EQUIPMENT DRAINS TO BE IN COMPLIANCE WITH LOCAL CODES AND ANY SEISMIC REQUIREMENTS.

ALL BOLTING AND ANCHORAGE TO BE IN COMPLIANCE WITH LOCAL CODES AND ANY SEISMIC REQUIREMENTS.



CONSTRUCTION NOTES:
 1. SUCTION AND DISCHARGE HEADERS ARE GROOVED ON BOTH ENDS.
 2. END CAPS CAN BE PLACED ON EITHER END OF HEADERS.
 3. SYSTEM DESIGNED FOR INDOOR INSTALLATION.

TOTAL FLOW		PSI		TOTAL DISCHARGE PRESSURE		AVAILABLE PRESSURE	
		PSI		TOTAL SYSTEM CAPACITY			
3	P-2	GOULDS	3656	1 1/2 X 2-6	-	3	3500
2	P-1	GOULDS	3656	1 1/2 X 2-6	-	3	3500
ITEM	TAG	MANUFACTURER	SERIES	MODEL	GPM	TDH	RPM
PUMP SCHEDULE							
10							
9							
8							
7							
6							
5	4			LUG TYPE BUTTERFLY VALVE	-	2	1/2"
4	2			CLA-VAL CHECK VALVE	-	2	1/2"
3	1	P-2	GOULDS	3656	S	1 1/2 X 2-6	BRONZE FITTED END SUCTION CAST IRON PUMP
2	1	P-1	GOULDS	3656	S	1 1/2 X 2-6	BRONZE FITTED END SUCTION CAST IRON PUMP
1	1						VARIABLE SPEED PUMP CONTROL PANEL
ITEM	QTY	TAG	DESCRIPTION				



GENERAL NOTES:
 (1) SINGLE POINT POWER CONNECTION AT CONTROL PANEL.
 (2) HYDRO PRESSURE CHECK AT 125 PSI.
 (3) ASSEMBLED SYSTEM TO BE PAINTED WITH INDUSTRIAL MACHINE ENAMEL PRIOR TO SHIPMENT.
 = DENOTES CONTRACTOR POINT OF CONNECTION

UL LISTED
 PACKAGED PUMPING SYSTEMS
 & HEAT TRANSFER SYSTEMS

APPROXIMATE SHIPPING WEIGHT: 986 LBS.
 APPROXIMATE OPERATING WEIGHT: 1,032 LBS.

THIS DRAWING AND THE INFORMATION SPECIFIED THEREIN ARE THE PROPERTY OF FLOWTECH SYSTEMS, A DIVISION OF CHC. COPIES ARE ISSUED IN STRICT CONFIDENCE AND SHALL NOT BE REPRODUCED OR TRANSMITTED IN ANY FORM OR BY ANY MEANS, ELECTRONIC OR MECHANICAL, INCLUDING PHOTOCOPYING, RECORDING, OR BY ANY INFORMATION STORAGE AND RETRIEVAL SYSTEM, WITHOUT THE WRITTEN PERMISSION OF CHC.

CHECKED BY: APPROVED BY: DATE: 04/15/16
 ACQ

TOLERANCES UNLESS OTHERWISE SPECIFIED:
 DEC. .500"
 FRACTION 1/2"
 ANGLE 5'
 SCALE 1" = 1'-0"

FlowTech systems
 HAYWARD, CALIFORNIA

EQUIPMENT SCHEDULE

PROJECT NAME:
 CUSTOMER:
 DRAWING TITLE: FE2-10 - VARIABLE SPEED DUPLEX PRESSURE BOOSTER
 DRAWING NO. FE2-10
 FAB NO. FE2-10
 REV 1