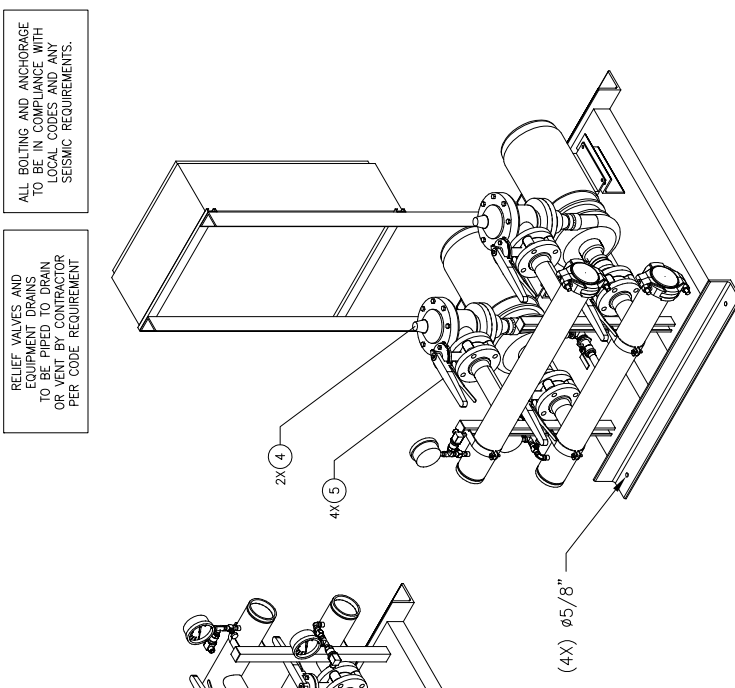


RELIEF VALVES AND EQUIPMENT DRAINS TO BE PIPED TO DRAIN OR VENT BY CONTRACTOR PER CODE REQUIREMENTS.

ALL BOLTING AND ANCHORAGE TO BE IN COMPLIANCE WITH LOCAL CODES AND ANY SEISMIC REQUIREMENTS.



CONSTRUCTION NOTES:

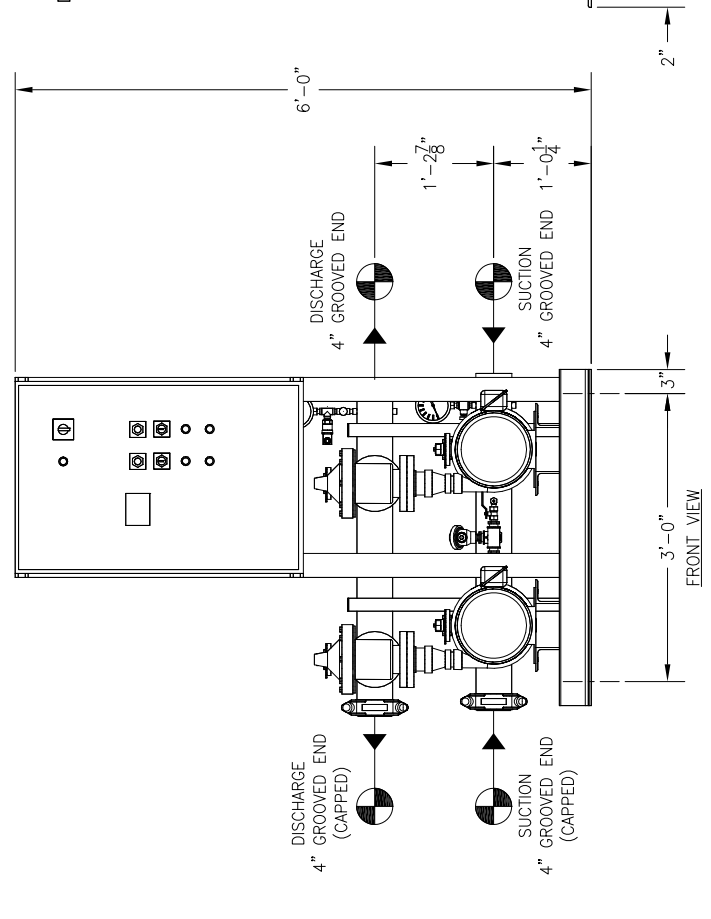
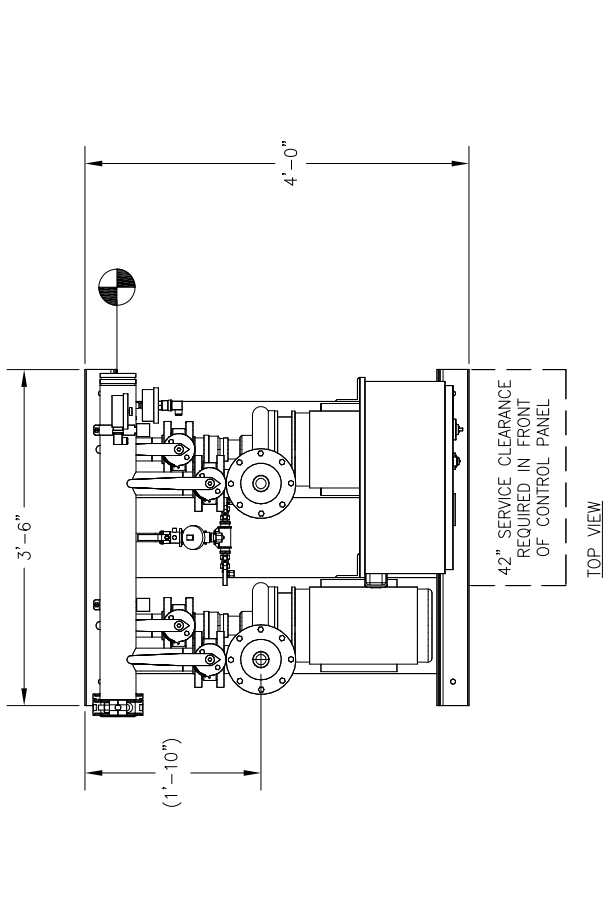
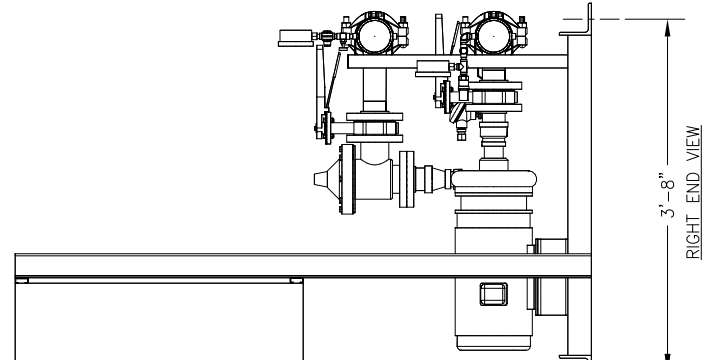
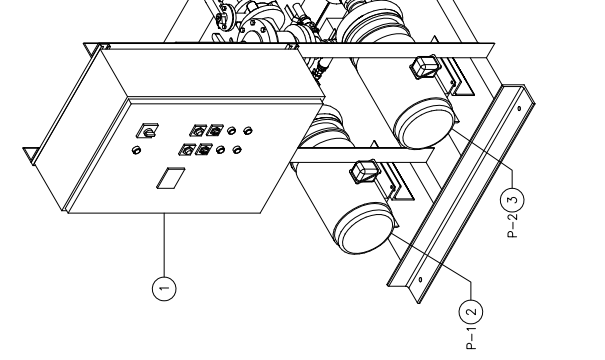
1. SUCTION AND DISCHARGE HEADERS ARE GROOVED ON BOTH ENDS.
2. END CAPS CAN BE PLACED ON EITHER END OF HEADERS.
3. SYSTEM DESIGNED FOR INDOOR INSTALLATION.

TOTAL FLOW		PSI		TOTAL DISCHARGE PRESSURE		TOTAL SYSTEM CAPACITY		PSI		AVAILABLE PRESSURE	
3	P-2	600LBS	1 1/2 X 2-8	-	-	10	3500	1460	60	3	TEFC P.E.
2	P-1	600LBS	1 1/2 X 2-8	-	-	10	3500	1460	60	3	TEFC P.E.

ITEM	TAG	MANUFACTURER	SERIES	MODEL	GPM	TDH	HP	RPM	VOLTS/AHZ/PH	ENCLOSURE
PUMP SCHEDULE										
10										
9										
8										
7										
6										
5	4									LUG TYPE BUTTERFLY VALVE - 2 1/2"
4	2									CLA-VAL CHECK VALVE - 2 1/2"
3	1	P-2	GOULDS	3656 S	1 1/2 X 2-8	BRONZE	FITTED END	SUCTION	CAST IRON	PUMP
2	1	P-1	GOULDS	3656 S	1 1/2 X 2-8	BRONZE	FITTED END	SUCTION	CAST IRON	PUMP
1	1									VARIABLE SPEED PUMP CONTROL PANEL

ITEM	QTY	TAG	DESCRIPTION
10			
9			
8			
7			
6			
5	4		LUG TYPE BUTTERFLY VALVE - 2 1/2"
4	2		CLA-VAL CHECK VALVE - 2 1/2"
3	1	P-2	GOULDS 3656 S 1 1/2 X 2-8 BRONZE FITTED END SUCTION CAST IRON PUMP
2	1	P-1	GOULDS 3656 S 1 1/2 X 2-8 BRONZE FITTED END SUCTION CAST IRON PUMP
1	1		VARIABLE SPEED PUMP CONTROL PANEL

EQUIPMENT SCHEDULE	
PROJECT NAME:	
CUSTOMER:	
DRAWN BY DATE:	04/15/16
ACD	
CHECKED BY:	APPROVED BY:
TOLERANCES UNLESS OTHERWISE SPECIFIED:	
DEC. .500"	SCALE 1" = 1'-0"
FRAC. 1/2"	ANGLE 5°
SIZE 1"	C 1" = 1'-0"
FAB NO.	DRAWING NO.
FEV2-13	FEV2-13
EQUIPMENT DESCRIPTION:	
FEV2-13 - VARIABLE SPEED DUPLEX PRESSURE BOOSTER	
REV	1



GENERAL NOTES:

- (1) SINGLE POINT POWER CONNECTION AT CONTROL PANEL.
- (2) HYDRO PRESSURE CHECK AT 125 PSI.
- (3) ASSEMBLED SYSTEM TO BE PAINTED WITH INDUSTRIAL MACHINE ENAMEL PRIOR TO SHIPMENT.

= DENOTES CONTRACTOR POINT OF CONNECTION

LISTED
PACKAGED PUMPING SYSTEMS
& HEAT TRANSFER SYSTEMS

APPROXIMATE SHIPPING WEIGHT: 1,238 LBS.
APPROXIMATE OPERATING WEIGHT: 1,304 LBS.

THIS DRAWING AND THE INFORMATION SPECIFIED THEREIN ARE THE PROPERTY OF FLOWTHERM SYSTEMS, A DIVISION OF CHC. COPIES ARE ISSUED IN STRICT CONFIDENCE AND SHALL NOT BE REPRODUCED OR TRANSMITTED IN ANY FORM OR BY ANY MEANS, ELECTRONIC OR MECHANICAL, INCLUDING PHOTOCOPYING, RECORDING, OR BY ANY INFORMATION STORAGE AND RETRIEVAL SYSTEM, WITHOUT THE WRITTEN PERMISSION OF CHC.