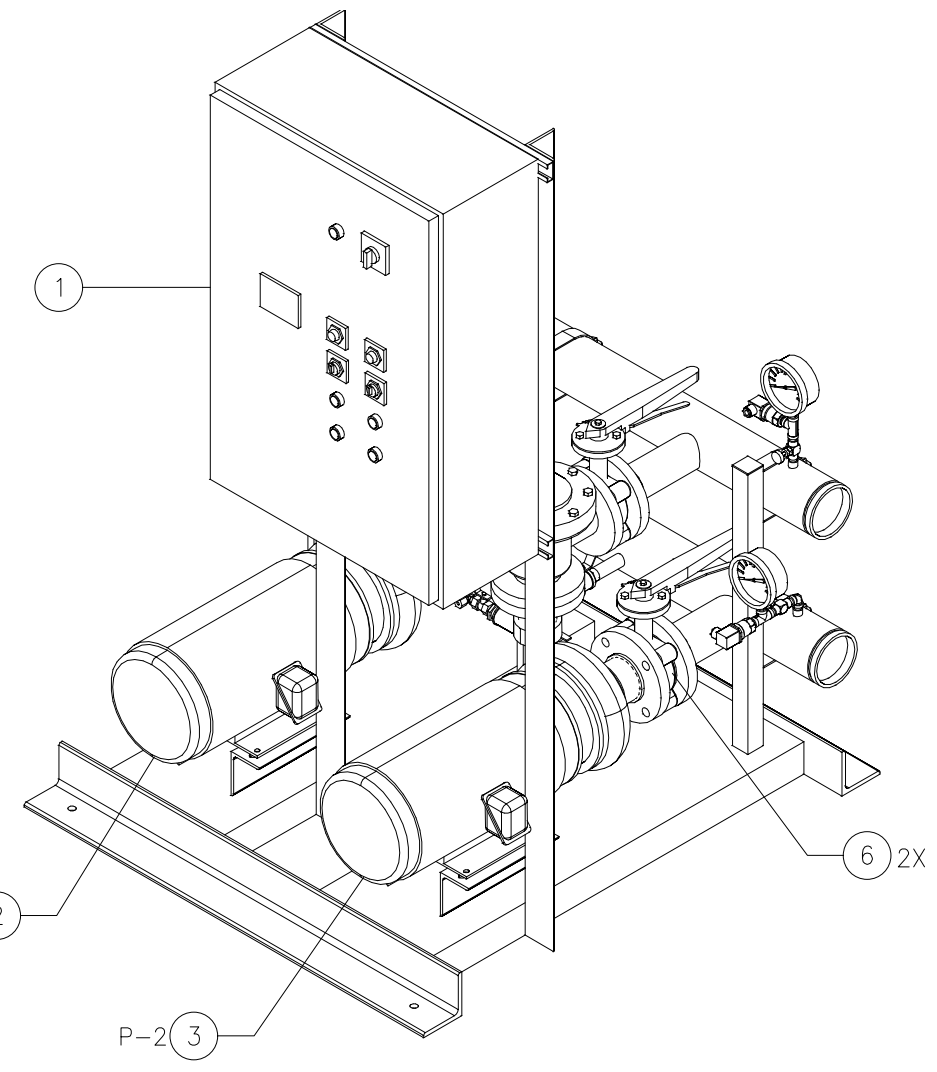
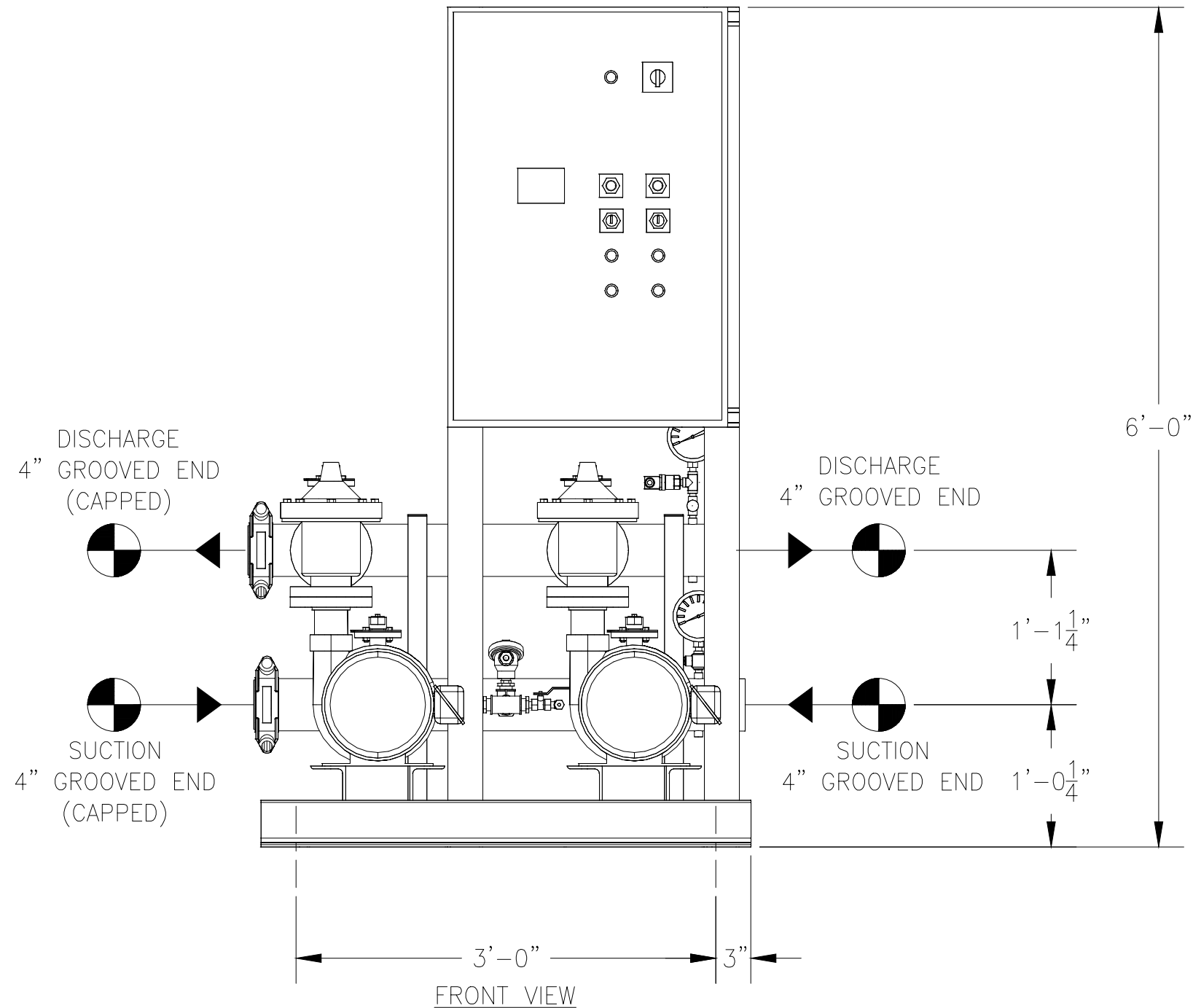
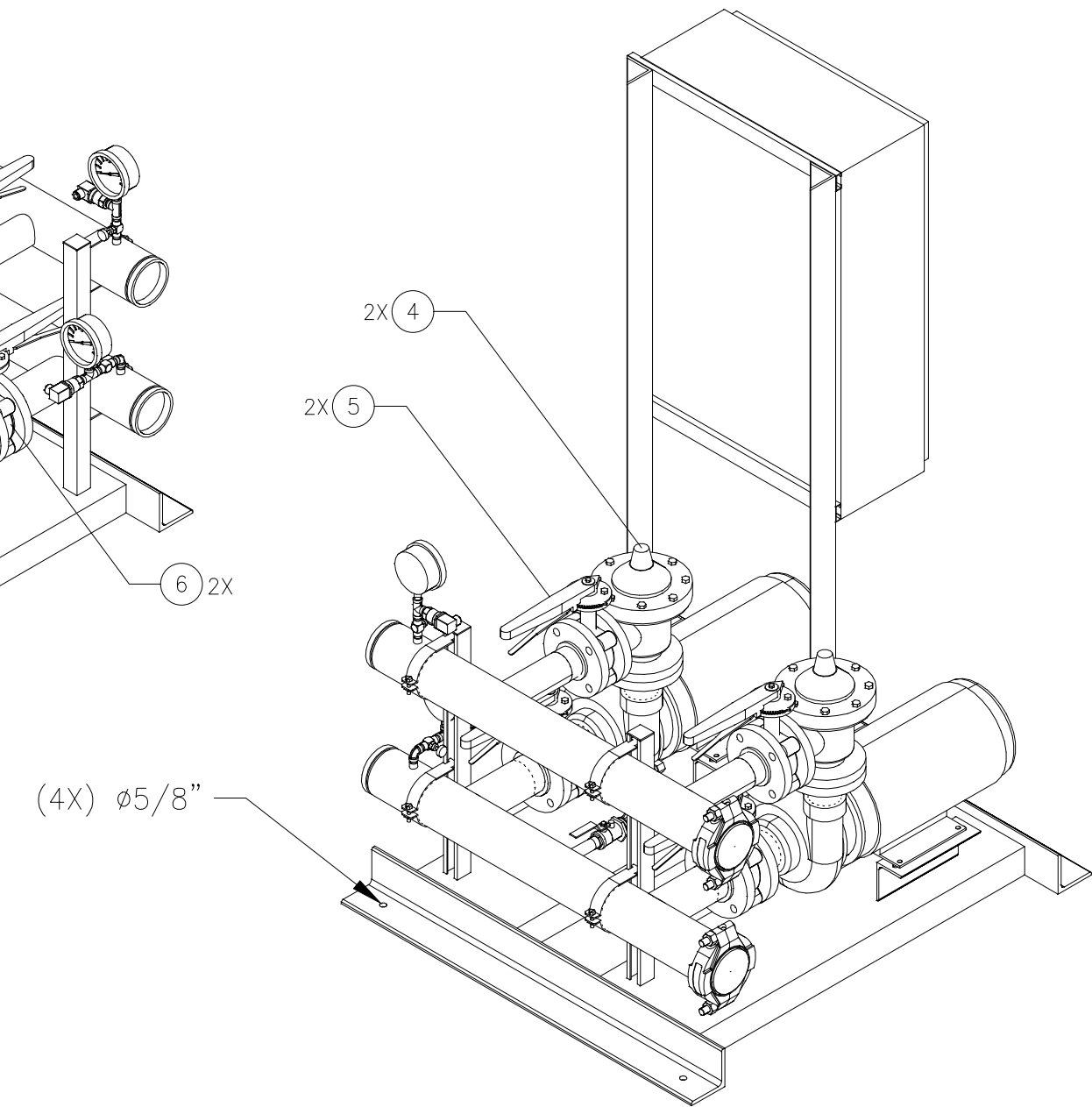


TOP VIEW

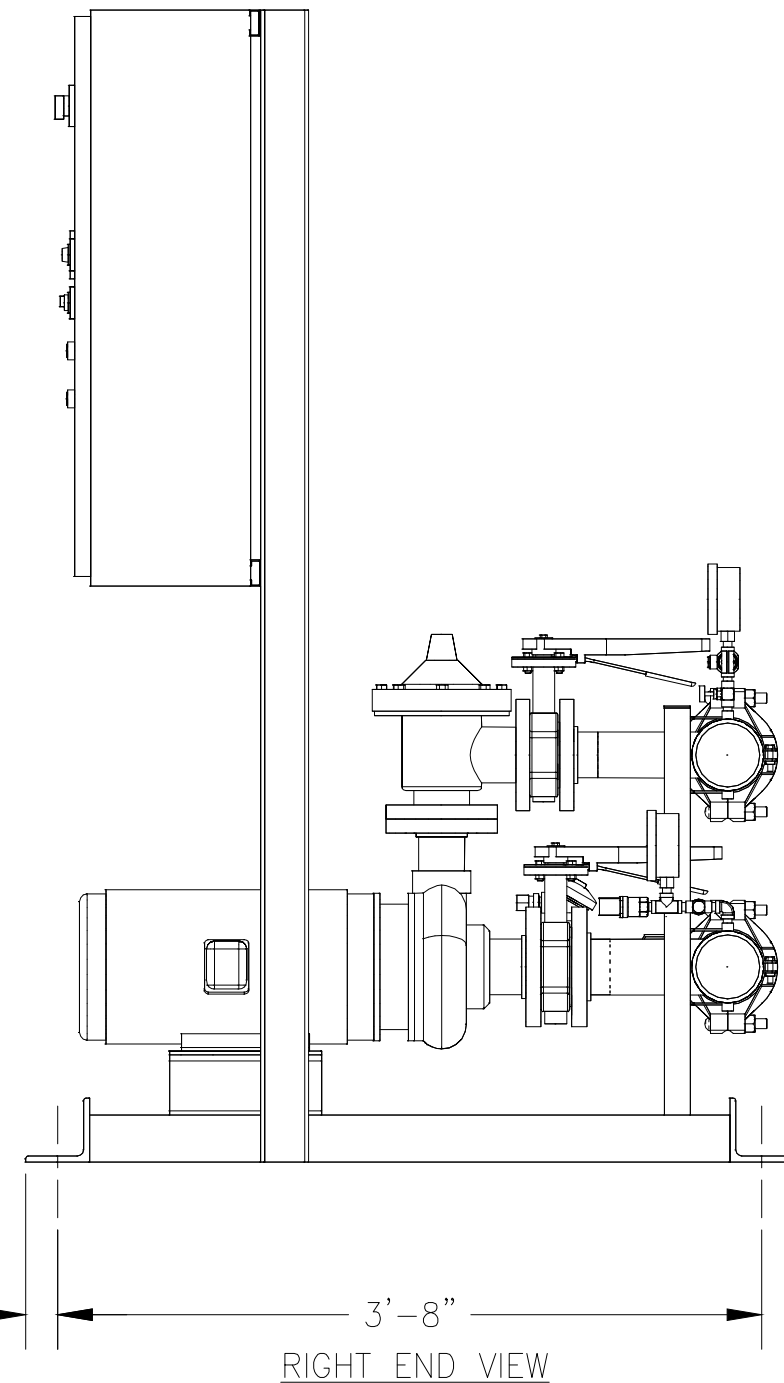


RELIEF VALVES AND EQUIPMENT DRAINS TO BE PIPED TO DRAIN OR VENT BY CONTRACTOR PER CODE REQUIREMENT

ALL BOLTING AND ANCHORAGE TO BE IN COMPLIANCE WITH LOCAL CODES AND ANY SEISMIC REQUIREMENTS.



FRONT VIEW



RIGHT END VIEW

CONSTRUCTION NOTES:

1. SUCTION AND DISCHARGE HEADERS ARE GROOVED ON BOTH ENDS.
2. END CAPS CAN BE PLACED ON EITHER END OF HEADERS.
3. SYSTEM DESIGNED FOR INDOOR INSTALLATION.

GPM	PSI	PSI
TOTAL FLOW	TOTAL DISCHARGE PRESSURE	AVAILABLE PRESSURE
TOTAL SYSTEM CAPACITY		

ITEM	TAG	MANUFACTURER	SERIES	MODEL	GPM	TDH	HP	RPM	VOLTS/HZ/PH	ENCLOSURE
3	P-2	GOULDS	3656	2 1/2 X 3-7			10			
2	P-1	GOULDS	3656	2 1/2 X 3-7			10			

PUMP SCHEDULE

10										
9										
8										
7										
6	2	-	LUG TYPE BUTTERFLY VALVE - 3"							
5	2	-	LUG TYPE BUTTERFLY VALVE - 2 1/2"							
4	2	-	CLA-VAL CHECK VALVE - 2 1/2"							
3	1	P-2	GOULDS 3656 S	2 1/2 X 3-7 BRONZE FITTED END SUCTION CAST IRON PUMP						
2	1	P-1	GOULDS 3656 S	2 1/2 X 3-7 BRONZE FITTED END SUCTION CAST IRON PUMP						
1	1	-	VARIABLE SPEED PUMP CONTROL PANEL							

EQUIPMENT SCHEDULE

GENERAL NOTES:

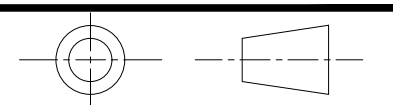
- (1) SINGLE POINT POWER CONNECTION AT CONTROL PANEL.
- (2) HYDRO PRESSURE CHECK AT 125 PSI.
- (3) ASSEMBLED SYSTEM TO BE PAINTED WITH INDUSTRIAL MACHINE ENAMEL PRIOR TO SHIPMENT.

= DENOTES CONTRACTOR POINT OF CONNECTION

**UL LISTED**  
**PACKAGED PUMPING SYSTEMS & HEAT TRANSFER SYSTEMS**

APPROXIMATE SHIPPING WEIGHT: 1,243 LBS.  
 APPROXIMATE OPERATING WEIGHT: 1,308 LBS.

THIS DRAWING AND THE INFORMATION DEPICTED THEREIN IS THE PROPERTY OF FLOWTHERM SYSTEMS, A DIVISION OF CHC. COPIES ARE ISSUED IN STRICT CONFIDENCE AND SHALL NOT BE REPRODUCED, COPIED, OR USED AS THE BASIS FOR MANUFACTURING OR SALE OF PRODUCT WITHOUT PRIOR WRITTEN PERMISSION OF CHC.



PROJECT NAME:

CUSTOMER:

DRAWN BY DATE: ACB 04/18/16

CHECKED BY APPROVED BY:

TOLERANCES UNLESS OTHERWISE SPECIFIED

DEC.	FRAC.	ANGLE	SIZE	SCALE
.500"	1/2"	5°	C	1" = 1'-0"

**FlowTherm systems**  
 HAYWARD, CALIFORNIA

DRAWING TITLE:  
 FEV2-15 - VARIABLE SPEED DUPLEX PRESSURE BOOSTER

FAB No. DRAWING No. REV  
 FEV2-15

F:\PACKAGED SYSTEM DRAWINGS\FTPB\FEV\FEV2-X\FEV2-15.DWG