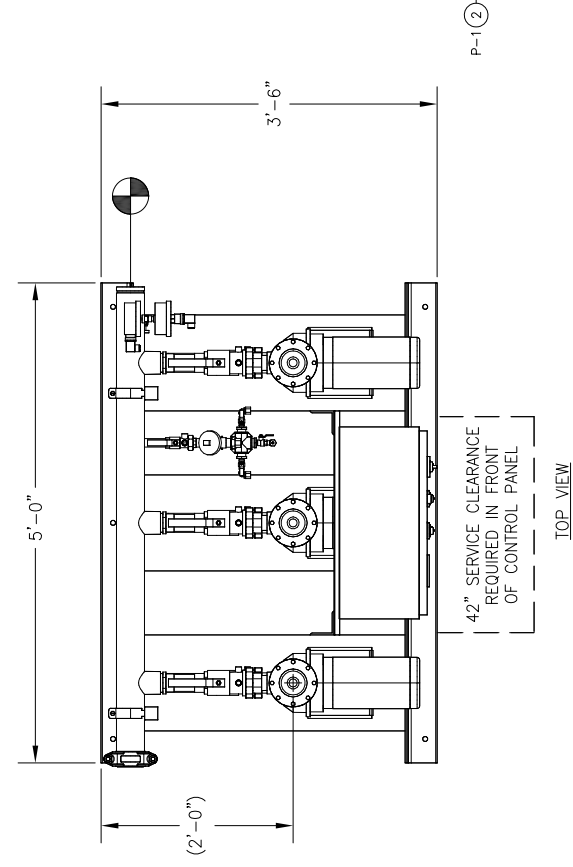
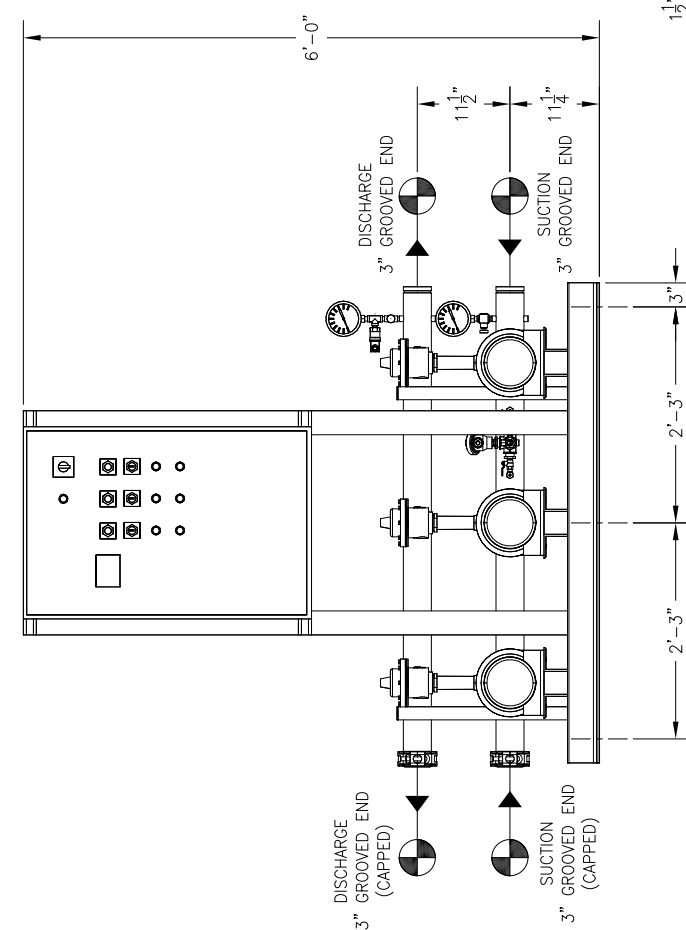


RELIEF VALVES AND ANCHORAGE EQUIPMENT DRAINS TO BE IN COMPLIANCE WITH LOCAL CODES AND ANY SEISMIC REQUIREMENTS.

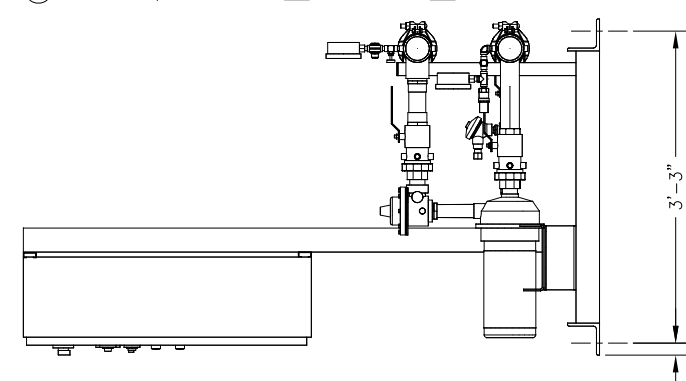
RELIEF VALVES AND EQUIPMENT DRAINS TO BE PIPED TO DRAIN OR VENT BY CONTRACTOR PER CODE REQUIREMENT.



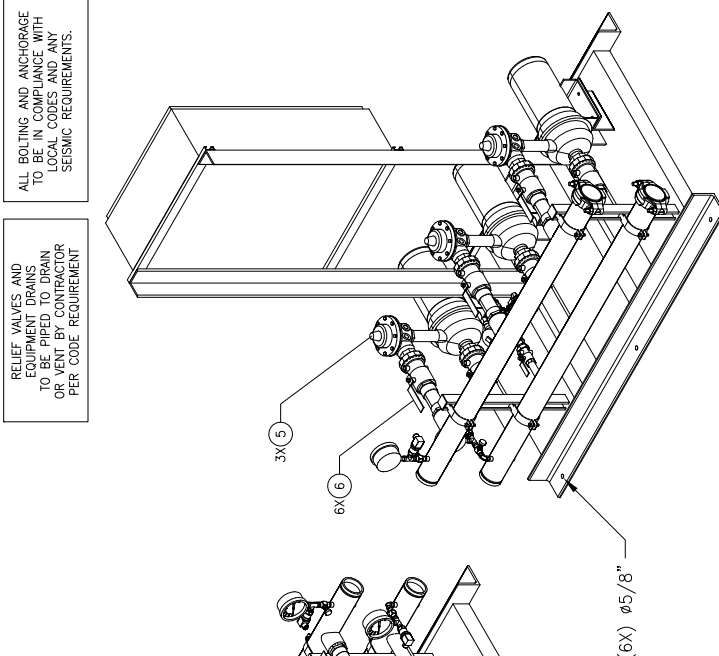
TOP VIEW



FRONT VIEW



RIGHT END VIEW



CONSTRUCTION NOTES:

1. SUCTION AND DISCHARGE HEADERS ARE GROOVED ON BOTH ENDS.
2. END CAPS CAN BE PLACED ON EITHER END OF HEADERS.
3. SYSTEM DESIGNED FOR INDOOR INSTALLATION.

| - GPM | | - PSI | | TOTAL SYSTEM CAPACITY | |
|------------|--------------------------|--------------------------|--------------------|-----------------------|--------------------|
| TOTAL FLOW | TOTAL DISCHARGE PRESSURE | TOTAL DISCHARGE PRESSURE | AVAILABLE PRESSURE | TOTAL FLOW | AVAILABLE PRESSURE |

| ITEM | TAG | MANUFACTURER | SERIES | MODEL | GPM | TDH | HP | RPM | VOLTS/PH/PH | ENCLOSURE |
|------|-----|--------------|--------|--------------|-----|-----|----|------|--------------|-----------|
| 3 | P-3 | GOULDS | NPE | 1.25 X 1.5-6 | - | - | 2 | 3500 | 460 / 60 / 3 | TEFC P.E. |
| 2 | P-2 | GOULDS | NPE | 1.25 X 1.5-6 | - | - | 2 | 3500 | 460 / 60 / 3 | TEFC P.E. |
| 1 | P-1 | GOULDS | NPE | 1.25 X 1.5-6 | - | - | 2 | 3500 | 460 / 60 / 3 | TEFC P.E. |

PUMP SCHEDULE

| ITEM | QTY | TAG | DESCRIPTION |
|------|-----|-----|--|
| 10 | - | - | UNION BALL VALVE - 2" |
| 9 | - | - | CLA-VAL CHECK VALVE - 1 1/2" |
| 8 | - | - | GOULDS NPE STAINLESS STEEL 1.25 X 1.5-6 END SUCTION PUMP |
| 7 | - | - | GOULDS NPE STAINLESS STEEL 1.25 X 1.5-6 END SUCTION PUMP |
| 6 | 6 | - | GOULDS NPE STAINLESS STEEL 1.25 X 1.5-6 END SUCTION PUMP |
| 5 | 3 | - | VARIABLE SPEED PUMP CONTROL PANEL |
| 4 | 1 | P-3 | GOULDS NPE STAINLESS STEEL 1.25 X 1.5-6 END SUCTION PUMP |
| 3 | 1 | P-2 | GOULDS NPE STAINLESS STEEL 1.25 X 1.5-6 END SUCTION PUMP |
| 2 | 1 | P-1 | GOULDS NPE STAINLESS STEEL 1.25 X 1.5-6 END SUCTION PUMP |
| 1 | 1 | - | VARIABLE SPEED PUMP CONTROL PANEL |

EQUIPMENT SCHEDULE

FlowTHeM systems
HAYWARD, CALIFORNIA

PROJECT NAME:
CUSTOMER:
DRAWN BY DATE: 12/22/14
CHECKED BY APPROVED BY:
ACD

TOLERANCES UNLESS OTHERWISE SPECIFIED:
DEC. .500"
FRAC. 1/2"
ANGLE 5"
SCALE 1" = 1'-0"

DRAWING NO. FEV3-2
FAB NO. FEV3-2
DRAWING TITLE: FEV3-2 - VARIABLE SPEED TRIPLEX PRESSURE BOOSTER

REV 1

THIS DRAWING AND THE INFORMATION SPECIFIED THEREIN ARE THE PROPERTY OF FLOWTHERM SYSTEMS, A DIVISION OF CHC. COPIES ARE ISSUED IN STRICT CONFIDENCE AND SHALL NOT BE LOANED, REPRODUCED, COPIED, OR USED FOR ANY OTHER PURPOSE WITHOUT THE WRITTEN PERMISSION OF CHC.

UL LISTED
PACKAGED PUMPING SYSTEMS & HEAT TRANSFER SYSTEMS

APPROXIMATE SHIPPING WEIGHT: 874 LBS.
APPROXIMATE OPERATING WEIGHT: 945 LBS.

GENERAL NOTES:
(1) SINGLE POINT POWER CONNECTION AT CONTROL PANEL.
(2) HYDRO PRESSURE CHECK AT 125 PSI.
(3) ASSEMBLED SYSTEM TO BE PAINTED WITH INDUSTRIAL MACHINE ENAMEL PRIOR TO SHIPMENT.

= DENOTES CONTRACTOR POINT OF CONNECTION