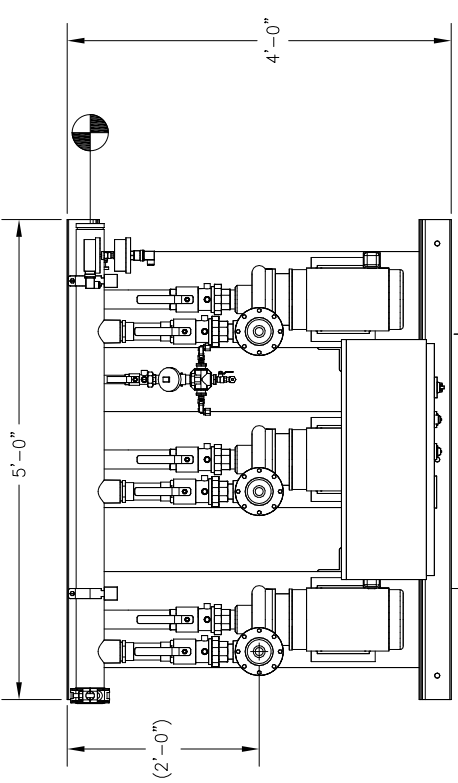
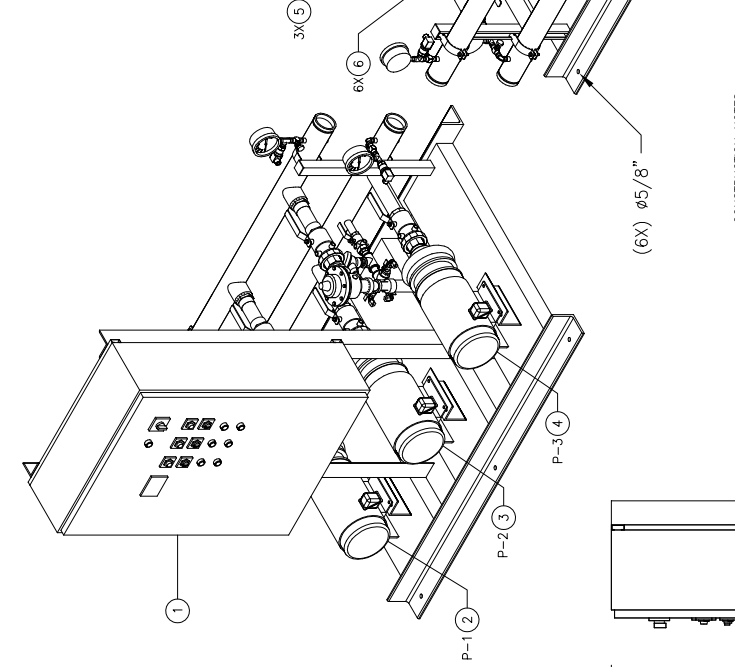
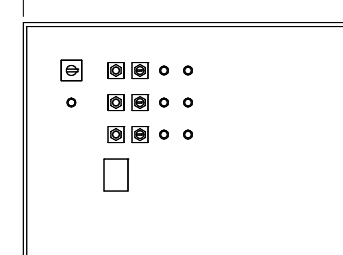


RELIEF VALVES AND EQUIPMENT DRAINS TO BE PIPED TO DRAIN OR VENT BY CONTRACTOR PER CODE REQUIREMENTS.

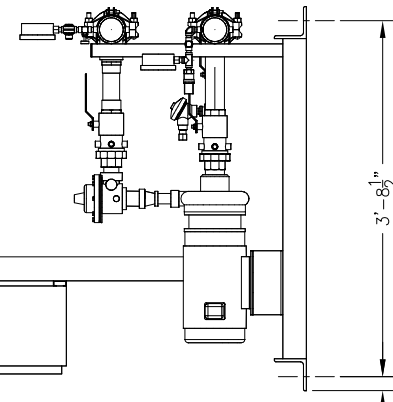
ALL BOLTING AND ANCHORAGE TO BE IN COMPLIANCE WITH LOCAL CODES AND ANY SEISMIC REQUIREMENTS.



42" SERVICE CLEARANCE REQUIRED IN FRONT OF CONTROL PANEL



FRONT VIEW



RIGHT END VIEW

CONSTRUCTION NOTES:
 1. SUCTION AND DISCHARGE HEADERS ARE GROOVED ON BOTH ENDS.
 2. END CAPS CAN BE PLACED ON EITHER END OF HEADERS.
 3. SYSTEM DESIGNED FOR INDOOR INSTALLATION.

- GPM		- PSI		- PSI	
TOTAL FLOW		TOTAL DISCHARGE PRESSURE		AVAILABLE PRESSURE	
3	P-3	3656	1 X 2-7	-	5
2	P-2	3656	1 X 2-7	-	5
1	P-1	3656	1 X 2-7	-	5

ITEM	TAG	MANUFACTURER	SERIES	MODEL	GPM	TDH	HP	RPM	VOLTS/4Z/PH	ENCLOSURE	
3	P-3	GOULDS	3656	1 X 2-7	-	-	-	5	3500	460 / 60 / 3	TEFC P.E.
2	P-2	GOULDS	3656	1 X 2-7	-	-	-	5	3500	460 / 60 / 3	TEFC P.E.
1	P-1	GOULDS	3656	1 X 2-7	-	-	-	5	3500	460 / 60 / 3	TEFC P.E.

TOTAL SYSTEM CAPACITY		PUMP SCHEDULE	
10	-	-	-
9	-	-	-
8	-	-	-
7	-	-	-
6	6	-	UNION BALL VALVE - 2"
5	3	-	CLA-VAL CHECK VALVE - 1 1/2"
4	1	P-3	GOULDS 3656 S 1 X 2-7 BRONZE FITTED END SUCTION CAST IRON PUMP
3	1	P-2	GOULDS 3656 S 1 X 2-7 BRONZE FITTED END SUCTION CAST IRON PUMP
2	1	P-1	GOULDS 3656 S 1 X 2-7 BRONZE FITTED END SUCTION CAST IRON PUMP
1	1	-	VARIABLE SPEED PUMP CONTROL PANEL

UL LISTED
 PACKAGED PUMPING SYSTEMS & HEAT TRANSFER SYSTEMS

APPROXIMATE SHIPPING WEIGHT: 1,291 LBS.
 APPROXIMATE OPERATING WEIGHT: 1,365 LBS.

GENERAL NOTES:
 (1) SINGLE POINT POWER CONNECTION AT CONTROL PANEL.
 (2) HYDRO PRESSURE CHECK AT 125 PSI.
 (3) ASSEMBLED SYSTEM TO BE PAINTED WITH INDUSTRIAL MACHINE ENAMEL PRIOR TO SHIPMENT.

PROJECT NAME:
 CUSTOMER:
 DRAWN BY DATE: 12/23/14
 CHECKED BY APPROVED BY:
 TOLERANCES UNLESS OTHERWISE SPECIFIED
 DEC. .500" 1/2" ANGLE 5" SCALE 1" = 1'-0"

EQUIPMENT SCHEDULE
 DESCRIPTION

FlowTherm systems
 HAYWARD, CALIFORNIA

DRAWING NO. FEV3-4
 FAB NO. FEV3-4
 FEV3-4 - VARIABLE SPEED TRIPLEX PRESSURE BOOSTER

REV 1