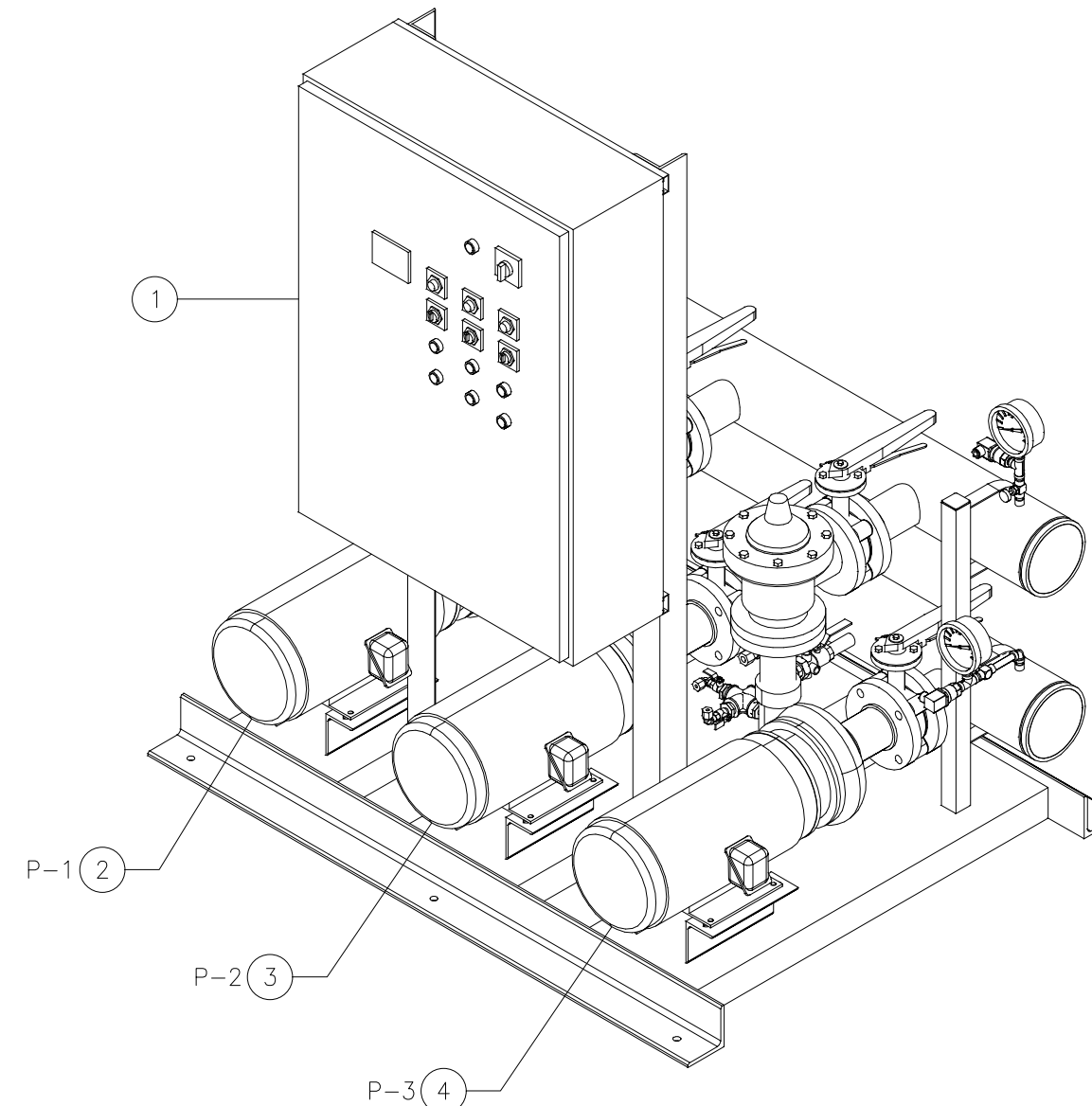


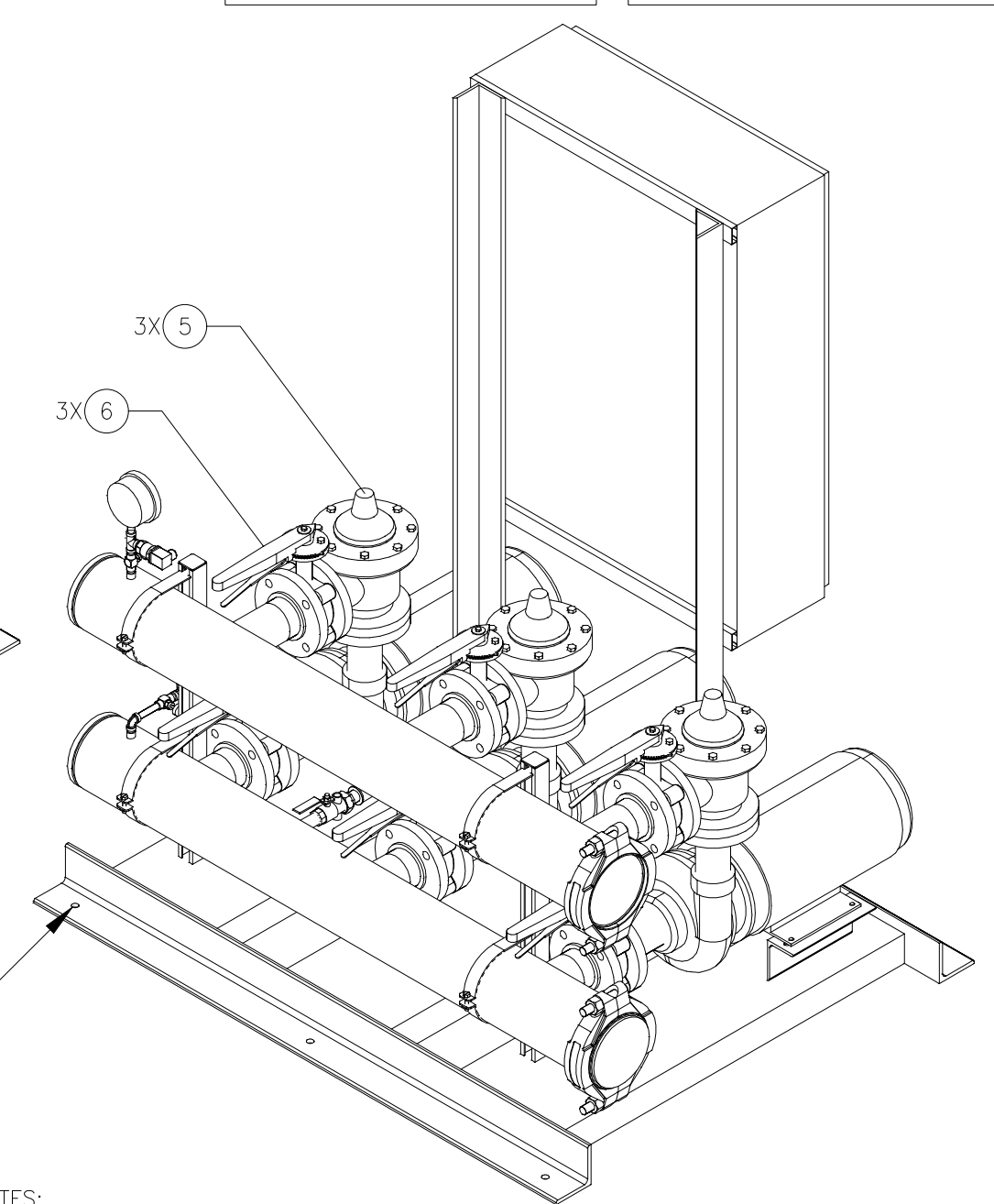
42" SERVICE CLEARANCE
REQUIRED IN FRONT
OF CONTROL PANEL

TOP VIEW



RELIEF VALVES AND
EQUIPMENT DRAINS
TO BE PIPED TO DRAIN
OR VENT BY CONTRACTOR
PER CODE REQUIREMENT

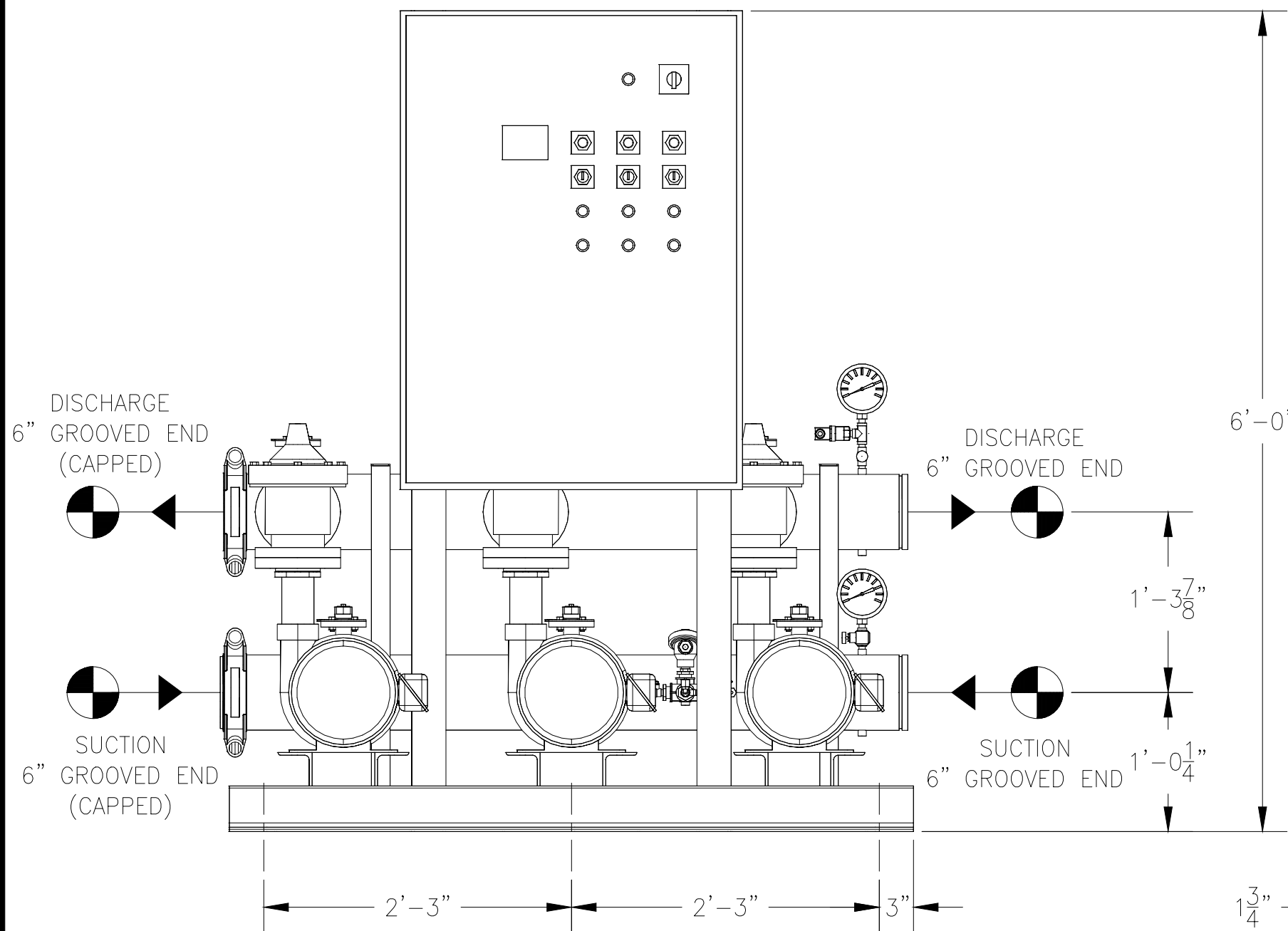
ALL BOLTING AND ANCHORAGE
TO BE IN COMPLIANCE WITH
LOCAL CODES AND ANY
SEISMIC REQUIREMENTS.



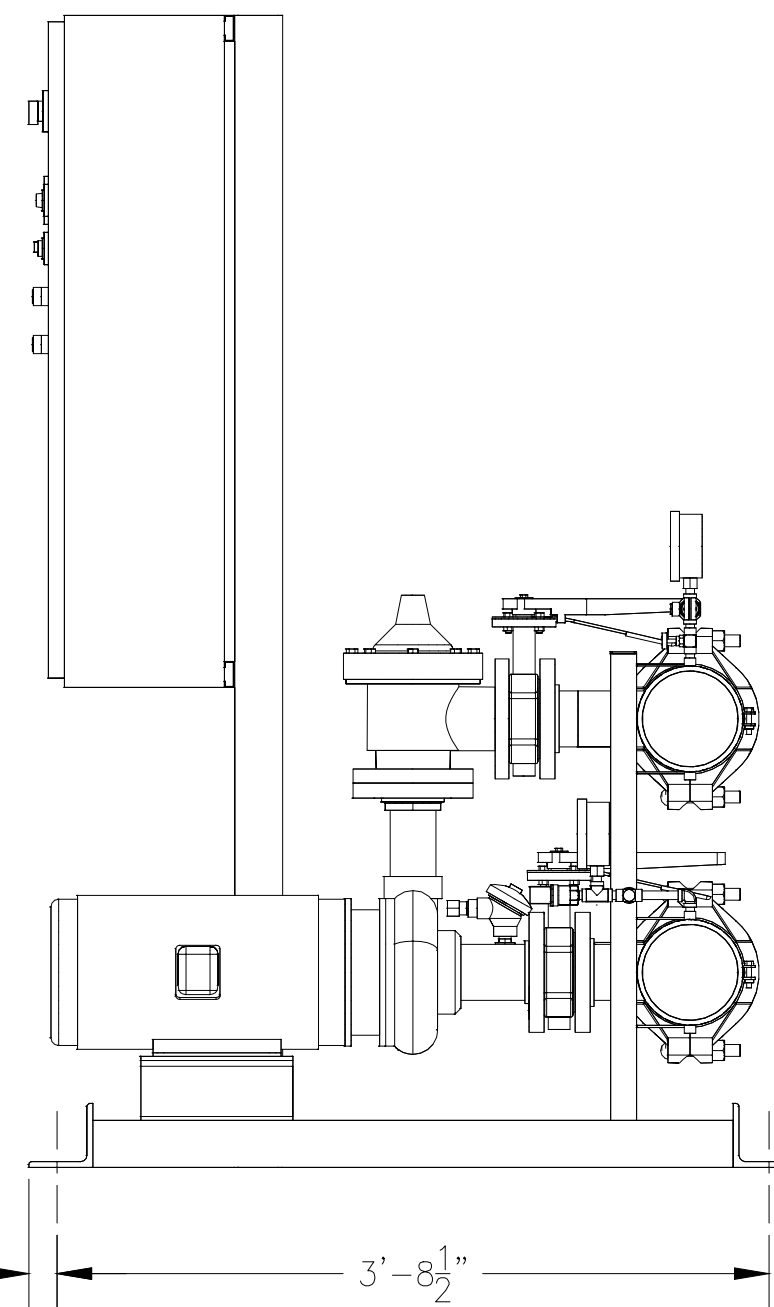
(6X) Ø5/8"

CONSTRUCTION NOTES:

- SUCTION AND DISCHARGE HEADERS ARE GROOVED ON BOTH ENDS.
- END CAPS CAN BE PLACED ON EITHER END OF HEADERS.
- SYSTEM DESIGNED FOR INDOOR INSTALLATION.



FRONT VIEW



RIGHT END VIEW

GPM	PSI	
TOTAL FLOW	TOTAL DISCHARGE PRESSURE	AVAILABLE PRESSURE
TOTAL SYSTEM CAPACITY		

ITEM	TAG	MANUFACTURER	SERIES	MODEL	GPM	TDH	HP	RPM	VOLTS/HZ/PH	ENCLOSURE
3	P-3	GOULDS	3656	2 1/2 X 3-7	10					
2	P-2	GOULDS	3656	2 1/2 X 3-7	10					
1	P-1	GOULDS	3656	2 1/2 X 3-7	10					

PUMP SCHEDULE

ITEM	QTY	TAG	DESCRIPTION
10	-	-	-
9	-	-	-
8	-	-	-
7	-	-	-
6	6	-	LUG TYPE BUTTERFLY VALVE - 3"
5	3	-	CLA-VAL CHECK VALVE - 3"
4	1	P-3	GOULDS 3656 S 2 1/2 X 3-7 BRONZE FITTED END SUCTION CAST IRON PUMP
3	1	P-2	GOULDS 3656 S 2 1/2 X 3-7 BRONZE FITTED END SUCTION CAST IRON PUMP
2	1	P-1	GOULDS 3656 S 2 1/2 X 3-7 BRONZE FITTED END SUCTION CAST IRON PUMP
1	1	-	VARIABLE SPEED PUMP CONTROL PANEL

EQUIPMENT SCHEDULE

GENERAL NOTES:

- SINGLE POINT POWER CONNECTION AT CONTROL PANEL.
- HYDRO PRESSURE CHECK AT 125 PSI.
- ASSEMBLED SYSTEM TO BE PAINTED WITH INDUSTRIAL MACHINE ENAMEL PRIOR TO SHIPMENT.

= DENOTES CONTRACTOR POINT OF CONNECTION



LISTED
PACKAGED PUMPING SYSTEMS
& HEAT TRANSFER SYSTEMS

APPROXIMATE SHIPPING WEIGHT: 1,855 LBS.
APPROXIMATE OPERATING WEIGHT: 2,040 LBS.

THIS DRAWING AND THE INFORMATION DEPICTED THEREIN IS THE PROPERTY OF FLOWTHERM SYSTEMS, A DIVISION OF CHC. COPIES ARE ISSUED IN STRICT CONFIDENCE AND SHALL NOT BE REPRODUCED, COPIED, OR USED AS THE BASIS FOR MANUFACTURING OR SALE OF PRODUCT WITHOUT PRIOR WRITTEN PERMISSION OF CHC.



PROJECT NAME:

CUSTOMER:

DRAWN BY DATE: ACB 01/05/15
CHECKED BY APPROVED BY:

TOLERANCES UNLESS OTHERWISE SPECIFIED
DEC. .500" FRAC. 1/2" ANGLE 5° SIZE C SCALE 1" = 1'-0"



DRAWING TITLE:
FEV3-19 - VARIABLE SPEED TRIPLEX PRESSURE BOOSTER

FAB No. DRAWING No. FEV3-19 REV