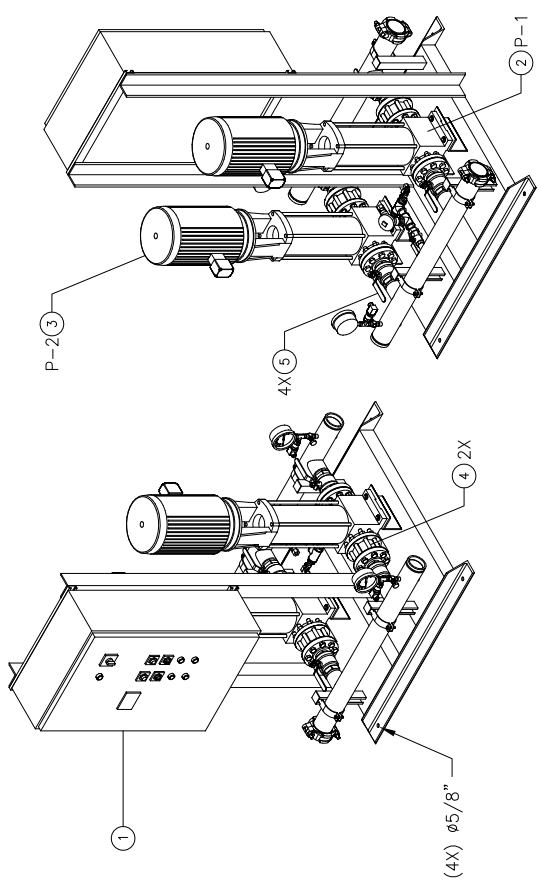


RELIEF VALVES AND ANCHORAGE EQUIPMENT DRAINS TO BE IN COMPLIANCE WITH LOCAL CODES AND ANY SEISMIC REQUIREMENTS.

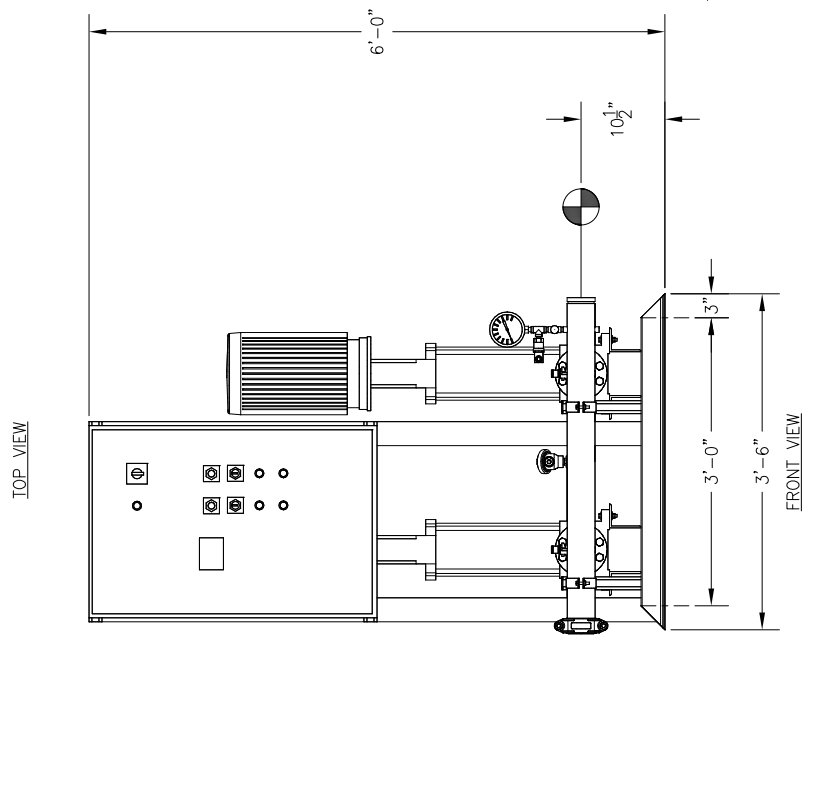
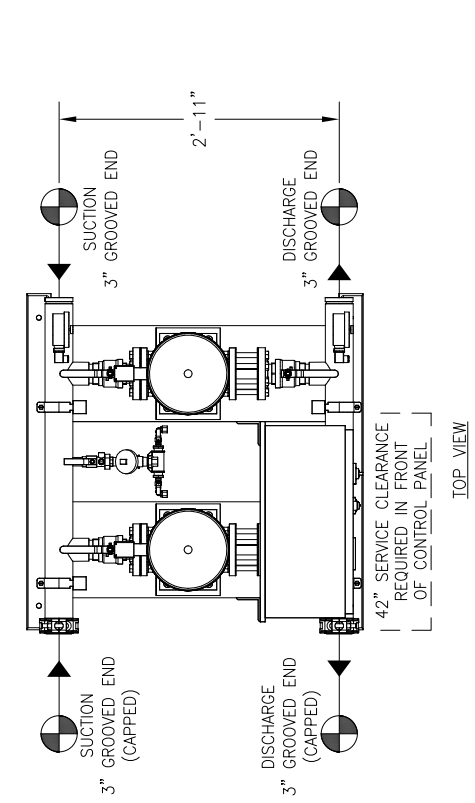
RELIEF VALVES AND EQUIPMENT DRAINS TO BE PIPED TO DRAIN OR VENT BY CONTRACTOR PER CODE REQUIREMENT.



CONSTRUCTION NOTES:
 1. SUCTION AND DISCHARGE HEADERS ARE GROOVED ON BOTH ENDS.
 2. END CAPS CAN BE PLACED ON EITHER END OF HEADERS.
 3. SYSTEM DESIGNED FOR INDOOR INSTALLATION.

TOTAL FLOW		- PSI		- PSI		- PSI	
TOTAL DISCHARGE PRESSURE		TOTAL SYSTEM CAPACITY		AVAILABLE PRESSURE			
3	P-2	GOULDS	ESV	15SVG-8	-	15	3500
2	P-1	GOULDS	ESV	15SVG-8	-	15	3500
ITEM	TAG	MANUFACTURER	SERIES	MODEL	GPM	TDH	HP
PUMP SCHEDULE							
10	-	-	-	-	-	-	-
9	-	-	-	-	-	-	-
8	-	-	-	-	-	-	-
7	-	-	-	-	-	-	-
6	-	-	-	-	-	-	-
5	4	-	-	-	-	-	-
4	2	-	-	-	-	-	-
3	1	P-2	GOULDS	ESV MULTI-STAGE PUMP	MODEL 15SVG-8	-	-
2	1	P-1	GOULDS	ESV MULTI-STAGE PUMP	MODEL 15SVG-8	-	-
1	1	-	AQUALOGIC XL	CONTROL PANEL	-	-	-
ITEM	QTY	TAG	DESCRIPTION				

EQUIPMENT SCHEDULE	
PROJECT NAME:	
CUSTOMER:	
DRAWN BY DATE:	04/19/18
ACD	
CHECKED BY APPROVED BY:	
TOLERANCES UNLESS OTHERWISE SPECIFIED	
DEC. .500"	
FRACTION 1/2"	
ANGLE 5°	
SCALE 1" = 1'-0"	
FAB NO.	FW2.0-8-XL
DRAWING NO.	
REV	1



THIS DRAWING AND THE INFORMATION SPECIFIED THEREIN ARE THE PROPERTY OF FLOWTHERM SYSTEMS, A DIVISION OF CHC. COPIES ARE ISSUED IN STRICT CONFIDENCE AND SHALL NOT BE LOANED, REPRODUCED, COPIED, OR USED FOR ANY PURPOSE WITHOUT THE WRITTEN PERMISSION OF CHC.

UL LISTED
 PACKAGED PUMPING SYSTEMS & HEAT TRANSFER SYSTEMS

APPROXIMATE SHIPPING WEIGHT: 1,157 LBS.
 APPROXIMATE OPERATING WEIGHT: 1,194 LBS.

GENERAL NOTES:
 (1) SINGLE POINT POWER CONNECTION AT CONTROL PANEL.
 (2) HYDRO PRESSURE CHECK AT 125 PSI.
 (3) ASSEMBLED SYSTEM TO BE PAINTED WITH INDUSTRIAL MACHINE ENAMEL PRIOR TO SHIPMENT.

= DENOTES CONTRACTOR POINT OF CONNECTION