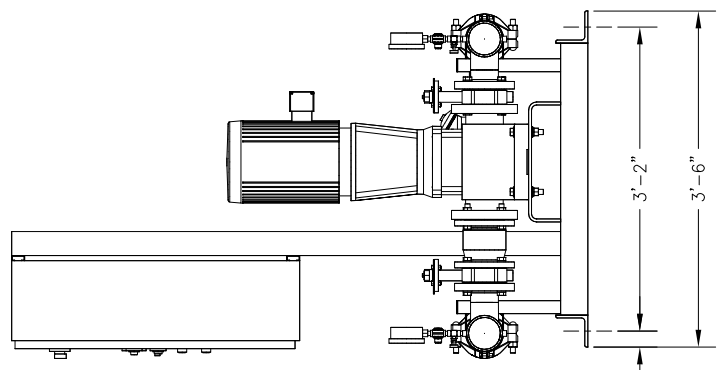
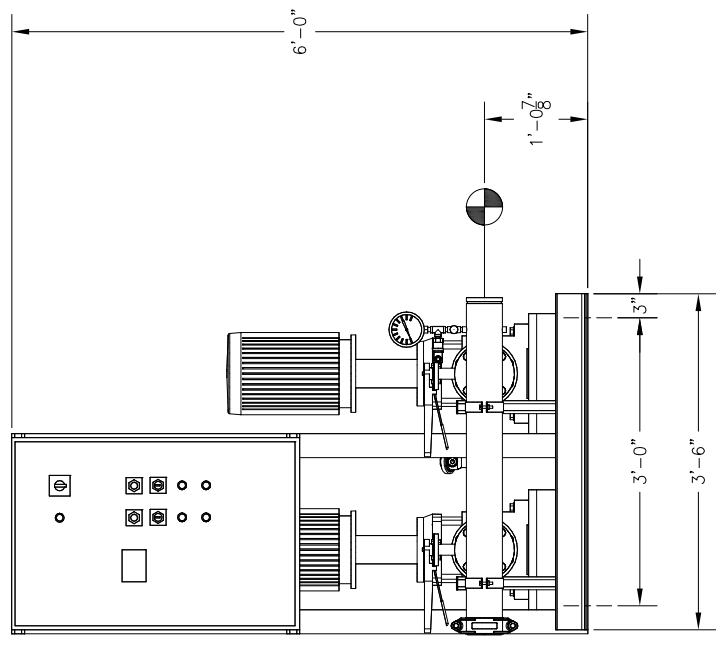
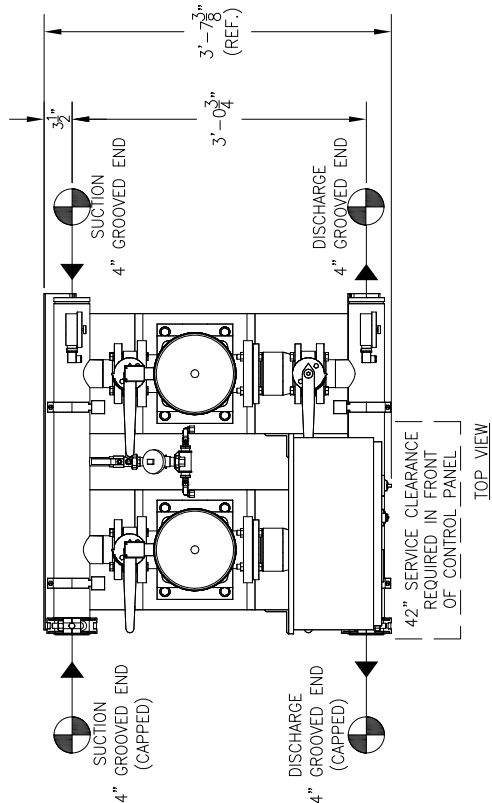
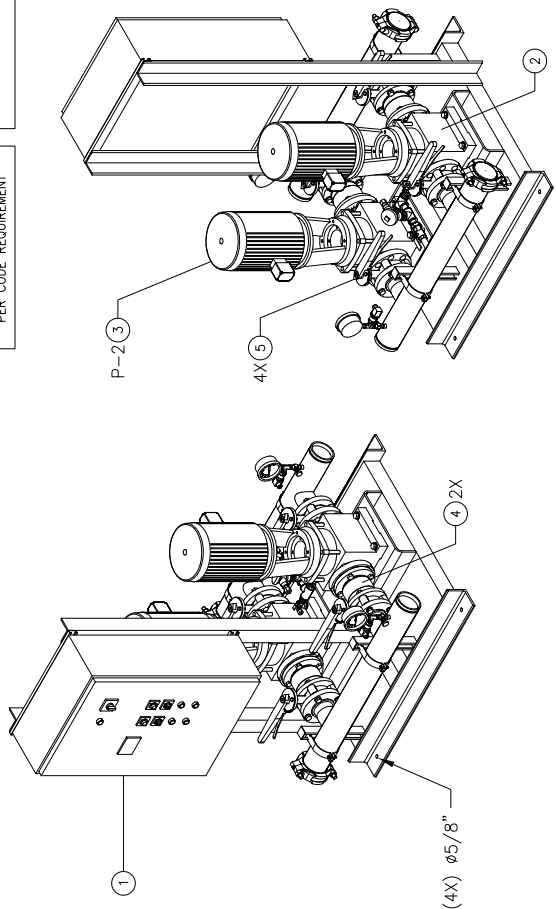


RELIEF VALVES AND ANCHORAGE TO BE IN COMPLIANCE WITH LOCAL CODES AND ANY SEISMIC REQUIREMENTS.

RELIEF VALVES AND EQUIPMENT DRAINS TO BE PIPED TO DRAIN OR VENT BY CONTRACTOR PER CODE REQUIREMENT.



CONSTRUCTION NOTES:  
 1. SUCTION AND DISCHARGE HEADERS ARE GROOVED ON BOTH ENDS.  
 2. END CAPS CAN BE PLACED ON EITHER END OF HEADERS.  
 3. SYSTEM DESIGNED FOR INDOOR INSTALLATION.

- GPM		- PSI		- PSI	
TOTAL FLOW	TOTAL DISCHARGE PRESSURE	TOTAL SYSTEM CAPACITY	AVAILABLE PRESSURE		
3	465VG-1	ESV	465VG-1	ESV	465VG-1
2	465VG-1	ESV	465VG-1	ESV	465VG-1
1	465VG-1	ESV	465VG-1	ESV	465VG-1

ITEM	TAG	MANUFACTURER	SERIES	MODEL	GPM	TDH	HP	RPM	VOLTS/PH	ENCLOSURE
3	P-2	GOULDS	ESV	465VG-1	-	-	10	3500	460 / 60 / 3	TEFC P.E.
2	P-1	GOULDS	ESV	465VG-1	-	-	10	3500	460 / 60 / 3	TEFC P.E.
1	P-1	GOULDS	ESV	465VG-1	-	-	10	3500	460 / 60 / 3	TEFC P.E.

ITEM	QTY	TAG	DESCRIPTION
10	-	-	LUG TYPE BUTTERFLY VALVE - 3"
9	-	-	VAL-MATIC GLOBE CHECK VALVE - 3"
8	-	-	GOULDS ESV MULTISTAGE PUMP MODEL 465VG-1
7	-	-	GOULDS ESV MULTISTAGE PUMP MODEL 465VG-1
6	-	-	AQUALOGIC XL CONTROL PANEL

EQUIPMENT SCHEDULE	
PROJECT NAME:	
CUSTOMER:	
DRAWN BY DATE:	04/19/18
ACD	
CHECKED BY:	
TOLERANCES UNLESS OTHERWISE SPECIFIED	
DEC. 500"	
FRAC. 1/2"	
ANGLE 5"	
SCALE 1" = 1'-0"	
DRAWING NO.	FW2.0-13-XL
FAB NO.	
REV	1

THIS DRAWING AND THE INFORMATION SPECIFIED THEREIN ARE THE PROPERTY OF FLOWTEAM SYSTEMS, A DIVISION OF CHC. COPIES ARE ISSUED IN STRICT CONFIDENCE AND SHALL NOT BE LOANED, REPRODUCED, COPIED, OR USED FOR ANY OTHER PURPOSE WITHOUT THE WRITTEN PERMISSION OF CHC.

**UL LISTED**  
 PACKAGED PUMPING SYSTEMS & HEAT TRANSFER SYSTEMS

APPROXIMATE SHIPPING WEIGHT: 1,489 LBS.  
 APPROXIMATE OPERATING WEIGHT: 1,549 LBS.

GENERAL NOTES:  
 (1) SINGLE POINT POWER CONNECTION AT CONTROL PANEL.  
 (2) HYDRO PRESSURE CHECK AT 125 PSI.  
 (3) ASSEMBLED SYSTEM TO BE PAINTED WITH INDUSTRIAL MACHINE ENAMEL PRIOR TO SHIPMENT.

= DENOTES CONTRACTOR POINT OF CONNECTION

