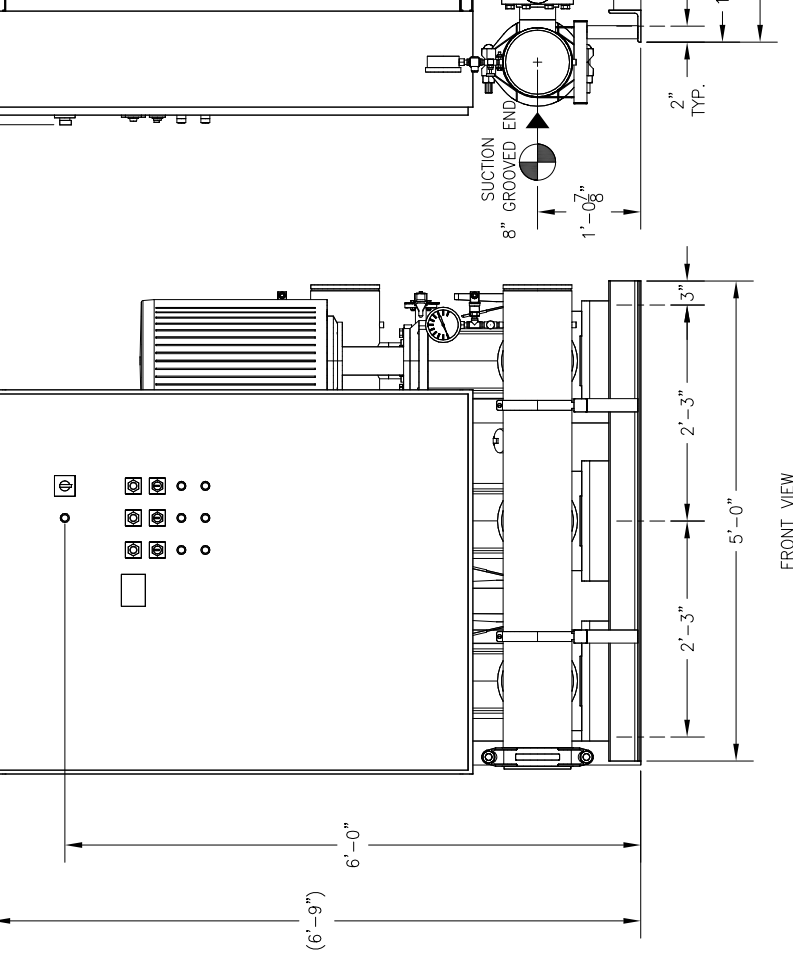
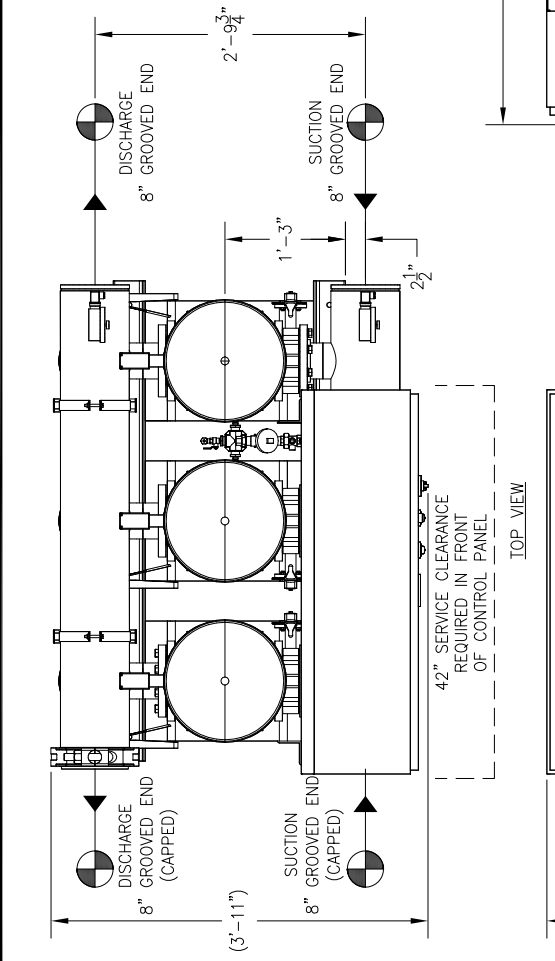
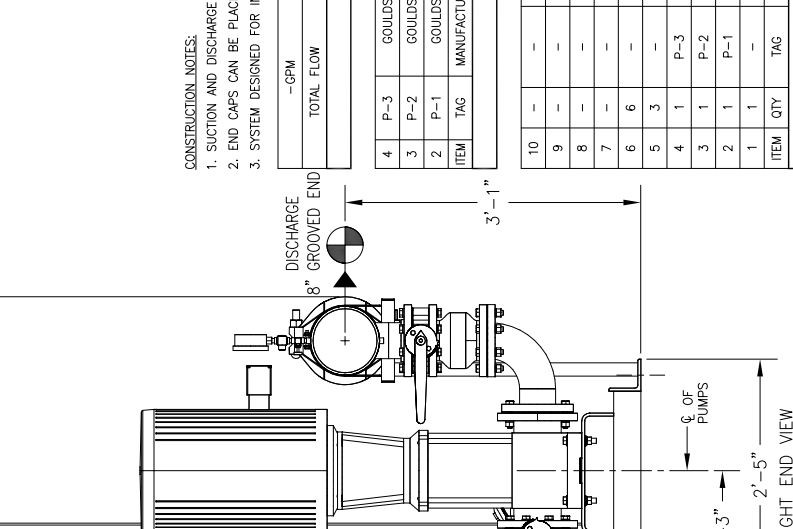
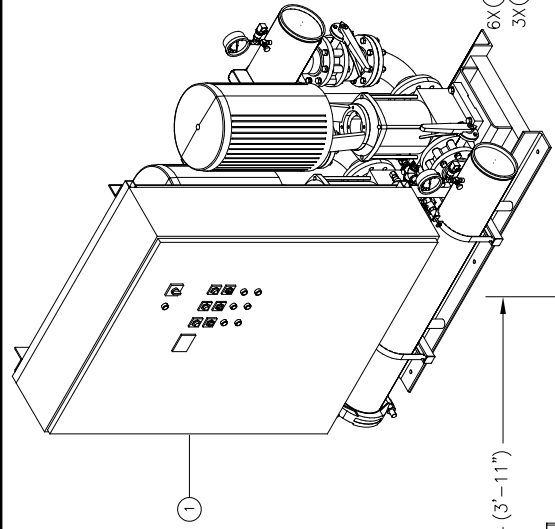


CONSTRUCTION NOTES:
 1. SUCTION AND DISCHARGE HEADERS ARE GROOVED ON BOTH ENDS.
 2. END CAPS CAN BE PLACED ON EITHER END OF HEADERS.
 3. SYSTEM DESIGNED FOR INDOOR INSTALLATION.

-GPM		-PSI		-PSI						
TOTAL FLOW		TOTAL DISCHARGE PRESSURE		AVAILABLE PRESSURE						
4	P-3	GOULDS	66SVG-3	-	40					
3	P-2	GOULDS	66SVG-3	-	40					
2	P-1	GOULDS	66SVG-3	-	40					
ITEM	TAG	MANUFACTURER	SERIES	MODEL	GPM	TDH	HP	RPM	VOLTS/ØZ/PH	ENCLOSURE
PUMP SCHEDULE										
10	-	-	-	-	-	-	-	-	-	-
9	-	-	-	-	-	-	-	-	-	-
8	-	-	-	-	-	-	-	-	-	-
7	-	-	-	-	-	-	-	-	-	-
6	6	-	-	LUG TYPE BUTTERFLY VALVE	-	4"	-	-	-	-
5	3	-	-	VAL-MATIC GLOBE CHECK VALVE	-	4"	-	-	-	-
4	1	P-3	GOULDS	ESV MULTISTAGE PUMP	MODEL	66SVG-3	-	-	-	-
3	1	P-2	GOULDS	ESV MULTISTAGE PUMP	MODEL	66SVG-3	-	-	-	-
2	1	P-1	GOULDS	ESV MULTISTAGE PUMP	MODEL	66SVG-3	-	-	-	-
1	1	-	-	AQUALOGIC XL CONTROL PANEL	-	-	-	-	-	-



EQUIPMENT SCHEDULE	
ITEM	DESCRIPTION
10	-
9	-
8	-
7	-
6	6
5	3
4	1
3	1
2	1
1	1

PROJECT NAME: _____
 CUSTOMER: _____
 DRAWN BY DATE: _____
 ACD 04/04/18
 CHECKED BY APPROVED BY: _____
 TOLERANCES UNLESS OTHERWISE SPECIFIED
 DEC. .500"
 FRACTION 1/2"
 ANGLE 5"
 SCALE 1" = 1'-0"

THIS DRAWING AND THE INFORMATION SPECIFIED THEREIN ARE THE PROPERTY OF FLOWTECH SYSTEMS, A DIVISION OF CHC. COPIES ARE ISSUED IN STRICT CONFIDENCE AND SHALL NOT BE REPRODUCED OR TRANSMITTED IN ANY FORM OR BY ANY MEANS, ELECTRONIC OR MECHANICAL, INCLUDING PHOTOCOPYING, RECORDING, OR BY ANY INFORMATION STORAGE AND RETRIEVAL SYSTEM, WITHOUT THE WRITTEN PERMISSION OF CHC.

UL LISTED
 PACKAGED PUMPING SYSTEMS & HEAT TRANSFER SYSTEMS
 APPROXIMATE SHIPPING WEIGHT: 3,521 LBS.
 APPROXIMATE OPERATING WEIGHT: 3,643 LBS.

GENERAL NOTES:
 (1) SINGLE POINT POWER CONNECTION AT CONTROL PANEL.
 (2) HYDRO PRESSURE CHECK AT 125 PSI.
 (3) ASSEMBLED SYSTEM TO BE PAINTED WITH INDUSTRIAL MACHINE ENAMEL PRIOR TO SHIPMENT.
 = DENOTES CONTRACTOR POINT OF CONNECTION



DRAWING TITLE: FM3.1-21-XL - VARIABLE SPEED TRIPLEX PRESSURE BOOSTER
 DRAWING NO. FMS.1-21-XL
 REV 1