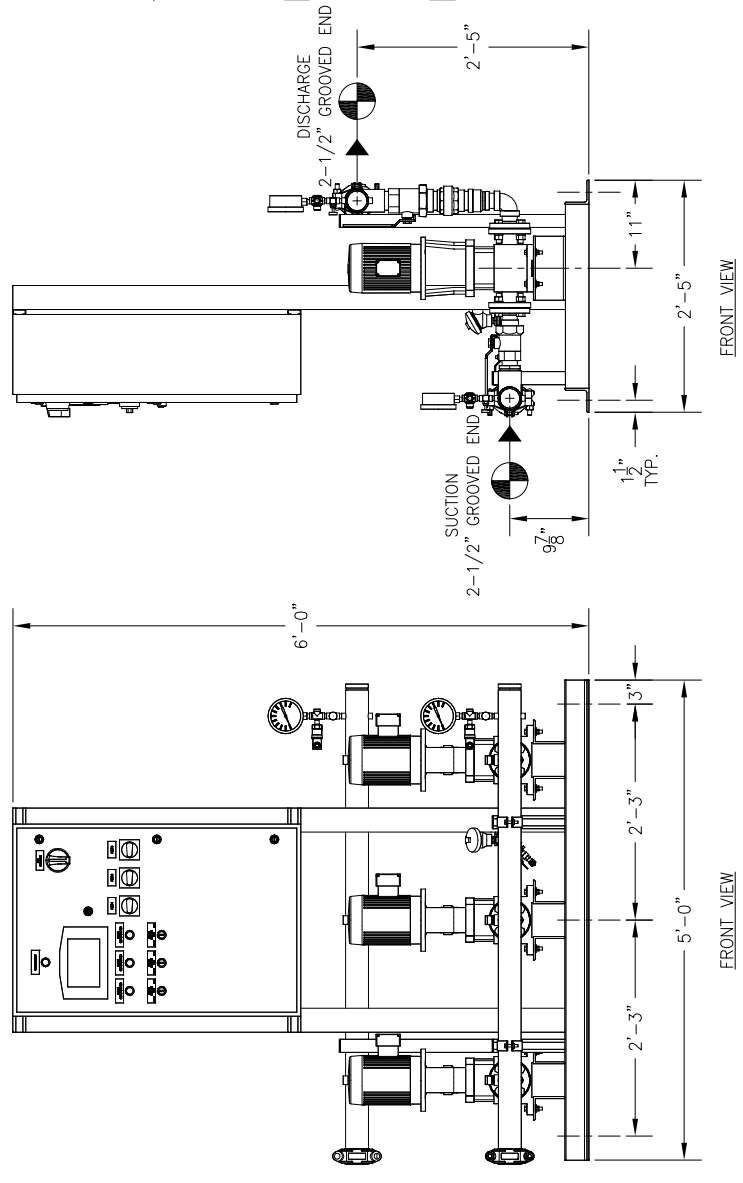
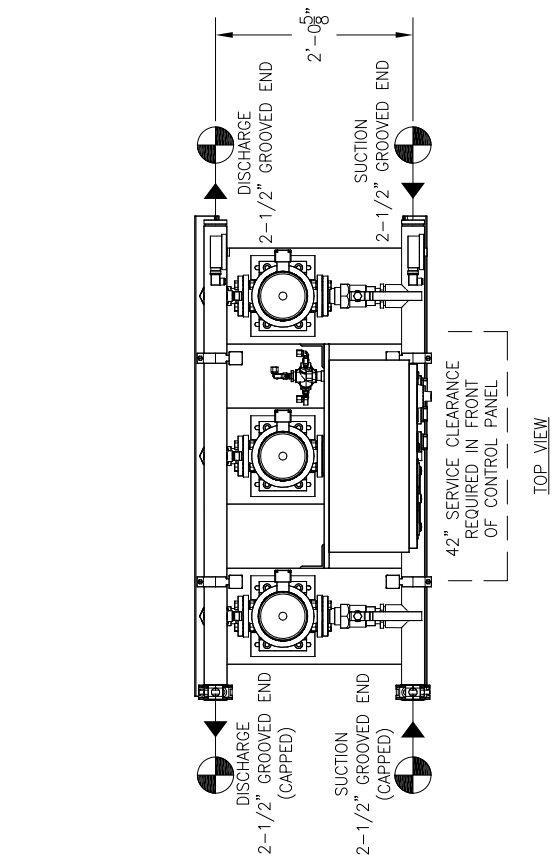
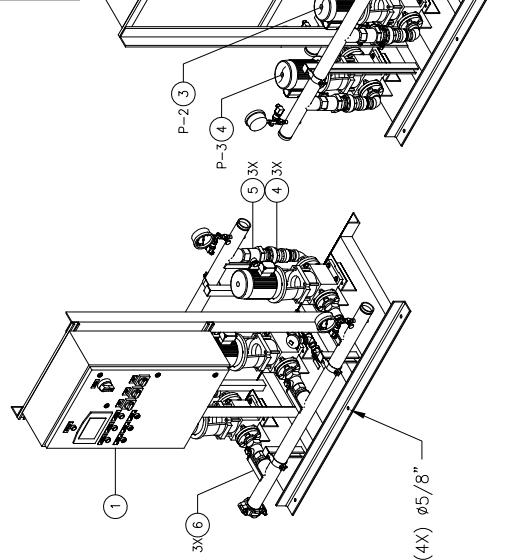


RELIEF VALVES AND ANCHORAGE EQUIPMENT DRAINS TO BE PIPED TO DRAIN OR VENT BY CONTRACTOR PER CODE REQUIREMENTS.



CONSTRUCTION NOTES:
 1. SUCTION AND DISCHARGE HEADERS ARE GROOVED ON BOTH ENDS.
 2. END CAPS CAN BE PLACED ON EITHER END OF HEADERS.
 3. SYSTEM DESIGNED FOR INDOOR INSTALLATION.

- GPM		- PSI		- PSI											
TOTAL FLOW		TOTAL DISCHARGE PRESSURE		AVAILABLE PRESSURE											
TOTAL SYSTEM CAPACITY															
4	P-3	GOULDS	ESV	5SVG-3	-	-	1	3500	460	/	60	/	3	TEFC	P.E.
3	P-2	GOULDS	ESV	5SVG-3	-	-	1	3500	460	/	60	/	3	TEFC	P.E.
2	P-1	GOULDS	ESV	5SVG-3	-	-	1	3500	460	/	60	/	3	TEFC	P.E.
ITEM	TAG	MANUFACTURER	SERIES	MODEL	TDH	HP	RPM	VOLTS/42/PH ENCLOSURE							

PUMP SCHEDULE		EQUIPMENT SCHEDULE	
ITEM	QTY	TAG	DESCRIPTION
10	-	-	-
9	-	-	-
8	-	-	-
7	3	-	APOLLO SINGLE UNION BALL VALVE MODEL 70LF-307-01 - 1 1/2"
6	3	-	APOLLO SINGLE UNION BALL VALVE MODEL 70LF-308-01 - 2"
5	3	-	BONOMI IN-LINE CHECK VALVE - 2"
4	1	P-3	GOULDS ESV MULTI-STAGE PUMP MODEL 5SVG-3
3	1	P-2	GOULDS ESV MULTI-STAGE PUMP MODEL 5SVG-3
2	1	P-1	GOULDS ESV MULTI-STAGE PUMP MODEL 5SVG-3
1	1	-	AQUALOGIC XL CONTROL PANEL

GENERAL NOTES:
 (1) SINGLE POINT POWER CONNECTION AT CONTROL PANEL.
 (2) HYDRO PRESSURE CHECK AT 125 PSI.
 (3) ASSEMBLED SYSTEM TO BE PAINTED WITH INDUSTRIAL MACHINE ENAMEL PRIOR TO SHIPMENT.

UL LISTED
 PACKAGED PUMPING SYSTEMS & HEAT TRANSFER SYSTEMS

APPROXIMATE SHIPPING WEIGHT: 940 LBS.
 APPROXIMATE OPERATING WEIGHT: 980 LBS.

PROJECT NAME: _____
 CUSTOMER: _____
 DRAWN BY DATE: _____
 ACQ 09/16/19
 CHECKED BY APPROVED BY: _____
 TOLERANCES UNLESS OTHERWISE SPECIFIED:
 DEC. .500" FRACTION 1/2" ANGLE 5" SCALE 1" = 1'-0"

DRAWING TITLE: FMV3.1-LH-XL - VARIABLE SPEED TRIPLEX PRESSURE BOOSTER
 DRAWING NO. FMV3.1-LH-XL
 REV. 1

FlowTherm systems
 HAYWARD, CALIFORNIA