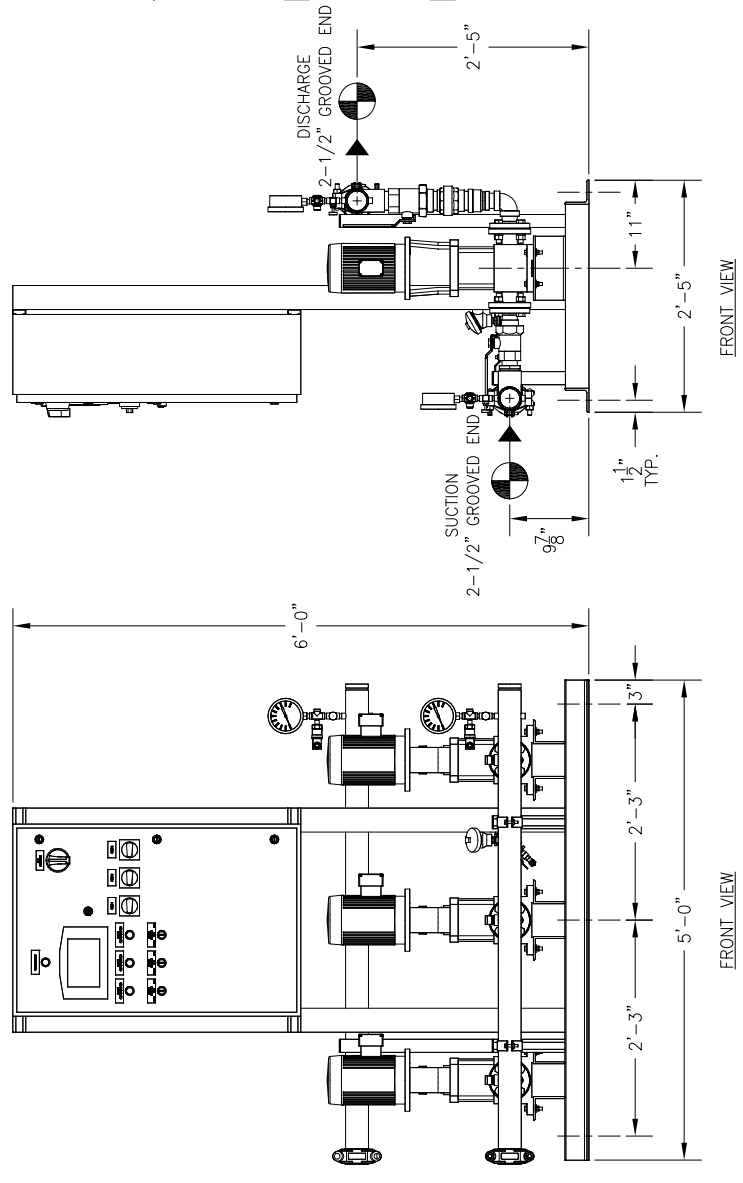
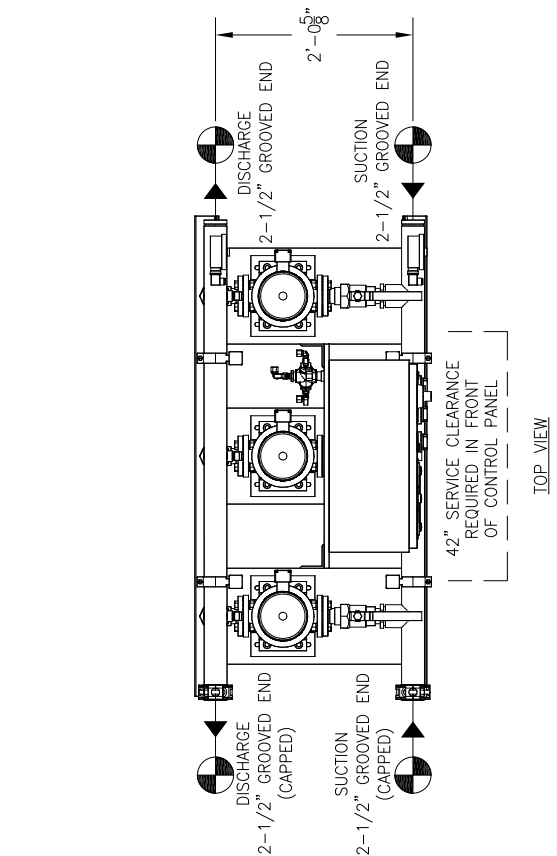
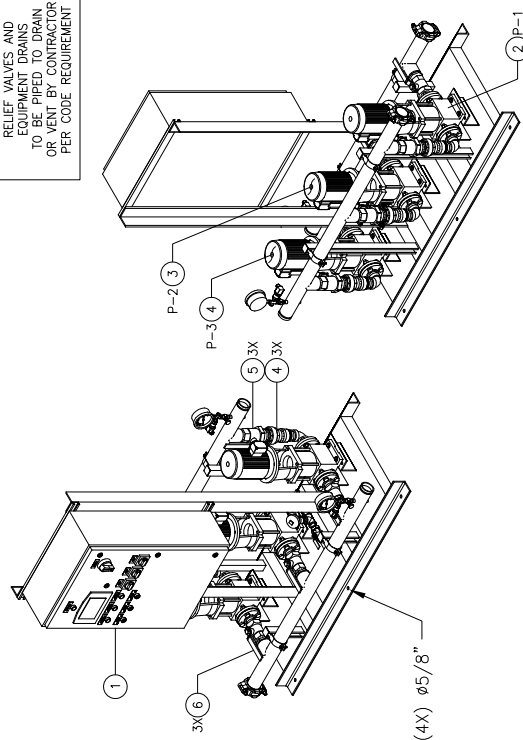


RELIEF VALVES AND ANCHORAGE EQUIPMENT DRAINS TO BE IN COMPLIANCE WITH LOCAL CODES AND ANY SEISMIC REQUIREMENTS.

RELIEF VALVES AND ANCHORAGE EQUIPMENT DRAINS TO BE PIPED TO DRAIN OR VENT BY CONTRACTOR PER CODE REQUIREMENT



CONSTRUCTION NOTES:  
 1. SUCTION AND DISCHARGE HEADERS ARE GROOVED ON BOTH ENDS.  
 2. END CAPS CAN BE PLACED ON EITHER END OF HEADERS.  
 3. SYSTEM DESIGNED FOR INDOOR INSTALLATION.

-GPM		-PSI		-PSI		-PSI				
TOTAL FLOW		TOTAL DISCHARGE PRESSURE		TOTAL DISCHARGE PRESSURE		AVAILABLE PRESSURE				
TOTAL SYSTEM CAPACITY										
4	P-3	GOULDS	ESV	5SVG-5	-	1 1/2	3500			
3	P-2	GOULDS	ESV	5SVG-5	-	1 1/2	3500			
2	P-1	GOULDS	ESV	5SVG-5	-	1 1/2	3500			
ITEM	TAG	MANUFACTURER	SERIES	MODEL	GPM	TDH	HP	RPM	VOLTS/ΔHZ/PH	ENCLOSURE

PUMP SCHEDULE		EQUIPMENT SCHEDULE	
ITEM	QTY	TAG	DESCRIPTION
10	-	-	-
9	-	-	-
8	-	-	-
7	3	-	APOLLO SINGLE UNION BALL VALVE MODEL 70LF-307-01 - 1 1/2"
6	3	-	APOLLO SINGLE UNION BALL VALVE MODEL 70LF-308-01 - 2"
5	3	-	BONOMI IN-LINE CHECK VALVE - 2"
4	1	P-3	GOULDS ESV MULTI-STAGE PUMP MODEL 5SVG-5
3	1	P-2	GOULDS ESV MULTI-STAGE PUMP MODEL 5SVG-5
2	1	P-1	GOULDS ESV MULTI-STAGE PUMP MODEL 5SVG-5
1	1	-	AQUALOGIC XL CONTROL PANEL

PROJECT NAME: \_\_\_\_\_  
 CUSTOMER: \_\_\_\_\_  
 DRAWN BY DATE: \_\_\_\_\_  
 ACQ 09/18/19  
 CHECKED BY APPROVED BY: \_\_\_\_\_  
 TOLERANCES UNLESS OTHERWISE SPECIFIED  
 DEC. 500" 1/2" 5" 1" = 1'-0"

THIS DRAWING AND THE INFORMATION SPECIFIED THEREIN IS THE PROPERTY OF FLOWTECH SYSTEMS, A DIVISION OF CHC. COPIES ARE ISSUED IN STRICT CONFIDENCE AND SHALL NOT BE REPRODUCED OR TRANSMITTED IN ANY FORM OR BY ANY MEANS, ELECTRONIC OR MECHANICAL, INCLUDING PHOTOCOPYING, RECORDING, OR BY ANY INFORMATION STORAGE AND RETRIEVAL SYSTEM, WITHOUT THE WRITTEN PERMISSION OF CHC.

**LISTED**  
 PACKAGED PUMPING SYSTEMS & HEAT TRANSFER SYSTEMS

APPROXIMATE SHIPPING WEIGHT: 910 LBS.  
 APPROXIMATE OPERATING WEIGHT: 950 LBS.

GENERAL NOTES:  
 (1) SINGLE POINT POWER CONNECTION AT CONTROL PANEL.  
 (2) HYDRO PRESSURE CHECK AT 125 PSI.  
 (3) ASSEMBLED SYSTEM TO BE PAINTED WITH INDUSTRIAL MACHINE ENAMEL PRIOR TO SHIPMENT.

= DENOTES CONTRACTOR POINT OF CONNECTION

**FlowTech systems**  
 HAYWARD, CALIFORNIA

DRAWING TITLE: FMW3.1-1-XL - VARIABLE SPEED TRIPLEX PRESSURE BOOSTER  
 DRAWING NO. FMW3.1-1-XL  
 REV 1