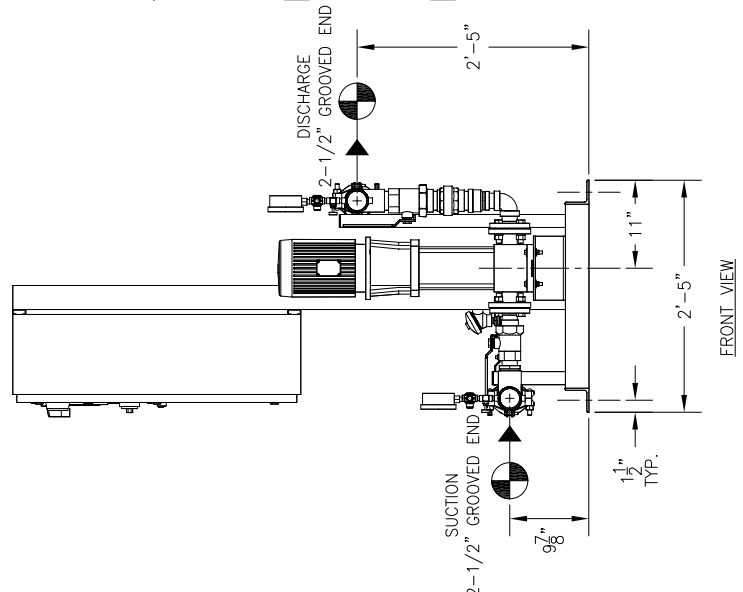
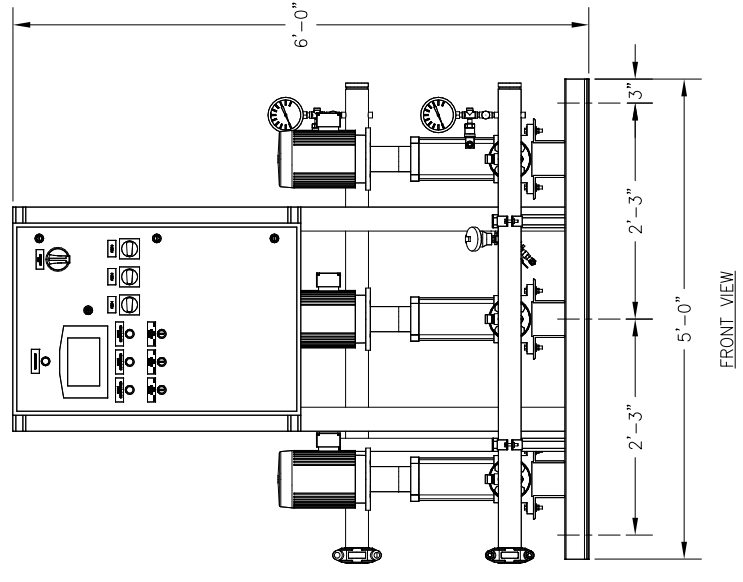
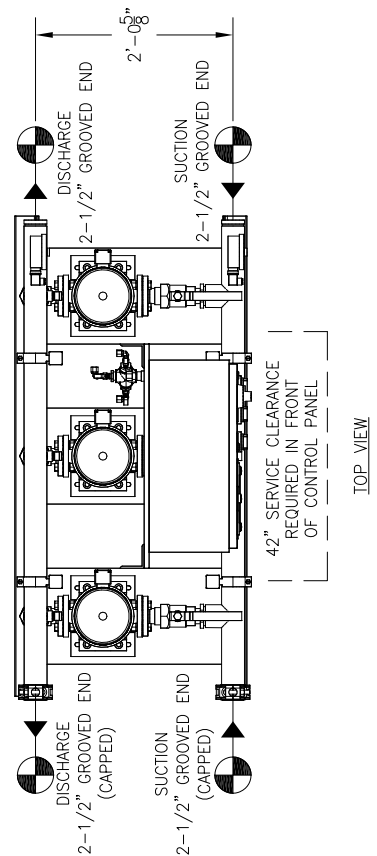
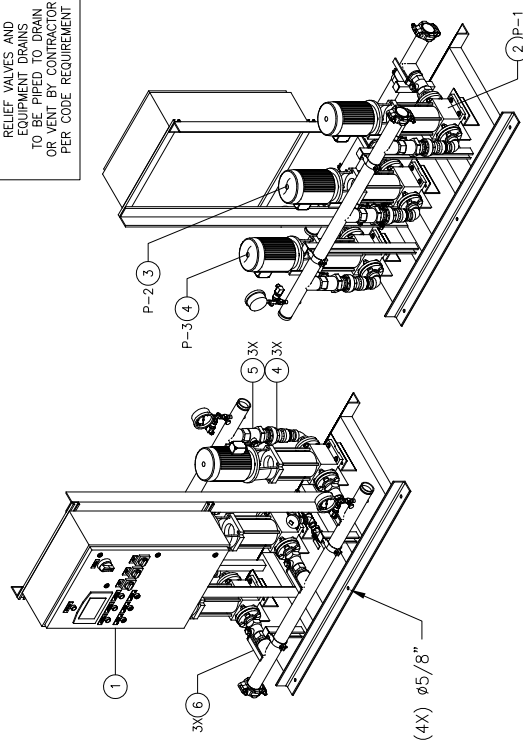


RELIEF VALVES AND ANCHORAGE EQUIPMENT DRAINS TO BE PIPED TO DRAIN LOCAL CODES AND ANY SEISMIC REQUIREMENTS.

RELIEF VALVES AND ANCHORAGE EQUIPMENT DRAINS TO BE PIPED TO DRAIN LOCAL CODES AND ANY SEISMIC REQUIREMENTS.



CONSTRUCTION NOTES:
 1. SUCTION AND DISCHARGE HEADERS ARE GROOVED ON BOTH ENDS.
 2. END CAPS CAN BE PLACED ON EITHER END OF HEADERS.
 3. SYSTEM DESIGNED FOR INDOOR INSTALLATION.

-GPM		-PSI		-PSI		-PSI					
TOTAL FLOW		TOTAL DISCHARGE PRESSURE		TOTAL SYSTEM CAPACITY		AVAILABLE PRESSURE					
4	P-3	GOULDS	ESV	5SVG-10	-	-	3	3500	H60 / 60 / 3	TEFC	P.E.
3	P-2	GOULDS	ESV	5SVG-10	-	-	3	3500	H60 / 60 / 3	TEFC	P.E.
2	P-1	GOULDS	ESV	5SVG-10	-	-	3	3500	H60 / 60 / 3	TEFC	P.E.
ITEM	TAG	MANUFACTURER	SERIES	MODEL	GPM	TDH	HP	RPM	VOLTS/ΔZ/PH	ENCLOSURE	
PUMP SCHEDULE											
10	-	-	-	-	-	-	-	-	-	-	-
9	-	-	-	-	-	-	-	-	-	-	-
8	-	-	-	-	-	-	-	-	-	-	-
7	3	-	-	-	-	-	-	-	-	-	-
6	3	-	-	-	-	-	-	-	-	-	-
5	3	-	-	-	-	-	-	-	-	-	-
4	1	P-3	GOULDS	ESV	5SVG-10	-	-	-	-	-	-
3	1	P-2	GOULDS	ESV	5SVG-10	-	-	-	-	-	-
2	1	P-1	GOULDS	ESV	5SVG-10	-	-	-	-	-	-
1	1	-	-	-	-	-	-	-	-	-	-

GENERAL NOTES:
 (1) SINGLE POINT POWER CONNECTION AT CONTROL PANEL.
 (2) HYDRO PRESSURE CHECK AT 125 PSI.
 (3) ASSEMBLED SYSTEM TO BE PAINTED WITH INDUSTRIAL MACHINE ENAMEL PRIOR TO SHIPMENT.

UL LISTED
 PACKAGED PUMPING SYSTEMS & HEAT TRANSFER SYSTEMS

APPROXIMATE SHIPPING WEIGHT: 1,200 LBS.
 APPROXIMATE OPERATING WEIGHT: 1,240 LBS.

PROJECT NAME: _____
CUSTOMER: _____

DRAWN BY DATE: _____
ACD 09/18/19

CHECKED BY APPROVED BY: _____

TOLERANCES UNLESS OTHERWISE SPECIFIED:
 DEC. .500" FRACTION 1/2" ANGLE 5° SCALE 1" = 1'-0"

DRAWING TITLE: FMV3.1-2-XL - VARIABLE SPEED TRIPLEX PRESSURE BOOSTER

DRAWING NO.: FMV3.1-2-XL

REV.: 1

FLOWTECH systems
 HAYWARD, CALIFORNIA

EQUIPMENT SCHEDULE

ITEM	QTY	TAG	DESCRIPTION
10	-	-	-
9	-	-	-
8	-	-	-
7	3	-	APOLLO SINGLE UNION BALL VALVE MODEL 70LF-307-01 - 1 1/2"
6	3	-	APOLLO SINGLE UNION BALL VALVE MODEL 70LF-308-01 - 2"
5	3	-	BONOMI IN-LINE CHECK VALVE - 2"
4	1	P-3	GOULDS ESV MULTI-STAGE PUMP MODEL 5SVG-10
3	1	P-2	GOULDS ESV MULTI-STAGE PUMP MODEL 5SVG-10
2	1	P-1	GOULDS ESV MULTI-STAGE PUMP MODEL 5SVG-10
1	1	-	AQUALOGIC XL CONTROL PANEL