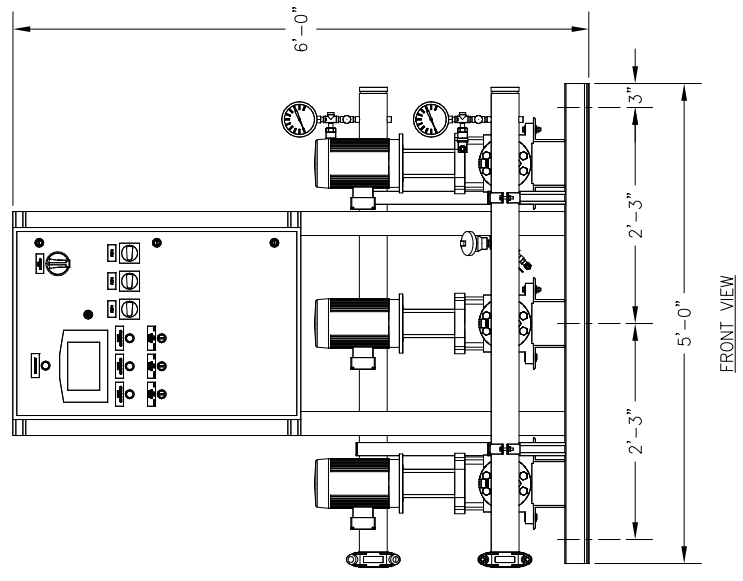
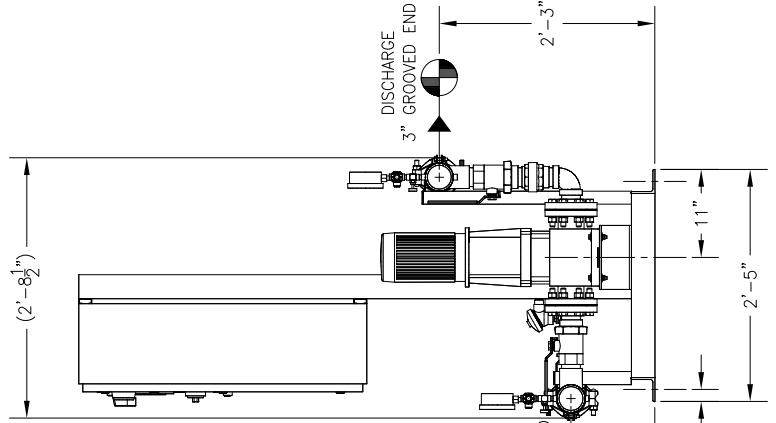
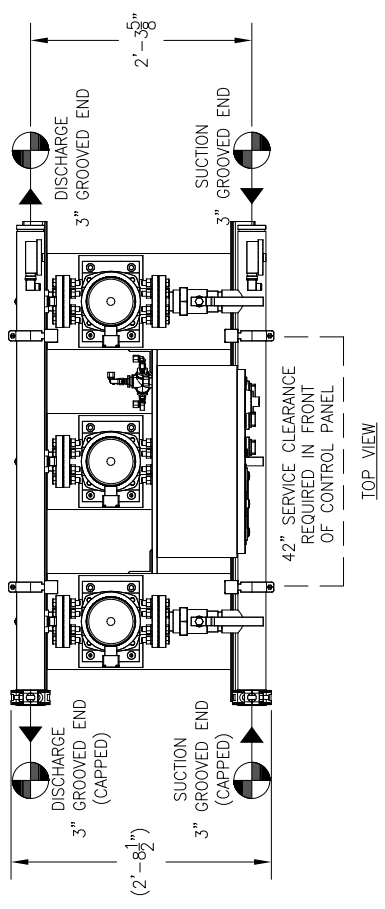
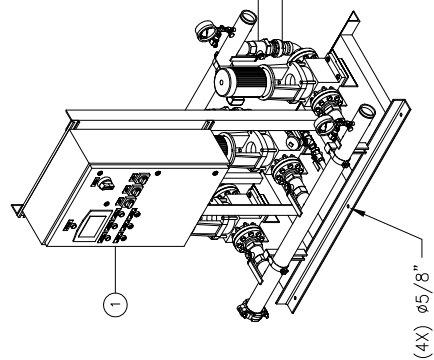
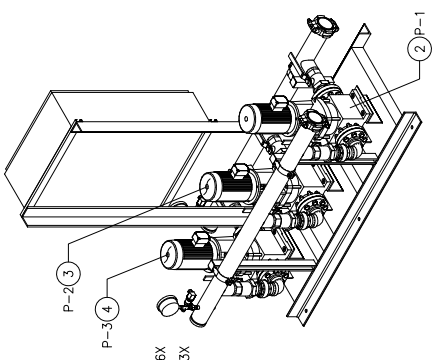


RELIEF VALVES AND ANCHORAGE TO BE IN COMPLIANCE WITH LOCAL CODES AND ANY SEISMIC REQUIREMENTS.

RELIEF VALVES AND EQUIPMENT DRAINS TO BE PIPED TO DRAIN OR VENT BY CONTRACTOR PER CODE REQUIREMENT



CONSTRUCTION NOTES:
 1. SUCTION AND DISCHARGE HEADERS ARE GROOVED ON BOTH ENDS.
 2. END CAPS CAN BE PLACED ON EITHER END OF HEADERS.
 3. SYSTEM DESIGNED FOR INDOOR INSTALLATION.

-GPM	-PSI	-PSI	-PSI
TOTAL FLOW	TOTAL DISCHARGE PRESSURE	AVAILABLE PRESSURE	AVAILABLE PRESSURE
TOTAL SYSTEM CAPACITY			

ITEM	TAG	MANUFACTURER	SERIES	MODEL	GPM	TDH	HP	RPM	VOLTS/AHZ/PH	ENCLOSURE
4	P-3	GOULDS	ESV	10SVG-2	-	-	2	3500	H60 / 60 / 3	TEFC P.E.
3	P-2	GOULDS	ESV	10SVG-2	-	-	2	3500	H60 / 60 / 3	TEFC P.E.
2	P-1	GOULDS	ESV	10SVG-2	-	-	2	3500	H60 / 60 / 3	TEFC P.E.

ITEM	QTY	TAG	DESCRIPTION
10	-	-	-
9	-	-	-
8	-	-	-
7	-	-	-
6	6	-	APOLLO SINGLE UNION BALL VALVE MODEL 70LF-308-01 - 2"
5	3	-	BONOMI IN-LINE CHECK VALVE - 2"
4	1	P-3	GOULDS ESV MULTI-STAGE PUMP MODEL 10SVG-2
3	1	P-2	GOULDS ESV MULTI-STAGE PUMP MODEL 10SVG-2
2	1	P-1	GOULDS ESV MULTI-STAGE PUMP MODEL 10SVG-2
1	1	-	AQUALOGIC XL CONTROL PANEL

PROJECT NAME:	CHECKED BY/DATE	APPROVED BY
-	ACD 09/19/19	-

DEC.	FRAC.	ANGLE	SCALE
.500"	1/2"	5"	1" = 1'-0"

THIS DRAWING AND THE INFORMATION SPECIFIED THEREIN ARE THE PROPERTY OF FLOWTECH SYSTEMS, A DIVISION OF CHC. COPIES ARE ISSUED IN STRICT CONFIDENCE AND SHALL NOT BE LOANED, REPRODUCED, COPIED, OR USED FOR ANY OTHER PURPOSE WITHOUT THE WRITTEN PERMISSION OF CHC.

LISTED
 PACKAGED PUMPING SYSTEMS & HEAT TRANSFER SYSTEMS

APPROXIMATE SHIPPING WEIGHT: 1,050 LBS.
 APPROXIMATE OPERATING WEIGHT: 1,100 LBS.

GENERAL NOTES:
 (1) SINGLE POINT POWER CONNECTION AT CONTROL PANEL.
 (2) HYDRO PRESSURE CHECK AT 125 PSI.
 (3) ASSEMBLED SYSTEM TO BE PAINTED WITH INDUSTRIAL MACHINE ENAMEL PRIOR TO SHIPMENT.

= DENOTES CONTRACTOR POINT OF CONNECTION

FlowTech systems
 HAYWARD, CALIFORNIA

DRAWING TITLE: FMV3.1-3LH-XL - VARIABLE SPEED TRIPLEX PRESSURE BOOSTER
 DRAWING NO. FMV3.1-3LH-XL
 REV. 1