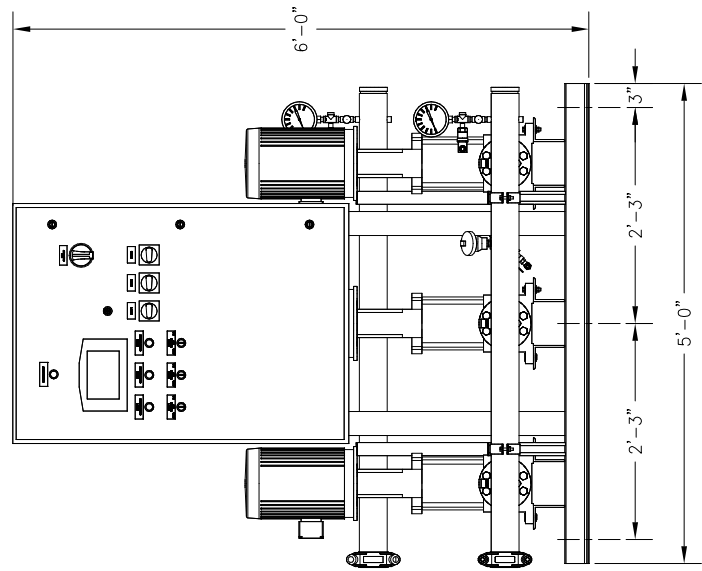
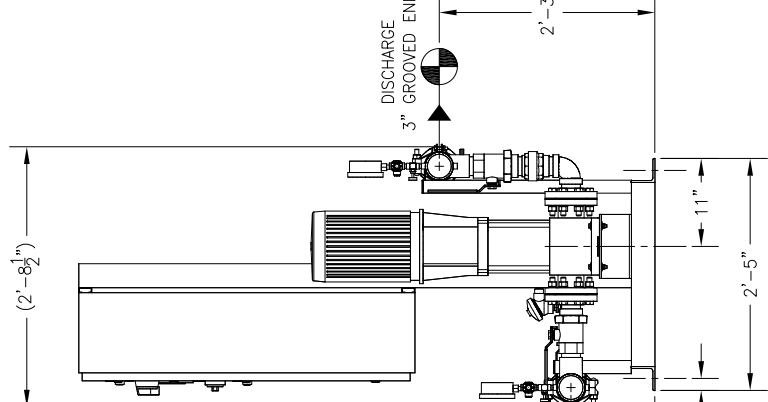
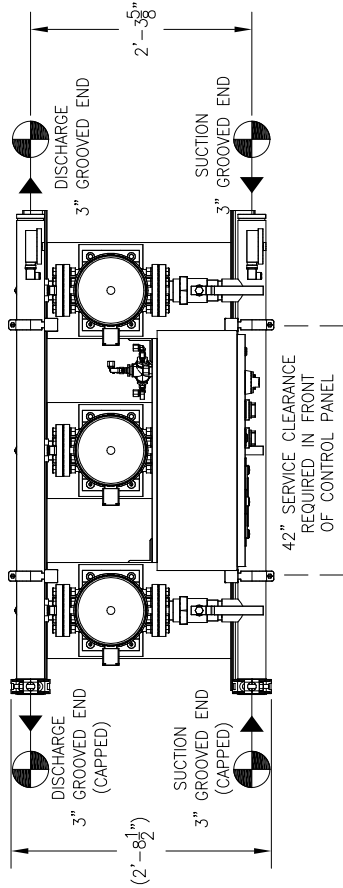
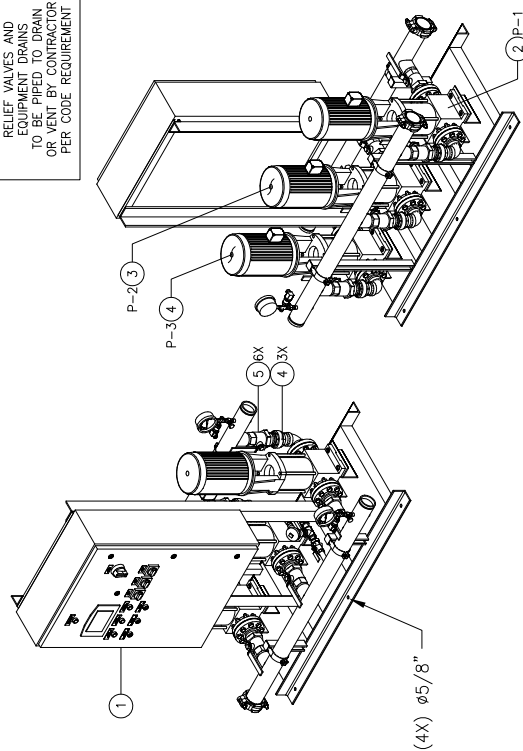


ALL BOLTING AND ANCHORAGE TO BE IN COMPLIANCE WITH LOCAL CODES AND ANY SEISMIC REQUIREMENTS.

RELIEF VALVES AND EQUIPMENT DRAINS TO BE PIPED TO DRAIN OR VENT BY CONTRACTOR PER CODE REQUIREMENT



CONSTRUCTION NOTES:  
 1. SUCTION AND DISCHARGE HEADERS ARE GROOVED ON BOTH ENDS.  
 2. END CAPS CAN BE PLACED ON EITHER END OF HEADERS.  
 3. SYSTEM DESIGNED FOR INDOOR INSTALLATION.

-GPM		-PSI		-PSI							
TOTAL FLOW		TOTAL DISCHARGE PRESSURE		AVAILABLE PRESSURE							
TOTAL SYSTEM CAPACITY											
4	P-3	GOULDS	ESV	10SVG-6	-	-	5	3500	H60 / 60 / 3	TEFC	P.E.
3	P-2	GOULDS	ESV	10SVG-6	-	-	5	3500	H60 / 60 / 3	TEFC	P.E.
2	P-1	GOULDS	ESV	10SVG-6	-	-	5	3500	H60 / 60 / 3	TEFC	P.E.
ITEM	TAG	MANUFACTURER	SERIES	MODEL	GPM	TDH	HP	RPM	VOLTS/AZ/PH	ENCLOSURE	
PUMP SCHEDULE											
10	-	-	-	-	-	-	-	-	-	-	-
9	-	-	-	-	-	-	-	-	-	-	-
8	-	-	-	-	-	-	-	-	-	-	-
7	-	-	-	-	-	-	-	-	-	-	-
6	6	-	-	APOLLO SINGLE UNION BALL VALVE	MODEL 70LF-308-01	-	2"	-	-	-	-
5	3	-	-	BONOMI IN-LINE CHECK VALVE	-	2"	-	-	-	-	-
4	1	P-3	GOULDS	ESV MULTI-STAGE PUMP	MODEL 10SVG-6	-	-	-	-	-	-
3	1	P-2	GOULDS	ESV MULTI-STAGE PUMP	MODEL 10SVG-6	-	-	-	-	-	-
2	1	P-1	GOULDS	ESV MULTI-STAGE PUMP	MODEL 10SVG-6	-	-	-	-	-	-
1	1	-	-	AQUALOGIC XL CONTROL PANEL	-	-	-	-	-	-	-

ITEM	QTY	TAG	DESCRIPTION
EQUIPMENT SCHEDULE			
PROJECT NAME: _____			
CUSTOMER: _____			
DRAWN BY DATE: _____			
CHECKED BY APPROVED BY: _____			
TOLERANCES UNLESS OTHERWISE SPECIFIED			
DEC. .500"	FRAC. 1/2"	ANGLE 5"	SCALE 1" = 1'-0"
DRAWING TITLE: FM3.1-3-XL - VARIABLE SPEED TRIPLEX PRESSURE BOOSTER			
DRAWING NO. FM3.1-3-XL			
REV. 1			

THIS DRAWING AND THE INFORMATION SPECIFIED THEREIN ARE THE PROPERTY OF FLOWTECH SYSTEMS, A DIVISION OF CHC. COPIES ARE ISSUED IN STRICT CONFIDENCE AND SHALL NOT BE REPRODUCED OR TRANSMITTED IN ANY FORM OR BY ANY MEANS, ELECTRONIC OR MECHANICAL, INCLUDING PHOTOCOPYING, RECORDING, OR BY ANY INFORMATION STORAGE AND RETRIEVAL SYSTEM, WITHOUT THE WRITTEN PERMISSION OF CHC.

**LISTED**  
 PACKAGED PUMPING SYSTEMS & HEAT TRANSFER SYSTEMS

APPROXIMATE SHIPPING WEIGHT: 1,340 LBS.  
 APPROXIMATE OPERATING WEIGHT: 1,360 LBS.

GENERAL NOTES:  
 (1) SINGLE POINT POWER CONNECTION AT CONTROL PANEL.  
 (2) HYDRO PRESSURE CHECK AT 125 PSI.  
 (3) ASSEMBLED SYSTEM TO BE PAINTED WITH INDUSTRIAL MACHINE ENAMEL PRIOR TO SHIPMENT.

= DENOTES CONTRACTOR POINT OF CONNECTION