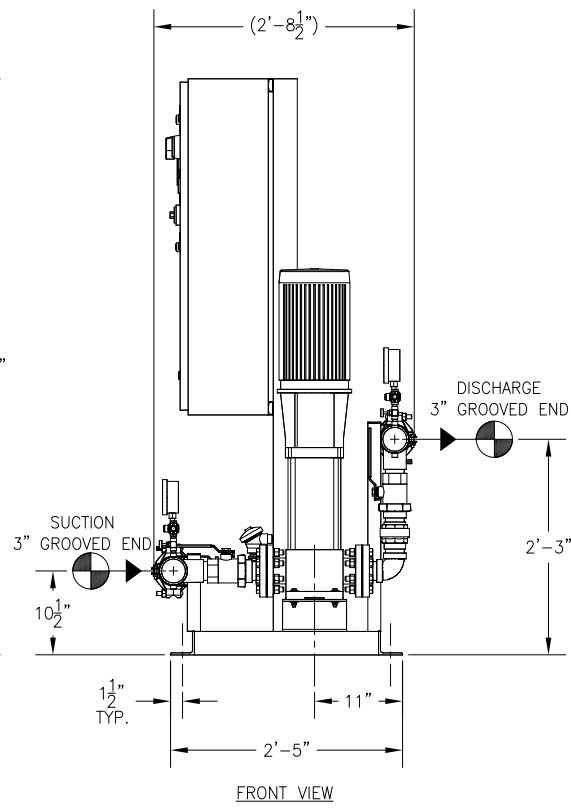
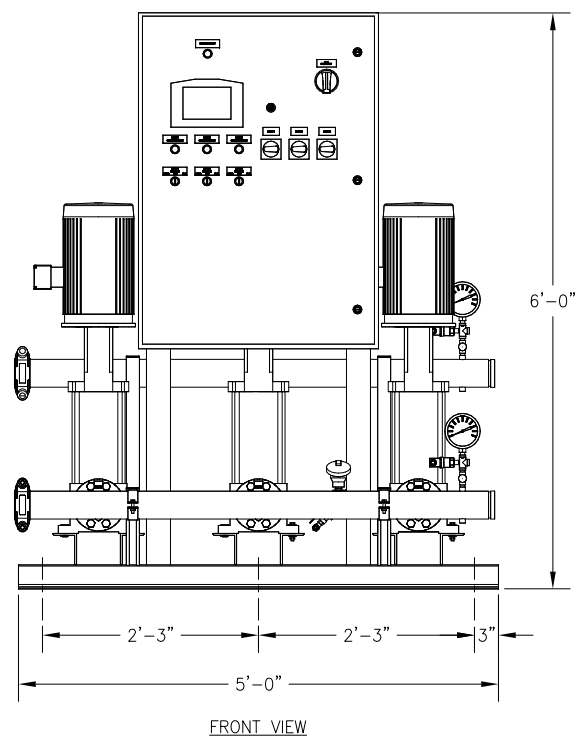
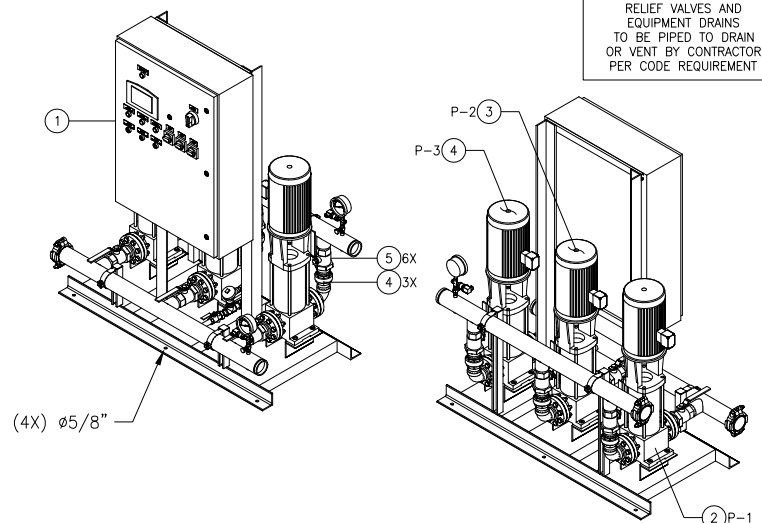
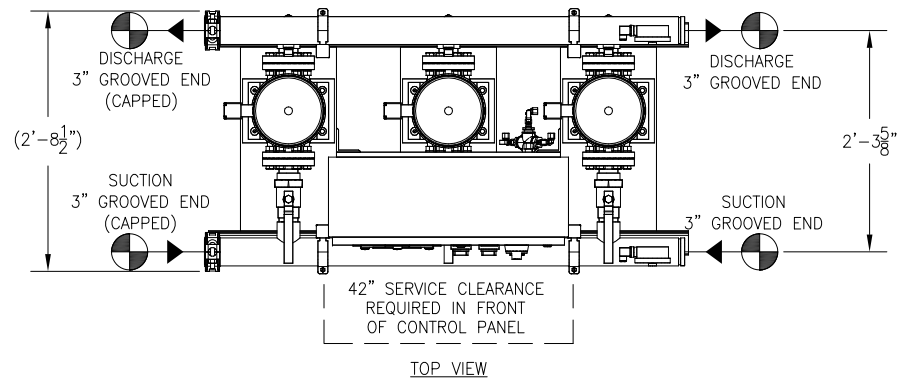


RELIEF VALVES AND EQUIPMENT DRAINS TO BE PIPED TO DRAIN OR VENT BY CONTRACTOR PER CODE REQUIREMENT

ALL BOLTING AND ANCHORAGE TO BE IN COMPLIANCE WITH LOCAL CODES AND ANY SEISMIC REQUIREMENTS.



- CONSTRUCTION NOTES:**
- SUCTION AND DISCHARGE HEADERS ARE GROOVED ON BOTH ENDS.
 - END CAPS CAN BE PLACED ON EITHER END OF HEADERS.
 - SYSTEM DESIGNED FOR INDOOR INSTALLATION.

		- GPM		- PSI		- PSI				
		TOTAL FLOW		TOTAL DISCHARGE PRESSURE		AVAILABLE PRESSURE				
TOTAL SYSTEM CAPACITY										
4	P-3	GOULDS	ESV	10SVG-9	-	-	7 1/2	3500	460 / 60 / 3	TEFC P.E.
3	P-2	GOULDS	ESV	10SVG-9	-	-	7 1/2	3500	460 / 60 / 3	TEFC P.E.
2	P-1	GOULDS	ESV	10SVG-9	-	-	7 1/2	3500	460 / 60 / 3	TEFC P.E.
ITEM	TAG	MANUFACTURER	SERIES	MODEL	GPM	TDH	HP	RPM	VOLTS/HZ/PH	ENCLOSURE
PUMP SCHEDULE										

10	-	-	-	-	-	-	-	-	-	-
9	-	-	-	-	-	-	-	-	-	-
8	-	-	-	-	-	-	-	-	-	-
7	-	-	-	-	-	-	-	-	-	-
6	6	-	-	APOLLO SINGLE UNION BALL VALVE MODEL 70LF-308-01	-	2"	-	-	-	-
5	3	-	-	BONOMI IN-LINE CHECK VALVE - 2"	-	-	-	-	-	-
4	1	P-3	-	GOULDS ESV MULTI-STAGE PUMP MODEL 10SVG-9	-	-	-	-	-	-
3	1	P-2	-	GOULDS ESV MULTI-STAGE PUMP MODEL 10SVG-9	-	-	-	-	-	-
2	1	P-1	-	GOULDS ESV MULTI-STAGE PUMP MODEL 10SVG-9	-	-	-	-	-	-
1	1	-	-	AQUALOGIC XL CONTROL PANEL	-	-	-	-	-	-
ITEM	QTY	TAG	DESCRIPTION							
EQUIPMENT SCHEDULE										

GENERAL NOTES:

- SINGLE POINT POWER CONNECTION AT CONTROL PANEL.
- HYDRO PRESSURE CHECK AT 125 PSI.
- ASSEMBLED SYSTEM TO BE PAINTED WITH INDUSTRIAL MACHINE ENAMEL PRIOR TO SHIPMENT.

☉ = DENOTES CONTRACTOR POINT OF CONNECTION

UL LISTED
 PACKAGED PUMPING SYSTEMS & HEAT TRANSFER SYSTEMS

APPROXIMATE SHIPPING WEIGHT: 1,350 LBS.
 APPROXIMATE OPERATING WEIGHT: 1,400 LBS.

THIS DRAWING AND THE INFORMATION DEPICTED THEREIN IS THE PROPERTY OF FLOWTHERM SYSTEMS, A DIVISION OF CHC. COPIES ARE ISSUED IN STRICT CONFIDENCE AND SHALL NOT BE REPRODUCED, COPIED, OR USED AS THE BASIS FOR MANUFACTURING OR SALE OF PRODUCT WITHOUT PRIOR WRITTEN PERMISSION OF CHC.

PROJECT NAME: -
 CUSTOMER: -
 DRAWN BY: ACD DATE: 09/19/19
 CHECKED BY: - APPROVED BY: -
 TOLERANCES UNLESS OTHERWISE SPECIFIED
 DEC. .500" FRAC. 1/2" ANGLE 5" SIZE C SCALE 1" = 1'-0"

FLOWTHERM systems
 HAYWARD, CALIFORNIA

DRAWING TITLE: FMV3.1-4-XL - VARIABLE SPEED TRIPLEX PRESSURE BOOSTER
 FAB No. - DRAWING No. FMV3.1-4-XL
 REV 1

F:\PACKAGED SYSTEM DRAWINGS\FPB\FM\FM3\FM3.1-X-XL\FM3.1-4-XL.DWG