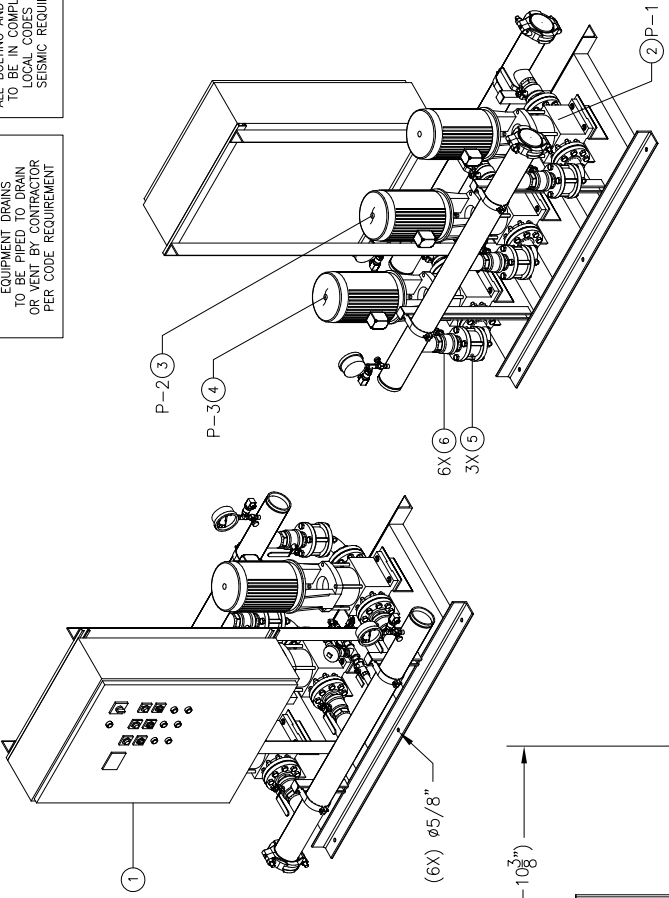


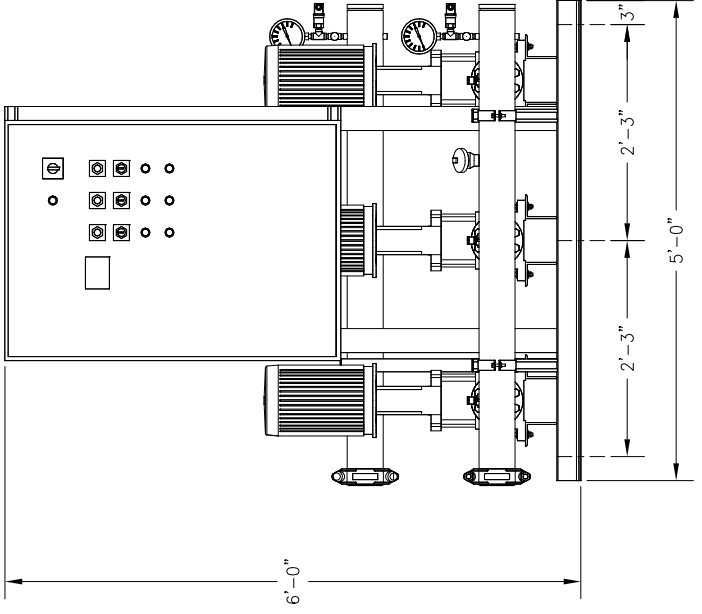
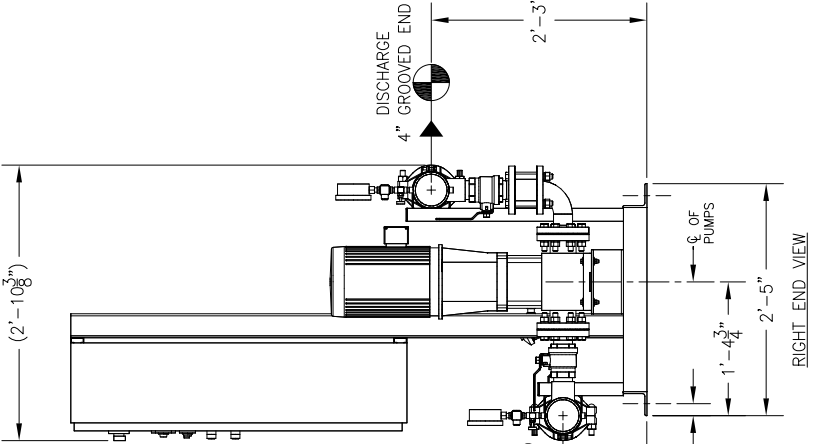
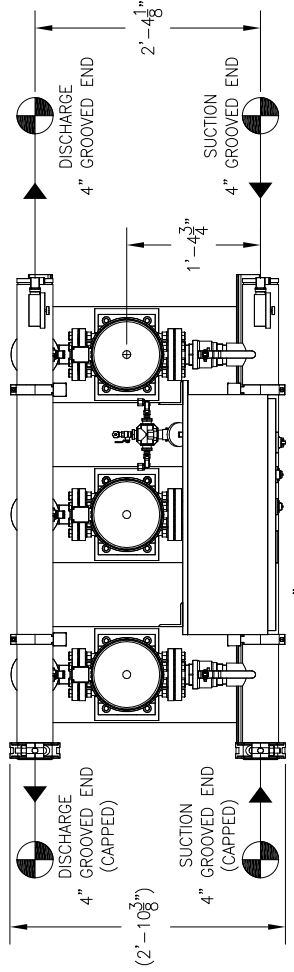
RELIEF VALVES AND ANCHORAGE EQUIPMENT DRAINS TO BE IN COMPLIANCE WITH LOCAL CODES AND ANY SEISMIC REQUIREMENTS.

ALL BOLTING AND ANCHORAGE TO BE IN COMPLIANCE WITH LOCAL CODES AND ANY SEISMIC REQUIREMENTS.



CONSTRUCTION NOTES:
 1. SUCTION AND DISCHARGE HEADERS ARE GROOVED ON BOTH ENDS.
 2. END CAPS CAN BE PLACED ON EITHER END OF HEADERS.
 3. SYSTEM DESIGNED FOR INDOOR INSTALLATION.

-GPM		-PSI		-PSI										
TOTAL FLOW		TOTAL DISCHARGE PRESSURE		AVAILABLE PRESSURE										
TOTAL SYSTEM CAPACITY														
4	P-3	60ULDS	ESV	155VG-2	-	5	3500	H60	/	60	/	3	TEFC	P.E.
3	P-2	60ULDS	ESV	155VG-2	-	5	3500	H60	/	60	/	3	TEFC	P.E.
2	P-1	60ULDS	ESV	155VG-2	-	5	3500	H60	/	60	/	3	TEFC	P.E.
ITEM	TAG	MANUFACTURER	SERIES	MODEL	TDH	HP	RPM	PH	PH	PH	PH	PH	PH	ENCLOSURE
PUMP SCHEDULE														
10	-	-	-	-	-	-	-	-	-	-	-	-	-	-
9	-	-	-	-	-	-	-	-	-	-	-	-	-	-
8	-	-	-	-	-	-	-	-	-	-	-	-	-	-
7	-	-	-	-	-	-	-	-	-	-	-	-	-	-
6	6	-	-	-	-	-	-	-	-	-	-	-	-	-
5	3	-	-	-	-	-	-	-	-	-	-	-	-	-
4	1	P-3	GOULDS	ESV	MULTI-STAGE PUMP	MODEL 155VG-2	-	-	-	-	-	-	-	-
3	1	P-2	GOULDS	ESV	MULTI-STAGE PUMP	MODEL 155VG-2	-	-	-	-	-	-	-	-
2	1	P-1	GOULDS	ESV	MULTI-STAGE PUMP	MODEL 155VG-2	-	-	-	-	-	-	-	-
1	1	-	-	-	-	-	-	-	-	-	-	-	-	-
ITEM	QTY	TAG	DESCRIPTION											



GENERAL NOTES:
 (1) SINGLE POINT POWER CONNECTION AT CONTROL PANEL.
 (2) HYDRO PRESSURE CHECK AT 125 PSI.
 (3) ASSEMBLED SYSTEM TO BE PAINTED WITH INDUSTRIAL MACHINE ENAMEL PRIOR TO SHIPMENT.

UL LISTED
 PACKAGED PUMPING SYSTEMS & HEAT TRANSFER SYSTEMS

APPROXIMATE SHIPPING WEIGHT: 1,079 LBS.
 APPROXIMATE OPERATING WEIGHT: 1,161 LBS.

APPROXIMATE CONTRACTOR POINT OF CONNECTION

PROJECT NAME: _____
CUSTOMER: _____
DRAWN BY DATE: 04/04/18
CHECKED BY APPROVED BY: _____
TOLERANCES UNLESS OTHERWISE SPECIFIED:
 DEC. .500" FRACTION 1/2" ANGLE 5" SCALE 1" = 1'-0"

EQUIPMENT SCHEDULE

FLOWTECH systems
 HAYWARD, CALIFORNIA

DRAWING TITLE: FMW3.1-5-XL - VARIABLE SPEED TRIPLEX PRESSURE BOOSTER
DRAWING NO.: FMW3.1-5-XL
REV.: 1