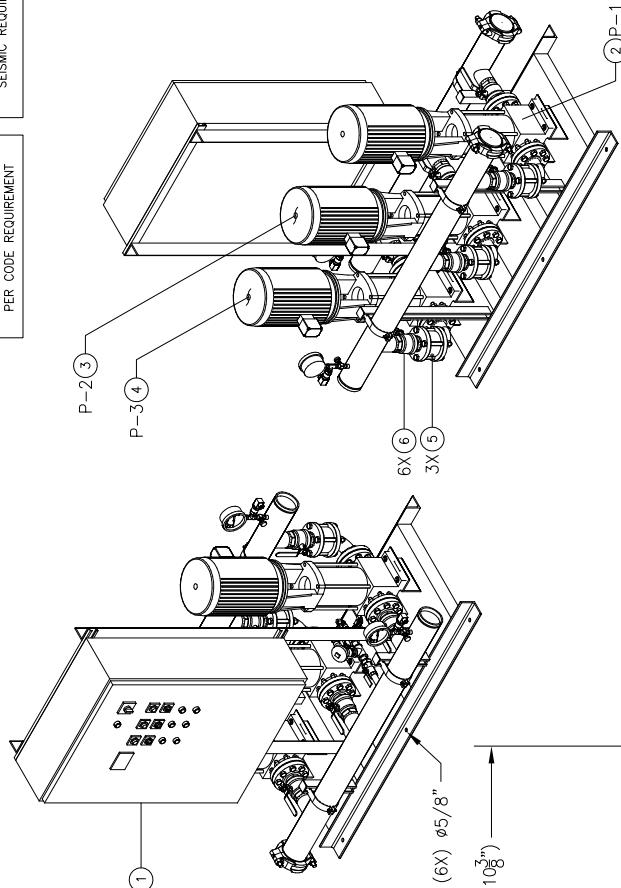


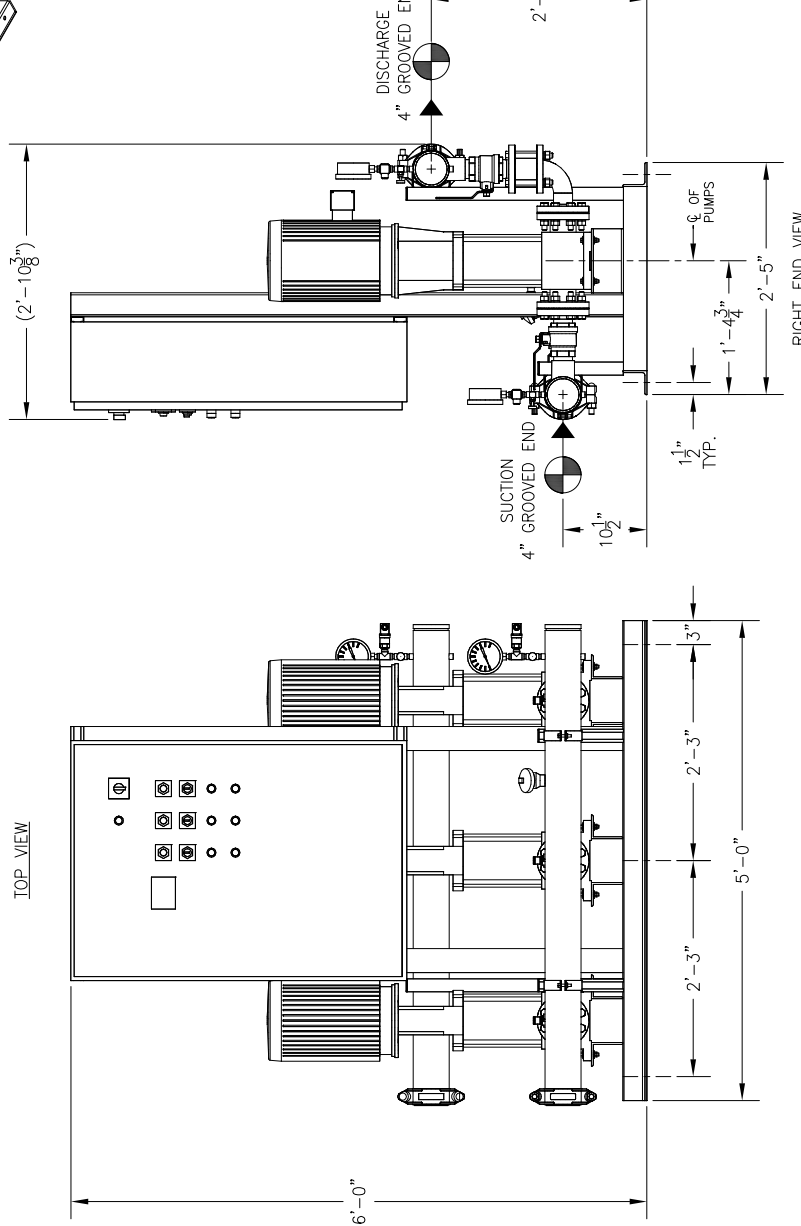
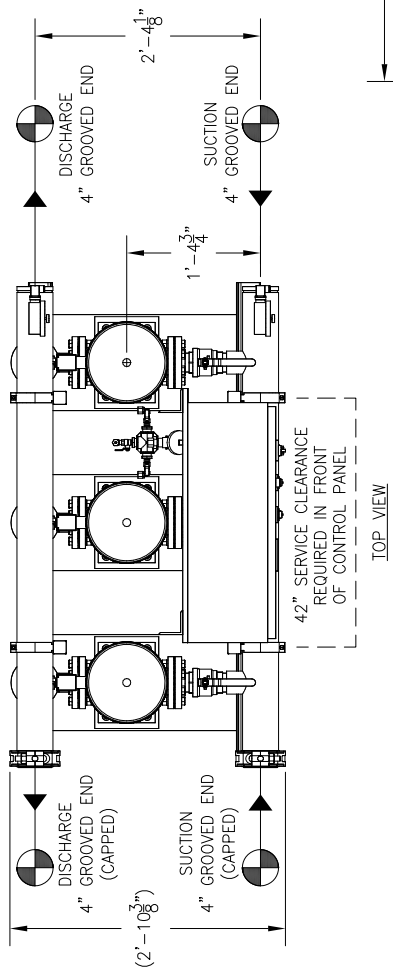
RELIEF VALVES AND ANCHORAGE EQUIPMENT DRAINS TO BE IN COMPLIANCE WITH LOCAL CODES AND ANY SEISMIC REQUIREMENTS.

RELIEF VALVES AND EQUIPMENT DRAINS TO BE PIPED TO DRAIN OR VENT BY CONTRACTOR PER CODE REQUIREMENT.



CONSTRUCTION NOTES:
 1. SUCTION AND DISCHARGE HEADERS ARE GROOVED ON BOTH ENDS.
 2. END CAPS CAN BE PLACED ON EITHER END OF HEADERS.
 3. SYSTEM DESIGNED FOR INDOOR INSTALLATION.

-GPM		-PSI		-PSI	
TOTAL FLOW		TOTAL DISCHARGE PRESSURE		AVAILABLE PRESSURE	
TOTAL SYSTEM CAPACITY					
4	P-3	60ULDS	ESV	155VG-5	-
3	P-2	60ULDS	ESV	155VG-5	-
2	P-1	60ULDS	ESV	155VG-5	-
ITEM	TAG	MANUFACTURER	SERIES	MODEL	TDH
PUMP SCHEDULE					
10	-	-	-	-	-
9	-	-	-	-	-
8	-	-	-	-	-
7	-	-	-	-	-
6	6	-	-	BALL VALVE	- 2"
5	3	-	-	VAL-MATIC WAFER CHECK VALVE	- 2"
4	1	P-3	GOULDS	ESV MULTI-STAGE PUMP	MODEL 155VG-5
3	1	P-2	GOULDS	ESV MULTI-STAGE PUMP	MODEL 155VG-5
2	1	P-1	GOULDS	ESV MULTI-STAGE PUMP	MODEL 155VG-5
1	1	-	-	AQUALOGIC XL CONTROL PANEL	-
ITEM	QTY	TAG	DESCRIPTION		



LISTED
 PACKAGED PUMPING SYSTEMS
 & HEAT TRANSFER SYSTEMS

UL

APPROXIMATE SHIPPING WEIGHT: 1,303 LBS.
 APPROXIMATE OPERATING WEIGHT: 1,385 LBS.

GENERAL NOTES:
 (1) SINGLE POINT POWER CONNECTION AT CONTROL PANEL.
 (2) HYDRO PRESSURE CHECK AT 125 PSI.
 (3) ASSEMBLED SYSTEM TO BE PAINTED WITH INDUSTRIAL MACHINE ENAMEL PRIOR TO SHIPMENT.

= DENOTES CONTRACTOR POINT OF CONNECTION

PROJECT NAME:
 CUSTOMER:
 DRAWN BY DATE: 04/04/18
 CHECKED BY APPROVED BY:
 TOLERANCES UNLESS OTHERWISE SPECIFIED
 DEC. .500" FRACTION 1/2" ANGLE 5" SCALE 1" = 1'-0"

EQUIPMENT SCHEDULE

FlowTherm systems
 HAYWARD, CALIFORNIA

DRAWING TITLE:
 FMW3.1-7-XL - VARIABLE SPEED TRIPLEX PRESSURE BOOSTER

DRAWING NO. FMW3.1-7-XL
 REV 1