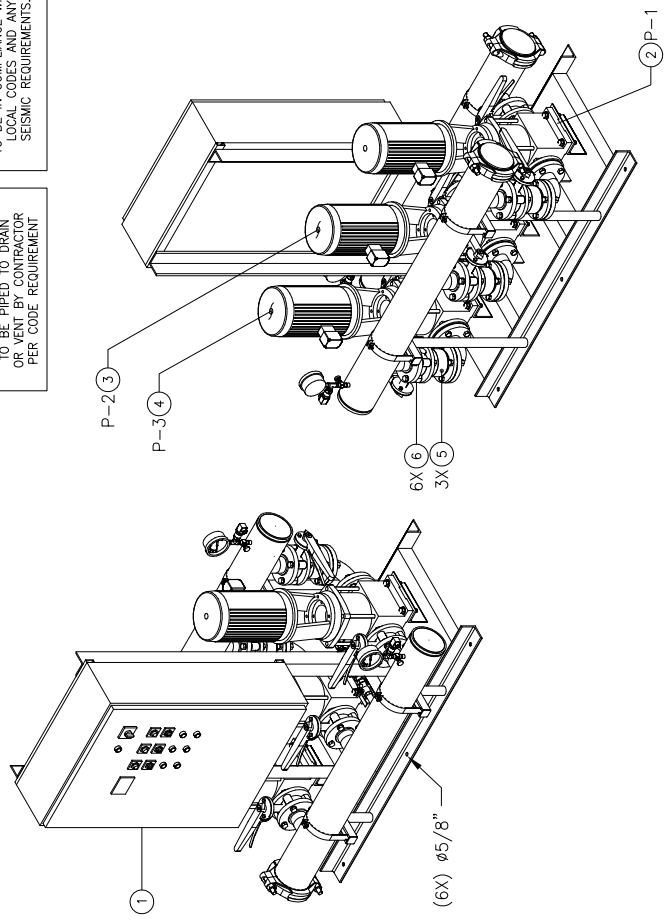


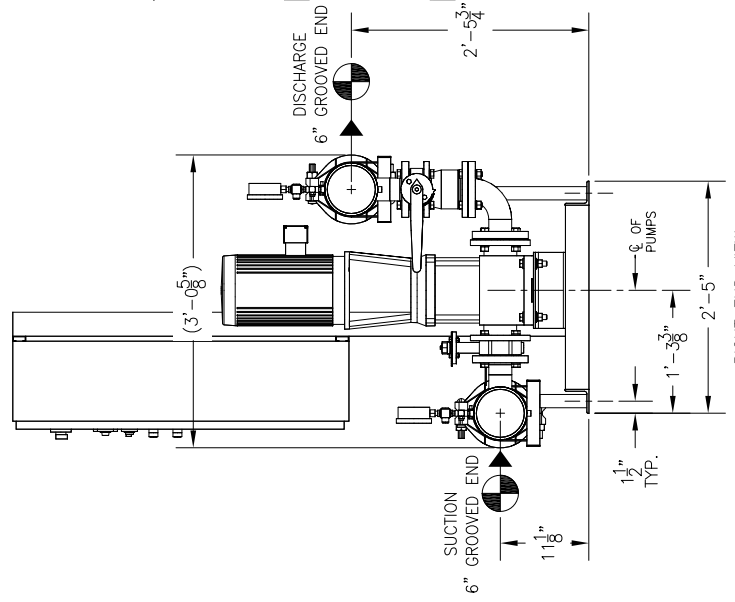
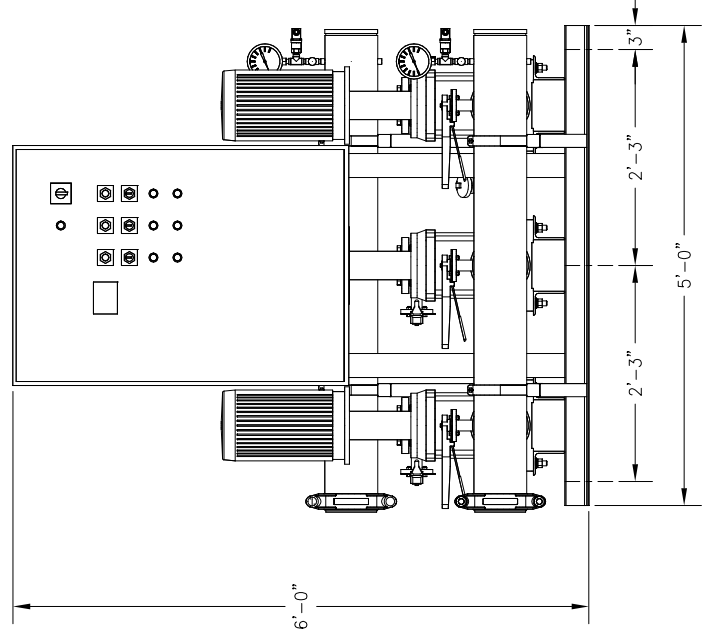
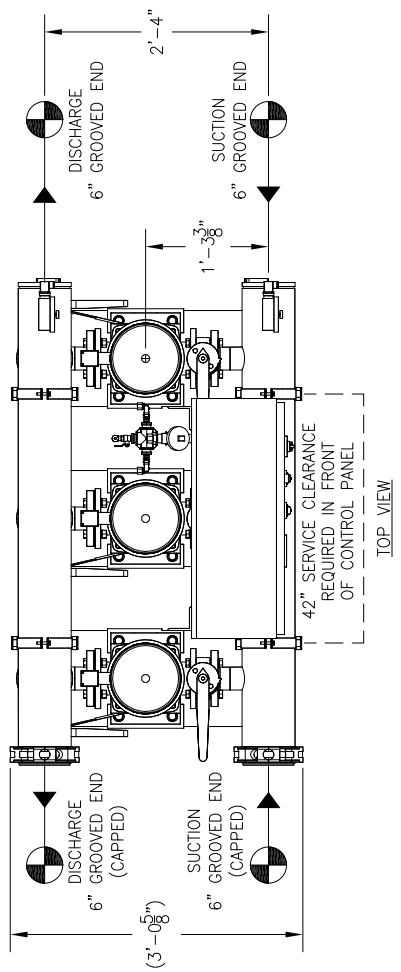
RELIEF VALVES AND ANCHORAGE TO BE IN COMPLIANCE WITH LOCAL CODES AND ANY SEISMIC REQUIREMENTS.

RELIEF VALVES AND EQUIPMENT DRAINS TO BE PIPED TO DRAIN OR VENT BY CONTRACTOR PER CODE REQUIREMENT.



CONSTRUCTION NOTES:
 1. SUCTION AND DISCHARGE HEADERS ARE GROOVED ON BOTH ENDS.
 2. END CAPS CAN BE PLACED ON EITHER END OF HEADERS.
 3. SYSTEM DESIGNED FOR INDOOR INSTALLATION.

-GPM		-PSI		-PSI						
TOTAL FLOW		TOTAL DISCHARGE PRESSURE		AVAILABLE PRESSURE						
TOTAL SYSTEM CAPACITY										
4	P-3	GOULDS	ESV	335VG-2/2	-					
3	P-2	GOULDS	ESV	335VG-2/2	-					
2	P-1	GOULDS	ESV	335VG-2/2	-					
ITEM	TAG	MANUFACTURER	SERIES	MODEL	GPM	TDH	HP	RPM	VOLTS/AHZ/PH	ENCLOSURE
PUMP SCHEDULE										
10	-	-	-	-	-	-	-	-	-	-
9	-	-	-	-	-	-	-	-	-	-
8	-	-	-	-	-	-	-	-	-	-
7	-	-	-	-	-	-	-	-	-	-
6	6	-	-	LUG TYPE BUTTERFLY VALVE	-	2	1/2"	-	-	-
5	3	-	-	VAL-MATIC GLOBE CHECK VALVE	-	2	1/2"	-	-	-
4	1	P-3	GOULDS	ESV MULTI-STAGE PUMP	MODEL	335VG-2/2	-	-	-	-
3	1	P-2	GOULDS	ESV MULTI-STAGE PUMP	MODEL	335VG-2/2	-	-	-	-
2	1	P-1	GOULDS	ESV MULTI-STAGE PUMP	MODEL	335VG-2/2	-	-	-	-
1	1	-	-	AQUALOGIC XL CONTROL PANEL	-	-	-	-	-	-
ITEM	QTY	TAG	DESCRIPTION							



GENERAL NOTES:
 (1) SINGLE POINT POWER CONNECTION AT CONTROL PANEL.
 (2) HYDRO PRESSURE CHECK AT 125 PSI.
 (3) ASSEMBLED SYSTEM TO BE PAINTED WITH INDUSTRIAL MACHINE ENAMEL PRIOR TO SHIPMENT.

UL LISTED
 PACKAGED PUMPING SYSTEMS & HEAT TRANSFER SYSTEMS

APPROXIMATE SHIPPING WEIGHT: 1,657 LBS.
 APPROXIMATE OPERATING WEIGHT: 1,847 LBS.

PROJECT NAME: _____
CUSTOMER: _____
DRAWN BY DATE: ACD 04/04/18
CHECKED BY APPROVED BY: _____
TOLERANCES UNLESS OTHERWISE SPECIFIED:
 DEC. .500" FRACTION 1/2" ANGLE 5" SCALE 1" = 1'-0"

EQUIPMENT SCHEDULE

ITEM	QTY	TAG	DESCRIPTION
10	-	-	-
9	-	-	-
8	-	-	-
7	-	-	-
6	6	-	LUG TYPE BUTTERFLY VALVE - 2 1/2"
5	3	-	VAL-MATIC GLOBE CHECK VALVE - 2 1/2"
4	1	P-3	GOULDS ESV MULTI-STAGE PUMP MODEL 335VG-2/2
3	1	P-2	GOULDS ESV MULTI-STAGE PUMP MODEL 335VG-2/2
2	1	P-1	GOULDS ESV MULTI-STAGE PUMP MODEL 335VG-2/2
1	1	-	AQUALOGIC XL CONTROL PANEL

FLOWTECH systems
 HAYWARD, CALIFORNIA

DRAWING TITLE: FM3.1-9-XL - VARIABLE SPEED TRIPLEX PRESSURE BOOSTER
DRAWING NO.: FM3.1-9-XL
REV: 1