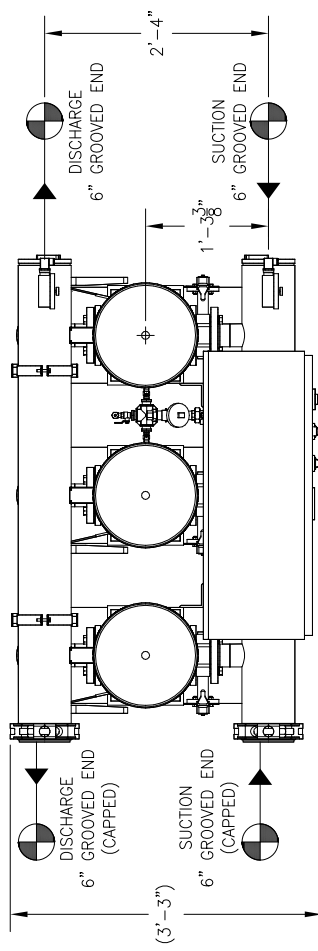
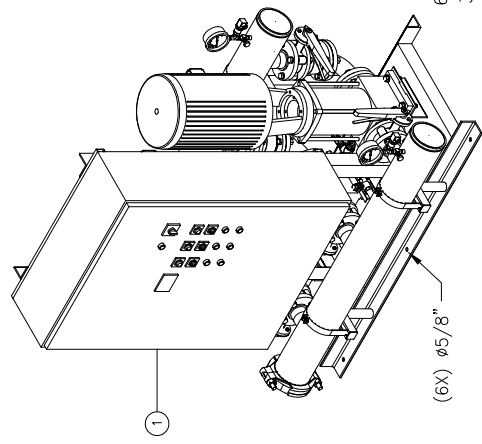
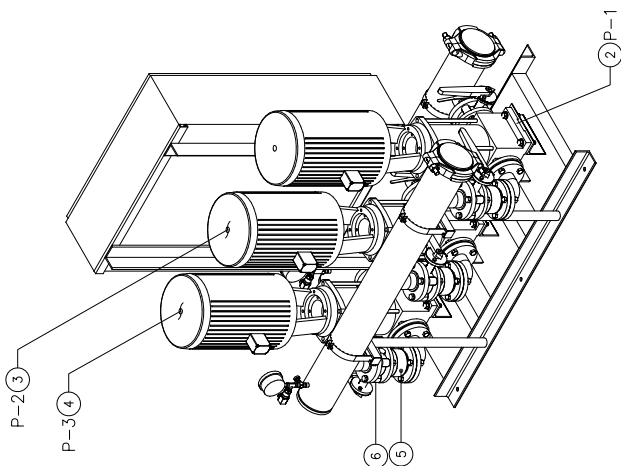
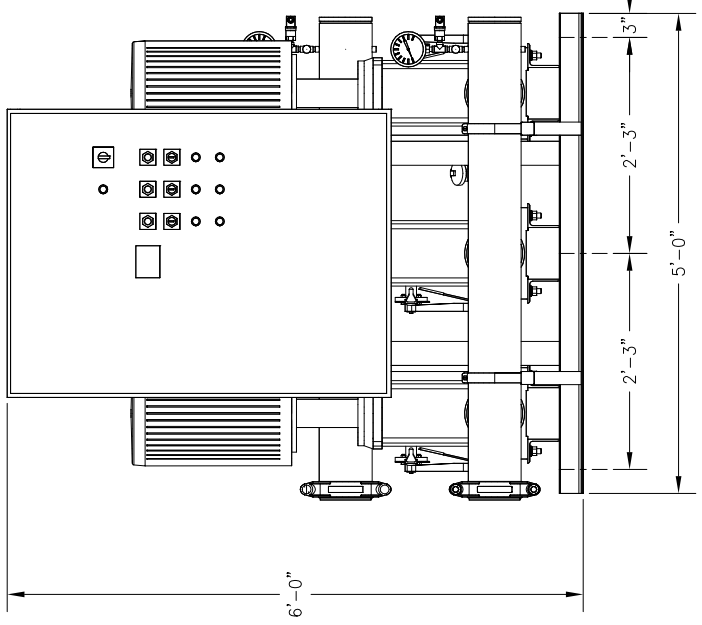


RELIEF VALVES AND ANCHORAGE ALL BOLTING AND ANCHORAGE TO BE IN COMPLIANCE WITH LOCAL CODES AND ANY SEISMIC REQUIREMENTS.

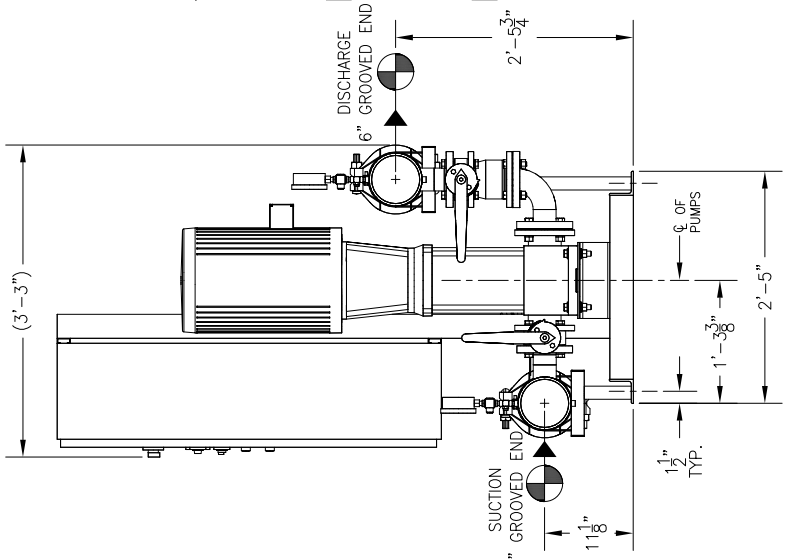
RELIEF VALVES AND EQUIPMENT DRAINS TO BE PIPED TO DRAIN OR VENT BY CONTRACTOR PER CODE REQUIREMENT.



42" SERVICE CLEARANCE REQUIRED IN FRONT OF CONTROL PANEL



FRONT VIEW



RIGHT END VIEW

CONSTRUCTION NOTES:

1. SUCTION AND DISCHARGE HEADERS ARE GROOVED ON BOTH ENDS.
2. END CAPS CAN BE PLACED ON EITHER END OF HEADERS.
3. SYSTEM DESIGNED FOR INDOOR INSTALLATION.

-GPM		-PSI		-PSI										
TOTAL FLOW		TOTAL DISCHARGE PRESSURE		AVAILABLE PRESSURE										
TOTAL SYSTEM CAPACITY														
4	P-3	GOULDS	ESV	335VG-4	-	20	3500	H60	/	60	/	3	TEFC	P.E.
3	P-2	GOULDS	ESV	335VG-4	-	20	3500	H60	/	60	/	3	TEFC	P.E.
2	P-1	GOULDS	ESV	335VG-4	-	20	3500	H60	/	60	/	3	TEFC	P.E.
ITEM	TAG	MANUFACTURER	SERIES	MODEL	GPM	TDH	HP	RPM	VOLTS/PH	ENCLOSURE	PUMP SCHEDULE			
10	-	-	-	-	-	-	-	-	-	-	LUG TYPE BUTTERFLY VALVE - 2 1/2"			
9	-	-	-	-	-	-	-	-	-	-	VAL-MATIC GLOBE CHECK VALVE - 2 1/2"			
8	-	-	-	-	-	-	-	-	-	-	GOULDS ESV MULTI-STAGE PUMP MODEL 335VG-4			
7	-	-	-	-	-	-	-	-	-	-	GOULDS ESV MULTI-STAGE PUMP MODEL 335VG-4			
6	6	-	-	-	-	-	-	-	-	-	GOULDS ESV MULTI-STAGE PUMP MODEL 335VG-4			
5	3	-	-	-	-	-	-	-	-	-	AQUALOGIC XL CONTROL PANEL			
ITEM	QTY	TAG	DESCRIPTION											

GENERAL NOTES:

- (1) SINGLE POINT POWER CONNECTION AT CONTROL PANEL.
- (2) HYDRO PRESSURE CHECK AT 125 PSI.
- (3) ASSEMBLED SYSTEM TO BE PAINTED WITH INDUSTRIAL MACHINE ENAMEL PRIOR TO SHIPMENT.

= DENOTES CONTRACTOR POINT OF CONNECTION

PROJECT NAME: _____

CUSTOMER: _____

DRAWN BY DATE: _____

CHECKED BY APPROVED BY: _____

ACD 04/04/18

TOLERANCES UNLESS OTHERWISE SPECIFIED

DEC. .500"

SCALE 1" = 1'-0"

ANGLE 5"

SIZE 1" = 1'-0"

FRAC. 1/2"

FRAC. 1/2"

APPROXIMATE SHIPPING WEIGHT: 2,378 LBS.

APPROXIMATE OPERATING WEIGHT: 2,568 LBS.

UL LISTED PACKAGED PUMPING SYSTEMS & HEAT TRANSFER SYSTEMS

THIS DRAWING AND THE INFORMATION SPECIFIED THEREIN ARE THE PROPERTY OF FLOWTECH SYSTEMS, A DIVISION OF CHC. COPIES ARE ISSUED IN STRICT CONFIDENCE AND SHALL NOT BE REPRODUCED OR TRANSMITTED IN ANY FORM OR BY ANY MEANS, ELECTRONIC OR MECHANICAL, INCLUDING PHOTOCOPYING, RECORDING, OR BY ANY INFORMATION STORAGE AND RETRIEVAL SYSTEM, WITHOUT THE WRITTEN PERMISSION OF CHC.

FLOWTECH systems HAYWARD, CALIFORNIA

FMW3.1-12-XL - VARIABLE SPEED TRIPLEX PRESSURE BOOSTER

DRAWING NO. FMW3.1-12-XL

REV 1