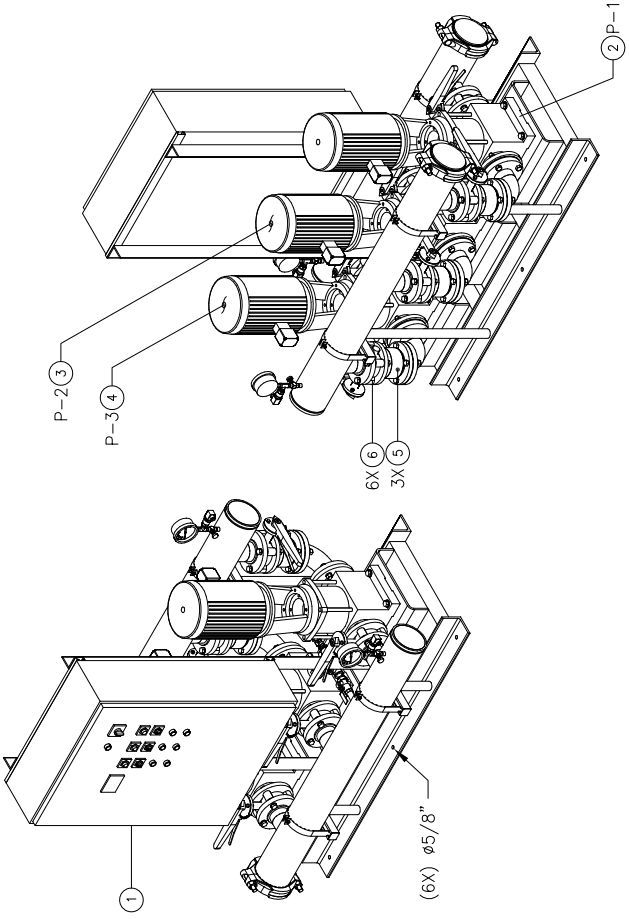
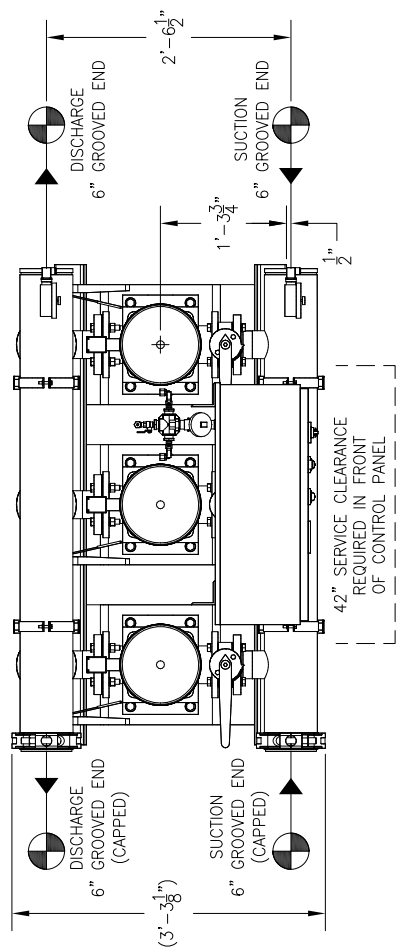


RELIEF VALVES AND ANCHORAGE EQUIPMENT DRAINS TO BE IN COMPLIANCE WITH LOCAL CODES AND ANY SEISMIC REQUIREMENTS.

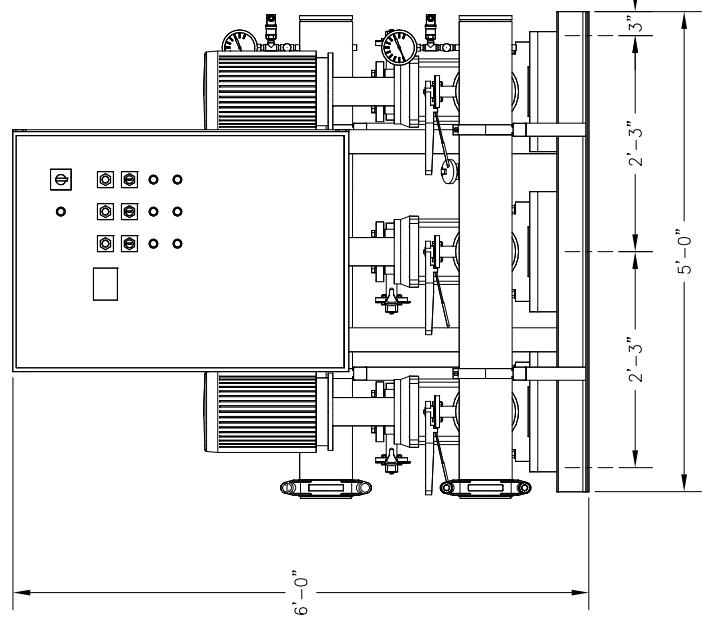
RELIEF VALVES AND ANCHORAGE EQUIPMENT DRAINS TO BE PIPED TO DRAIN OR VENT BY CONTRACTOR PER CODE REQUIREMENT.



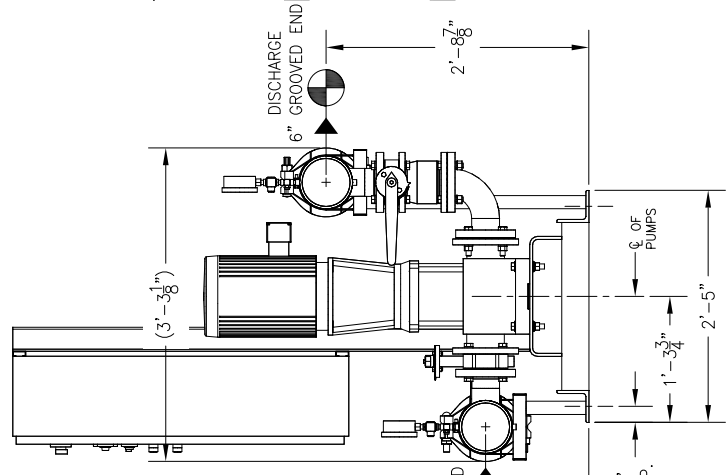
**CONSTRUCTION NOTES:**  
 1. SUCTION AND DISCHARGE HEADERS ARE GROOVED ON BOTH ENDS.  
 2. END CAPS CAN BE PLACED ON EITHER END OF HEADERS.  
 3. SYSTEM DESIGNED FOR INDOOR INSTALLATION.



TOP VIEW



FRONT VIEW



RIGHT END VIEW

-GPM		-PSI		TOTAL SYSTEM CAPACITY					
TOTAL FLOW	TOTAL DISCHARGE PRESSURE	TOTAL DISCHARGE PRESSURE	AVAILABLE PRESSURE						
4	P-3	GOULDS	46SVG-2	-	15	3500	H60 / 60 / 3	TEFC	P.E.
3	P-2	GOULDS	46SVG-2	-	15	3500	H60 / 60 / 3	TEFC	P.E.
2	P-1	GOULDS	46SVG-2	-	15	3500	H60 / 60 / 3	TEFC	P.E.
ITEM	TAG	MANUFACTURER	SERIES	MODEL	GPM	TDH	HP	RPM	VOLTS/PH/ENCLOSURE
PUMP SCHEDULE									
10	-	-	-	-	-	-	-	-	-
9	-	-	-	-	-	-	-	-	-
8	-	-	-	-	-	-	-	-	-
7	-	-	-	-	-	-	-	-	-
6	6	-	-	LUG TYPE BUTTERFLY VALVE	-	3"	-	-	-
5	3	-	-	VAL-MATIC GLOBE CHECK VALVE	-	3"	-	-	-
4	1	P-3	GOULDS	ESV MULTISTAGE PUMP MODEL	46SVG-2	-	-	-	-
3	1	P-2	GOULDS	ESV MULTISTAGE PUMP MODEL	46SVG-2	-	-	-	-
2	1	P-1	GOULDS	ESV MULTISTAGE PUMP MODEL	46SVG-2	-	-	-	-
1	1	-	-	AQUALOGIC XL CONTROL PANEL	-	-	-	-	-
ITEM	QTY	TAG	DESCRIPTION						

**GENERAL NOTES:**  
 (1) SINGLE POINT POWER CONNECTION AT CONTROL PANEL.  
 (2) HYDRO PRESSURE CHECK AT 125 PSI.  
 (3) ASSEMBLED SYSTEM TO BE PAINTED WITH INDUSTRIAL MACHINE ENAMEL PRIOR TO SHIPMENT.

**UL LISTED**  
 PACKAGED PUMPING SYSTEMS & HEAT TRANSFER SYSTEMS

APPROXIMATE SHIPPING WEIGHT: 2,192 LBS.  
 APPROXIMATE OPERATING WEIGHT: 2,373 LBS.

**PROJECT NAME:** \_\_\_\_\_  
**CUSTOMER:** \_\_\_\_\_  
**DRAWN BY DATE:** ACD 04/04/18  
**CHECKED BY APPROVED BY:** \_\_\_\_\_  
 TOLERANCES UNLESS OTHERWISE SPECIFIED  
 DEC. .500" FRACTION 1/2" ANGLE 5" SCALE 1" = 1'-0"

**EQUIPMENT SCHEDULE**

**FLOWTECH systems**  
 HAYWARD, CALIFORNIA

**DRAWING TITLE:** FMV3.1-14-XL - VARIABLE SPEED TRIPLEX PRESSURE BOOSTER  
**DRAWING NO.:** FMV3.1-14-XL  
**REV:** 1