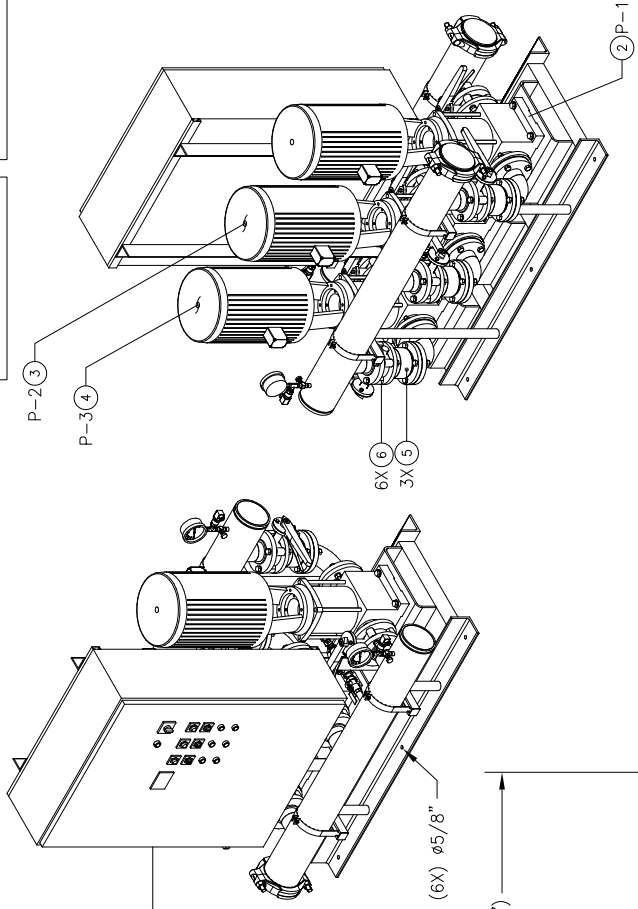


RELIEF VALVES AND ANCHORAGE EQUIPMENT DRAINS TO BE PIPED TO DRAIN OR VENT BY CONTRACTOR PER CODE REQUIREMENTS.

ALL BOLTING AND ANCHORAGE TO BE IN COMPLIANCE WITH LOCAL CODES AND ANY SEISMIC REQUIREMENTS.

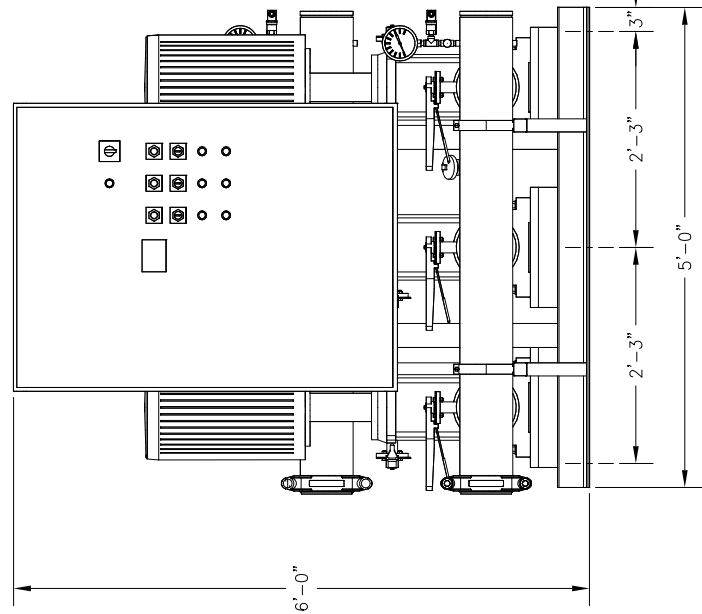
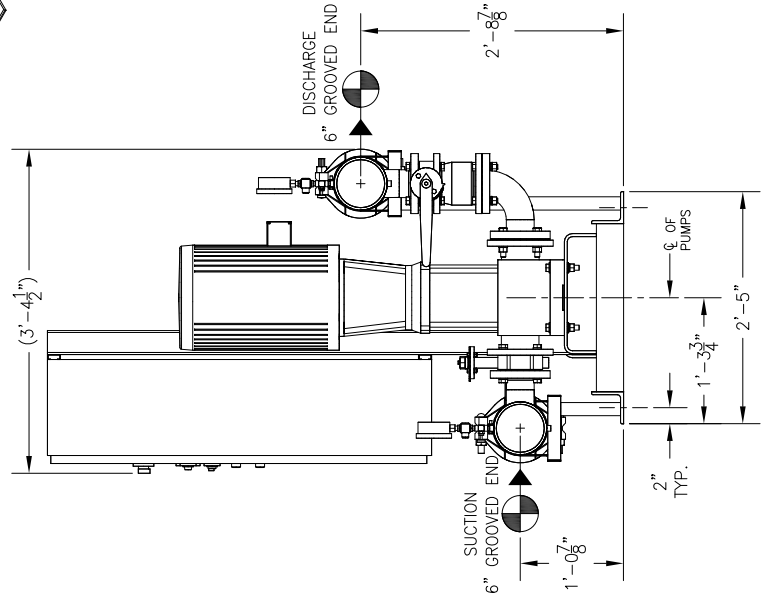
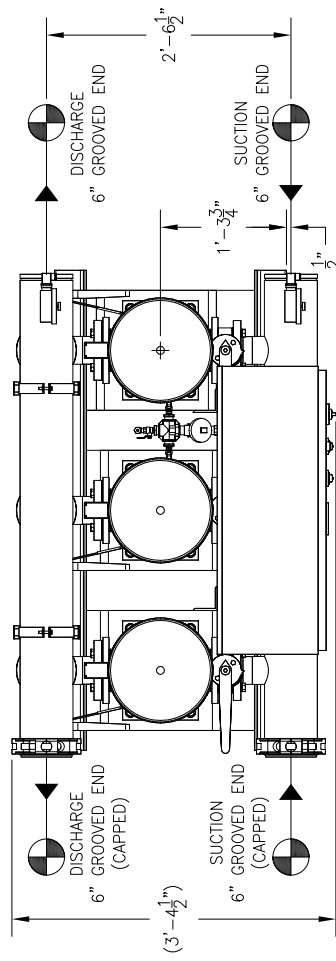


CONSTRUCTION NOTES:  
 1. SUCTION AND DISCHARGE HEADERS ARE GROOVED ON BOTH ENDS.  
 2. END CAPS CAN BE PLACED ON EITHER END OF HEADERS.  
 3. SYSTEM DESIGNED FOR INDOOR INSTALLATION.

-GPM	-PSI	-PSI	-PSI
TOTAL FLOW	TOTAL DISCHARGE PRESSURE	AVAILABLE PRESSURE	AVAILABLE PRESSURE
TOTAL SYSTEM CAPACITY			

ITEM	TAG	MANUFACTURER	SERIES	MODEL	GPM	TDH	HP	RPM	VOLTS/PH	ENCLOSURE
4	P-3	GOULDS	ESV	46SVG-3/2	-	-	20	3500	460 / 60 / 3	TEFC P.E.
3	P-2	GOULDS	ESV	46SVG-3/2	-	-	20	3500	460 / 60 / 3	TEFC P.E.
2	P-1	GOULDS	ESV	46SVG-3/2	-	-	20	3500	460 / 60 / 3	TEFC P.E.

ITEM	QTY	TAG	DESCRIPTION
10	-	-	-
9	-	-	-
8	-	-	-
7	-	-	-
6	6	-	LUG TYPE BUTTERFLY VALVE - 3"
5	3	-	VAL-MATIC GLOBE CHECK VALVE - 3"
4	1	P-3	GOULDS ESV MULTISTAGE PUMP MODEL 46SVG-3/2
3	1	P-2	GOULDS ESV MULTISTAGE PUMP MODEL 46SVG-3/2
2	1	P-1	GOULDS ESV MULTISTAGE PUMP MODEL 46SVG-3/2
1	1	-	AQUALOGIC XL CONTROL PANEL



**GENERAL NOTES:**  
 (1) SINGLE POINT POWER CONNECTION AT CONTROL PANEL.  
 (2) HYDRO PRESSURE CHECK AT 125 PSI.  
 (3) ASSEMBLED SYSTEM TO BE PAINTED WITH INDUSTRIAL MACHINE ENAMEL PRIOR TO SHIPMENT.

**UL LISTED**  
 PACKAGED PUMPING SYSTEMS & HEAT TRANSFER SYSTEMS

**PROJECT NAME:** \_\_\_\_\_  
**CUSTOMER:** \_\_\_\_\_  
**DRAWN BY DATE:** 04/04/18  
**CHECKED BY APPROVED BY:** \_\_\_\_\_  
**TOLERANCES UNLESS OTHERWISE SPECIFIED:**  
 DEC. .500" FRACTION 1/2" ANGLE 5" SCALE 1" = 1'-0"

**EQUIPMENT SCHEDULE**

ITEM	QTY	TAG	DESCRIPTION
10	-	-	-
9	-	-	-
8	-	-	-
7	-	-	-
6	6	-	LUG TYPE BUTTERFLY VALVE - 3"
5	3	-	VAL-MATIC GLOBE CHECK VALVE - 3"
4	1	P-3	GOULDS ESV MULTISTAGE PUMP MODEL 46SVG-3/2
3	1	P-2	GOULDS ESV MULTISTAGE PUMP MODEL 46SVG-3/2
2	1	P-1	GOULDS ESV MULTISTAGE PUMP MODEL 46SVG-3/2
1	1	-	AQUALOGIC XL CONTROL PANEL

**FLOWTECH systems**  
 HAYWARD, CALIFORNIA

**DRAWING TITLE:** FMV3.1-15-XL - VARIABLE SPEED TRIPLEX PRESSURE BOOSTER  
**DRAWING NO.:** FMV3.1-15-XL  
**REV:** 1

**APPROXIMATE SHIPPING WEIGHT:** 2,524 LBS.  
**APPROXIMATE OPERATING WEIGHT:** 2,706 LBS.

**CONNECTION POINT OF CONNECTION:** \_\_\_\_\_