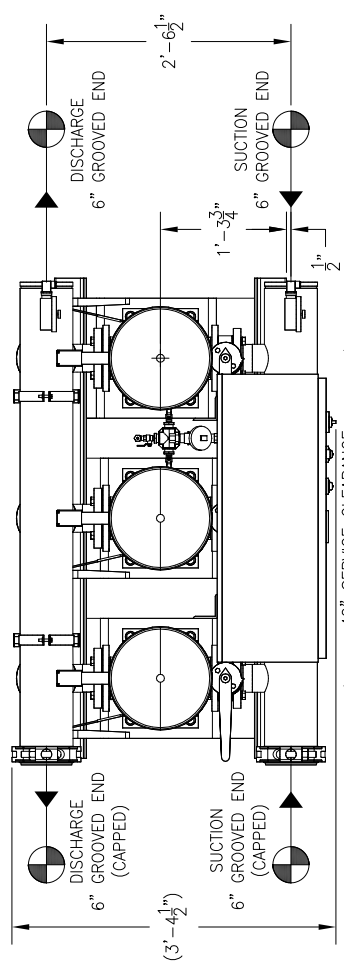
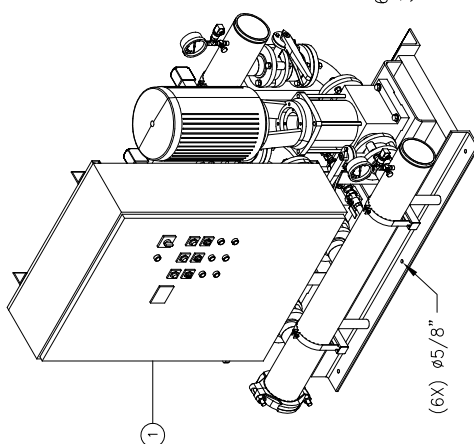
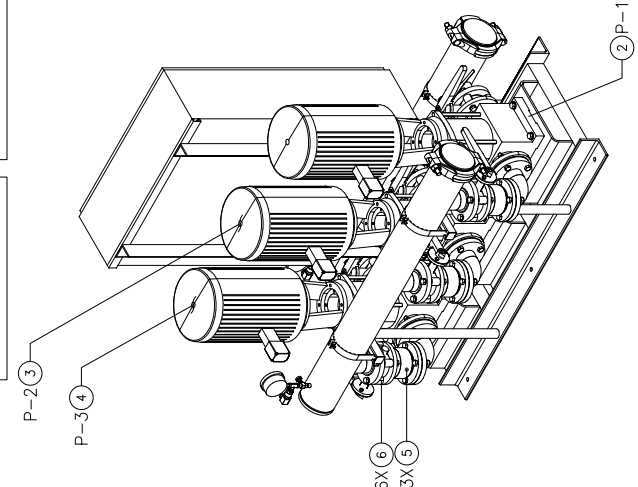
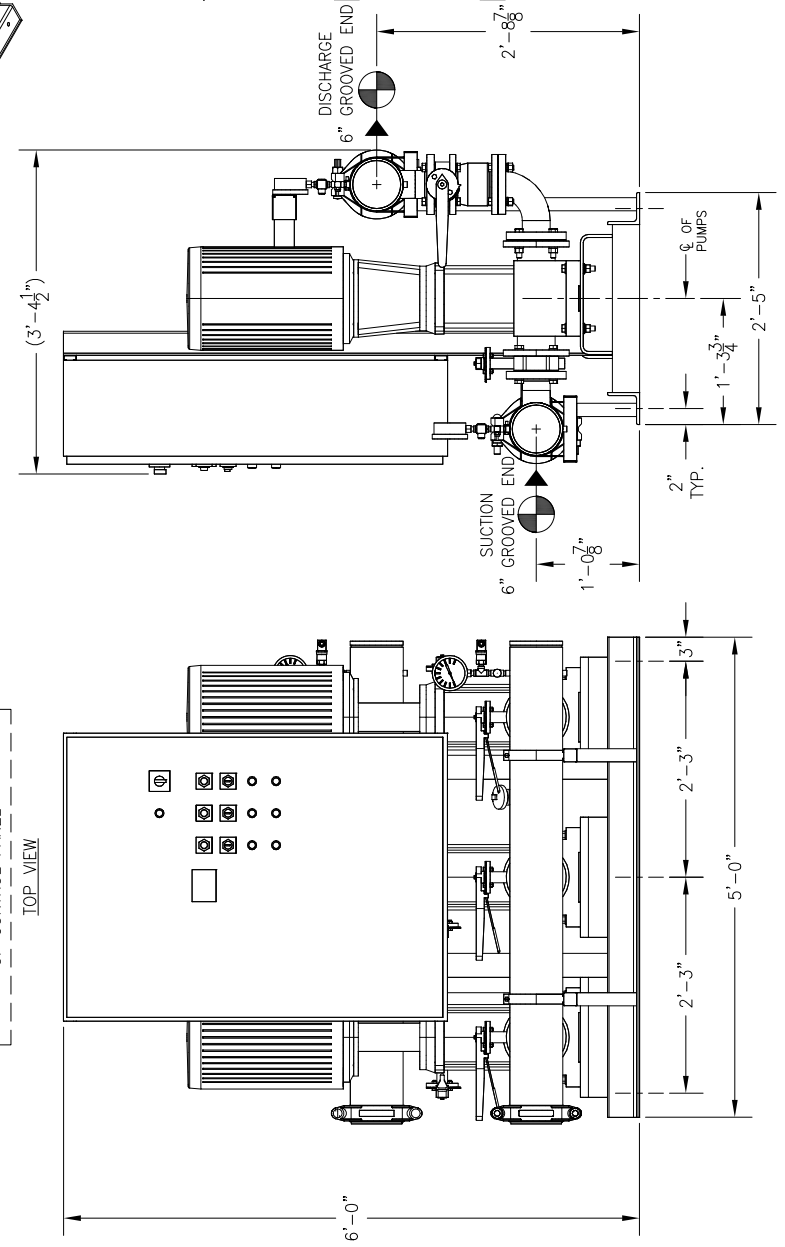


RELIEF VALVES AND ANCHORAGE EQUIPMENT DRAINS TO BE IN COMPLIANCE WITH LOCAL CODES AND ANY SEISMIC REQUIREMENTS.

RELIEF VALVES AND EQUIPMENT DRAINS TO BE PIPED TO DRAIN OR VENT BY CONTRACTOR PER CODE REQUIREMENT.



42" SERVICE CLEARANCE REQUIRED IN FRONT OF CONTROL PANEL



CONSTRUCTION NOTES:
 1. SUCTION AND DISCHARGE HEADERS ARE GROOVED ON BOTH ENDS.
 2. END CAPS CAN BE PLACED ON EITHER END OF HEADERS.
 3. SYSTEM DESIGNED FOR INDOOR INSTALLATION.

-GPM		-PSI		-PSI									
TOTAL FLOW		TOTAL DISCHARGE PRESSURE		AVAILABLE PRESSURE									
TOTAL SYSTEM CAPACITY													
4	P-3	GOULDS	46SVG-3	-	25	3500	H60	/	60	/	3	TEFC	P.E.
3	P-2	GOULDS	46SVG-3	-	25	3500	H60	/	60	/	3	TEFC	P.E.
2	P-1	GOULDS	46SVG-3	-	25	3500	H60	/	60	/	3	TEFC	P.E.
ITEM	TAG	MANUFACTURER	SERIES	MODEL	GPM	TDH	HP	RPM	VOLTS/ΔZ/PH	ENCLOSURE	PUMP SCHEDULE		
10	-	-	-	-	-	-	-	-	-	-	LUG TYPE BUTTERFLY VALVE - 3"		
9	-	-	-	-	-	-	-	-	-	-	VAL-MATIC GLOBE CHECK VALVE - 3"		
8	-	-	-	-	-	-	-	-	-	-	GOULDS ESV MULTISTAGE PUMP MODEL 46SVG-3		
7	-	-	-	-	-	-	-	-	-	-	GOULDS ESV MULTISTAGE PUMP MODEL 46SVG-3		
6	6	-	-	-	-	-	-	-	-	-	GOULDS ESV MULTISTAGE PUMP MODEL 46SVG-3		
5	3	-	-	-	-	-	-	-	-	-	AQUALOGIC XL CONTROL PANEL		
ITEM	QTY	TAG	DESCRIPTION										

GENERAL NOTES:
 (1) SINGLE POINT POWER CONNECTION AT CONTROL PANEL.
 (2) HYDRO PRESSURE CHECK AT 125 PSI.
 (3) ASSEMBLED SYSTEM TO BE PAINTED WITH INDUSTRIAL MACHINE ENAMEL PRIOR TO SHIPMENT.

UL LISTED
 PACKAGED PUMPING SYSTEMS & HEAT TRANSFER SYSTEMS

APPROXIMATE SHIPPING WEIGHT: 2,564 LBS.
 APPROXIMATE OPERATING WEIGHT: 2,746 LBS.

FLOWTECH systems
 HAYWARD, CALIFORNIA

EQUIPMENT SCHEDULE

PROJECT NAME: _____
CUSTOMER: _____
DRAWN BY DATE: _____
ACD 04/04/18
CHECKED BY APPROVED BY: _____
TOLERANCES UNLESS OTHERWISE SPECIFIED:
 DEC. .500" FRACTION 1/2" ANGLE 5" SCALE 1" = 1'-0"

DRAWING NO.: FWM3.1-16-XL
REV: 1