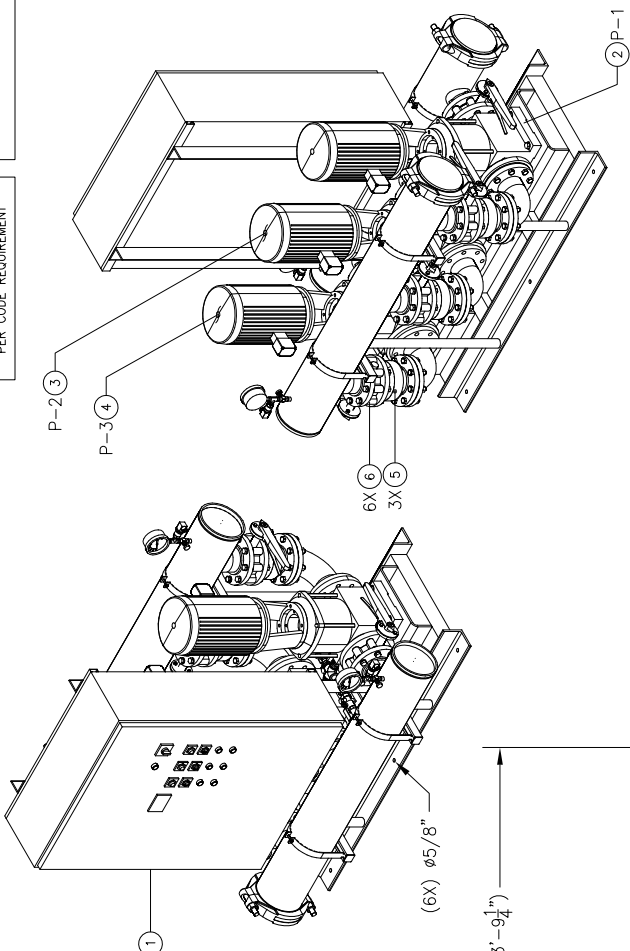


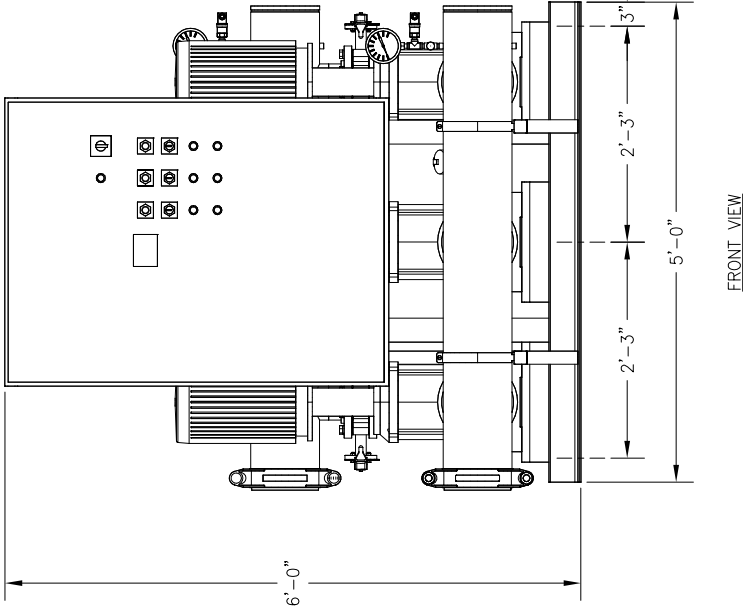
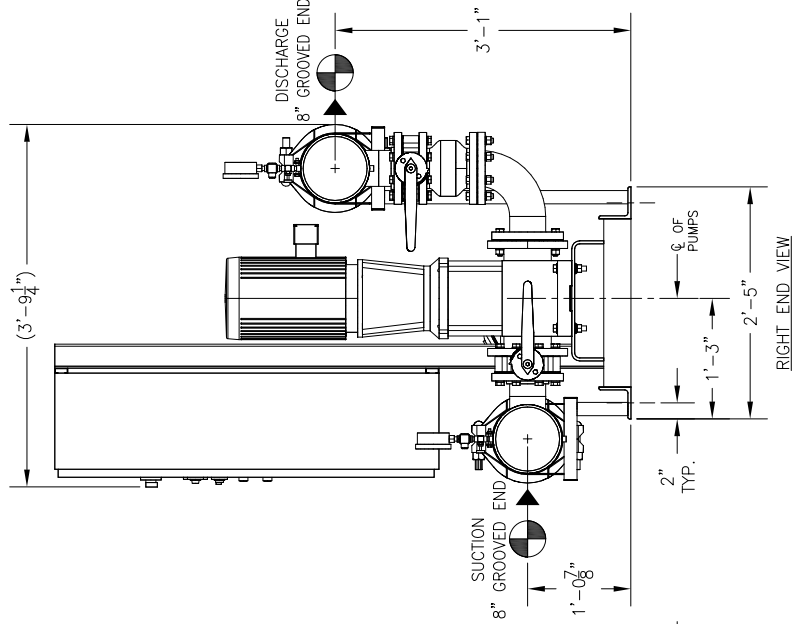
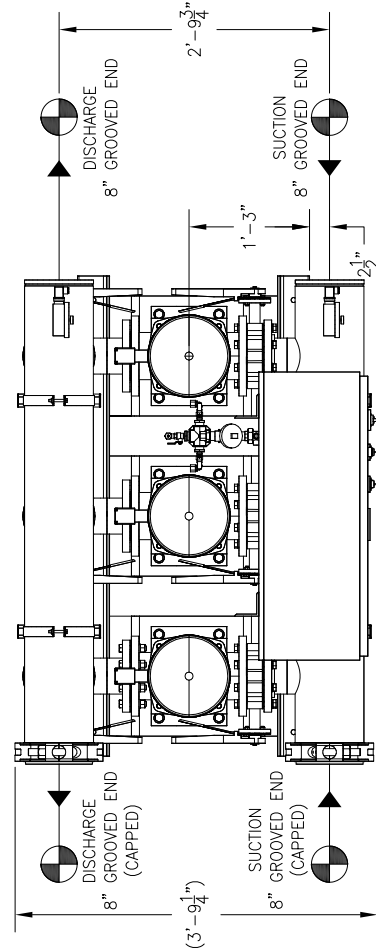
RELIEF VALVES AND ANCHORAGE EQUIPMENT DRAINS TO BE PIPED TO DRAIN OR VENT BY CONTRACTOR PER CODE REQUIREMENTS.

ALL BOLTING AND ANCHORAGE TO BE IN COMPLIANCE WITH LOCAL CODES AND ANY SEISMIC REQUIREMENTS.



CONSTRUCTION NOTES:  
 1. SUCTION AND DISCHARGE HEADERS ARE GROOVED ON BOTH ENDS.  
 2. END CAPS CAN BE PLACED ON EITHER END OF HEADERS.  
 3. SYSTEM DESIGNED FOR INDOOR INSTALLATION.

TOTAL FLOW		TOTAL DISCHARGE PRESSURE		TOTAL SYSTEM CAPACITY					
-GPM		-PSI		-PSI					
TOTAL FLOW		TOTAL DISCHARGE PRESSURE		AVAILABLE PRESSURE					
4	P-3	GOULDS	ESV 66SVG-2/1	-	20	3500	H60 / 60 / 3	TEFC	P.E.
3	P-2	GOULDS	ESV 66SVG-2/1	-	20	3500	H60 / 60 / 3	TEFC	P.E.
2	P-1	GOULDS	ESV 66SVG-2/1	-	20	3500	H60 / 60 / 3	TEFC	P.E.
ITEM	TAG	MANUFACTURER	SERIES	MODEL	GPM	TDH	HP	RPM	VOLTS/PH/PH ENCLOSURE
PUMP SCHEDULE									
10	-	-	-	-	-	-	-	-	-
9	-	-	-	-	-	-	-	-	-
8	-	-	-	-	-	-	-	-	-
7	-	-	-	-	-	-	-	-	-
6	6	-	-	LUG TYPE BUTTERFLY VALVE	-	4"	-	-	-
5	3	-	-	VAL-MATIC GLOBE CHECK VALVE	-	4"	-	-	-
4	1	P-3	GOULDS	ESV MULTISTAGE PUMP MODEL 66SVG-2/1	-	-	-	-	-
3	1	P-2	GOULDS	ESV MULTISTAGE PUMP MODEL 66SVG-2/1	-	-	-	-	-
2	1	P-1	GOULDS	ESV MULTISTAGE PUMP MODEL 66SVG-2/1	-	-	-	-	-
1	1	-	-	AQUALOGIC XL CONTROL PANEL	-	-	-	-	-
ITEM	QTY	TAG	DESCRIPTION						



**GENERAL NOTES:**  
 (1) SINGLE POINT POWER CONNECTION AT CONTROL PANEL.  
 (2) HYDRO PRESSURE CHECK AT 125 PSI.  
 (3) ASSEMBLED SYSTEM TO BE PAINTED WITH INDUSTRIAL MACHINE ENAMEL PRIOR TO SHIPMENT.

**UL LISTED**  
 PACKAGED PUMPING SYSTEMS & HEAT TRANSFER SYSTEMS

APPROXIMATE SHIPPING WEIGHT: 2,927 LBS.  
 APPROXIMATE OPERATING WEIGHT: 3,249 LBS.

**PROJECT NAME:**  
 -

**CUSTOMER:**  
 -

**DRAWN BY DATE:** 04/04/18  
**ACD**

**CHECKED BY APPROVED BY:**  
 -

**TOLERANCES UNLESS OTHERWISE SPECIFIED:**  
 DEC. .500" FRACTION 1/2" ANGLE SIZE 5" SCALE 1" = 1'-0"

**EQUIPMENT SCHEDULE**

**FLOWTECH systems**  
 HAYWARD, CALIFORNIA

**DRAWING TITLE:**  
 FMV3.1-18-XL - VARIABLE SPEED TRIPLEX PRESSURE BOOSTER

**DRAWING NO.:** FMV3.1-18-XL  
**REV:** 1