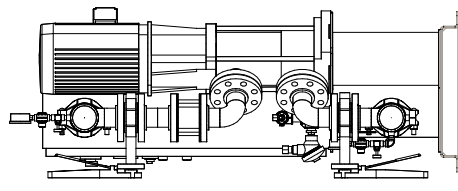
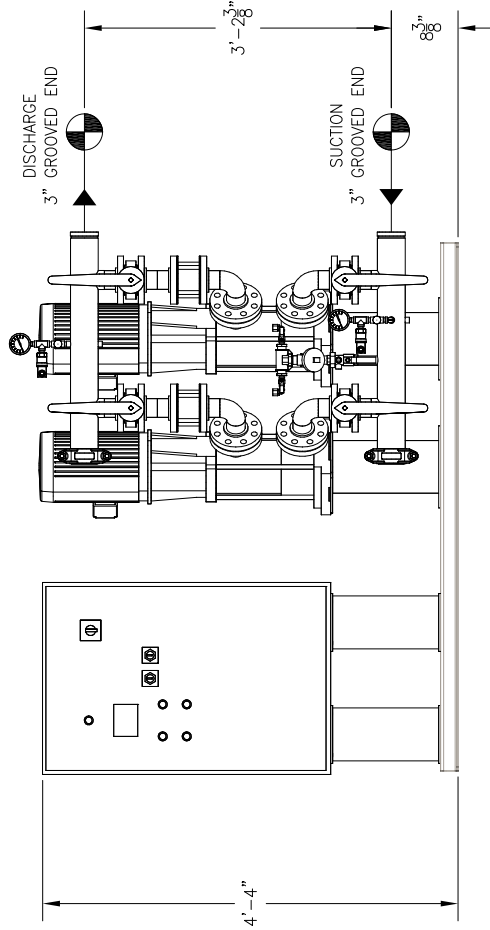
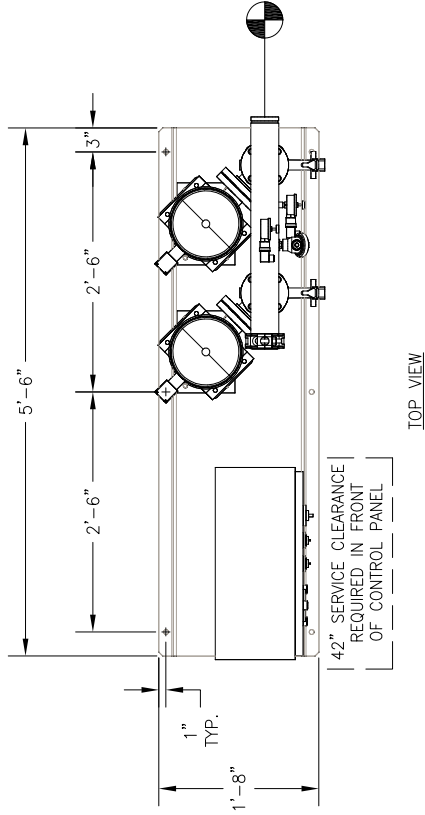
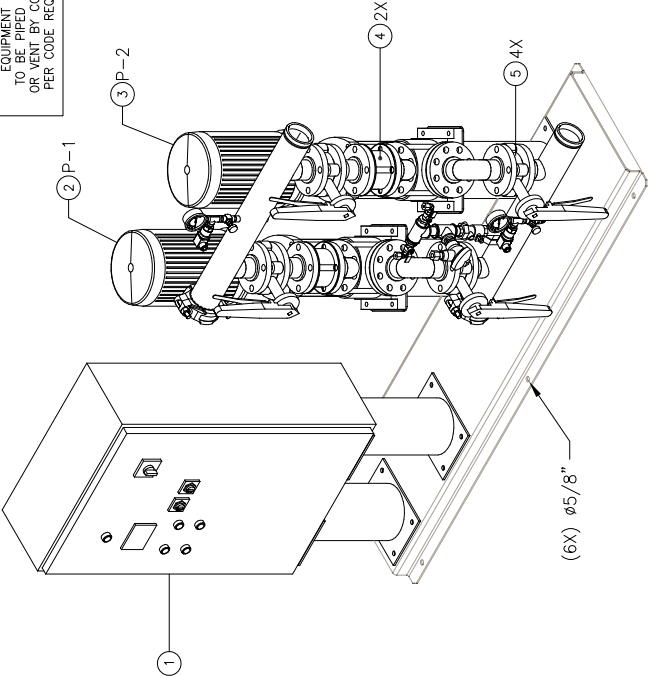


RELIEF VALVES AND ANCHORAGE EQUIPMENT DRAINS TO BE IN COMPLIANCE WITH LOCAL CODES AND ANY SEISMIC REQUIREMENTS.

RELIEF VALVES AND ANCHORAGE EQUIPMENT DRAINS TO BE PIPED TO DRAIN OR VENT BY CONTRACTOR PER CODE REQUIREMENT



CONSTRUCTION NOTES:
 1. SUCTION AND DISCHARGE HEADERS ARE GROOVED ON BOTH ENDS.
 2. SYSTEM DESIGNED FOR INDOOR INSTALLATION.

TOTAL FLOW		-GPM		-PSI		-PSI		-PSI		
TOTAL DISCHARGE PRESSURE		TOTAL SYSTEM CAPACITY		AVAILABLE PRESSURE		TOTAL FLOW		-GPM		
3	P-2	GOULDS	ESV	15SVR-4	-	-	5	3500	460 / 60 / 3	TEFC P.E.
2	P-1	GOULDS	ESV	15SVR-4	-	-	5	3500	460 / 60 / 3	TEFC P.E.
ITEM	TAG	MANUFACTURER	SERIES	MODEL	GPM	TDH	HP	RPM	VOLTS/AHZ/PH	ENCLOSURE
PUMP SCHEDULE										
10	-	-	-	-	-	-	-	-	-	-
9	-	-	-	-	-	-	-	-	-	-
8	-	-	-	-	-	-	-	-	-	-
7	-	-	-	-	-	-	-	-	-	-
6	-	-	-	-	-	-	-	-	-	-
5	4	-	-	-	-	-	-	-	-	LUG TYPE BUTTERFLY VALVE - 2"
4	2	-	-	-	-	-	-	-	-	VAL-MATIC WAFER CHECK VALVE - 2"
3	1	P-2	GOULDS	ESV MULTI-STAGE PUMP	MODEL 15SVR-4	-	-	-	-	-
2	1	P-1	GOULDS	ESV MULTI-STAGE PUMP	MODEL 15SVR-4	-	-	-	-	-
1	1	-	-	-	-	-	-	-	-	VARIABLE SPEED PUMP CONTROL PANEL
ITEM	QTY	TAG	DESCRIPTION							

EQUIPMENT SCHEDULE	
PROJECT NAME:	
CUSTOMER:	
DRAWN BY DATE:	CHECKED BY APPROVED BY:
ACD 10/07/07/16	
TOLERANCES UNLESS OTHERWISE SPECIFIED	
DEC. .500"	SCALE 1" = 1'-0"
FAC. 1/2"	ANGLE 5"
FRAC. 1/2"	SIZE C
ANG. 1/2"	SCALE 1" = 1'-0"
DEC. .500"	SCALE 1" = 1'-0"

THIS DRAWING AND THE INFORMATION SPECIFIED THEREIN ARE THE PROPERTY OF FLOWTHERM SYSTEMS, A DIVISION OF CHC. COPIES ARE ISSUED IN STRICT CONFIDENCE AND SHALL NOT BE LOANED, REPRODUCED, COPIED, OR USED FOR ANY PURPOSE WITHOUT THE WRITTEN PERMISSION OF CHC.

UL LISTED
 PACKAGED PUMPING SYSTEMS & HEAT TRANSFER SYSTEMS

APPROXIMATE SHIPPING WEIGHT: 778 LBS.
 APPROXIMATE OPERATING WEIGHT: 809 LBS.

GENERAL NOTES:
 (1) SINGLE POINT POWER CONNECTION AT CONTROL PANEL.
 (2) HYDRO PRESSURE CHECK AT 125 PSI.
 (3) ASSEMBLED SYSTEM TO BE PAINTED WITH INDUSTRIAL MACHINE ENAMEL PRIOR TO SHIPMENT.

= DENOTES CONTRACTOR POINT OF CONNECTION

FlowTherm systems
 HAYWARD, CALIFORNIA

DRAWING TITLE: VARIABLE SPEED DUPLEX PRESSURE BOOSTER
 DRAWING NO. FMWZ-SSU
 REV. A