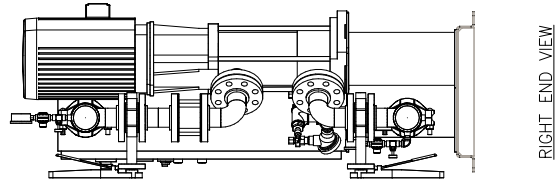
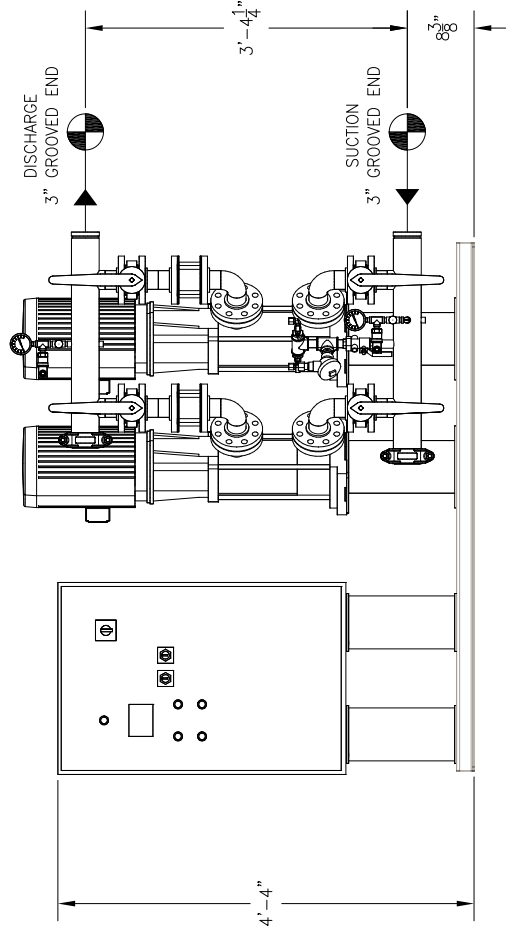
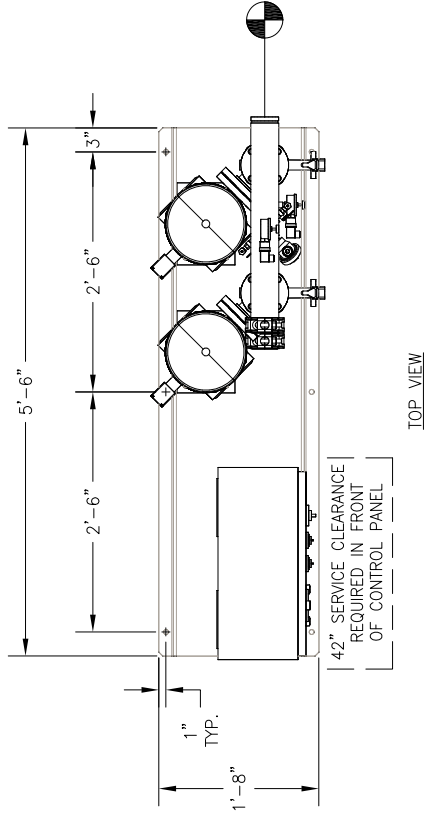
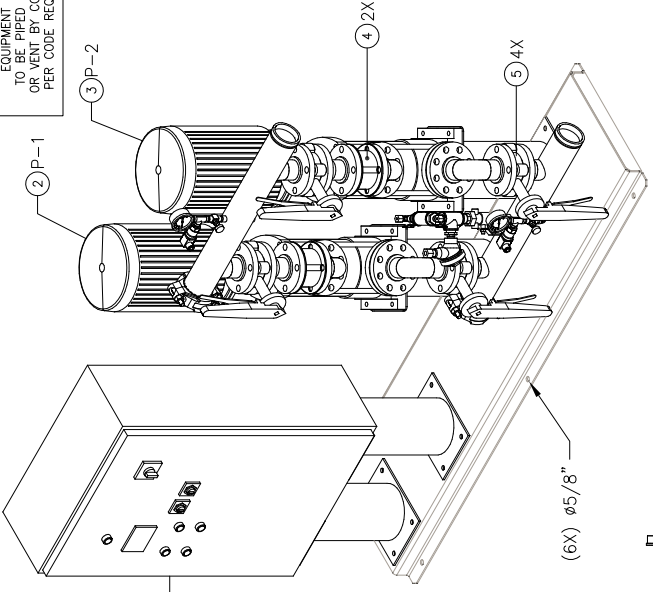


ALL BOLTING AND ANCHORAGE TO BE IN COMPLIANCE WITH LOCAL CODES AND ANY SEISMIC REQUIREMENTS.

RELIEF VALVES AND EQUIPMENT DRAINS TO BE PIPED TO DRAIN OR VENT BY CONTRACTOR PER CODE REQUIREMENT



CONSTRUCTION NOTES:
 1. SUCTION AND DISCHARGE HEADERS ARE GROOVED ON BOTH ENDS.
 2. SYSTEM DESIGNED FOR INDOOR INSTALLATION.

TOTAL FLOW		- GPM		- PSI		- PSI		AVAILABLE PRESSURE			
TOTAL DISCHARGE PRESSURE		TOTAL SYSTEM CAPACITY									
3	P-2	GOULDS	ESV	15SVR-5	-	10	3500	460	60	3	TEFC P.E.
2	P-1	GOULDS	ESV	15SVR-5	-	10	3500	460	60	3	TEFC P.E.
ITEM	TAG	MANUFACTURER	SERIES	MODEL	GPM	TDH	HP	RPM	VOLTS/AHZ/PH	ENCLOSURE	
PUMP SCHEDULE											
10	-	-	-	-	-	-	-	-	-	-	-
9	-	-	-	-	-	-	-	-	-	-	-
8	-	-	-	-	-	-	-	-	-	-	-
7	-	-	-	-	-	-	-	-	-	-	-
6	-	-	-	-	-	-	-	-	-	-	-
5	4	-	-	-	-	-	-	-	-	-	-
4	2	-	-	-	-	-	-	-	-	-	-
3	1	P-2	GOULDS	ESV MULTI-STAGE PUMP	MODEL 15SVR-5						
2	1	P-1	GOULDS	ESV MULTI-STAGE PUMP	MODEL 15SVR-5						
1	1	-	-	-	-	-	-	-	-	-	-
ITEM	QTY	TAG	DESCRIPTION								
EQUIPMENT SCHEDULE											



PROJECT NAME:
 CUSTOMER:
 DRAWN BY DATE: 07/08/16
 CHECKED BY APPROVED BY:
 TOLERANCES UNLESS OTHERWISE SPECIFIED
 DEC. FRACTION: 1/2"
 ANGLE: 5"
 SCALE: 1" = 1'-0"
 FAB NO.:
 DRAWING NO.: FMWZ-7SL
 VARIABLE SPEED DUPLEX PRESSURE BOOSTER
 REV: A

THIS DRAWING AND THE INFORMATION SPECIFIED THEREIN ARE THE PROPERTY OF FLOWTHERM SYSTEMS, A DIVISION OF CHC. COPIES ARE ISSUED IN STRICT CONFIDENCE AND SHALL NOT BE LOANED, REPRODUCED, COPIED, OR USED FOR ANY PURPOSE WITHOUT THE WRITTEN PERMISSION OF CHC.

UL LISTED
 PACKAGED PUMPING SYSTEMS & HEAT TRANSFER SYSTEMS
 APPROXIMATE SHIPPING WEIGHT: 879 LBS.
 APPROXIMATE OPERATING WEIGHT: 910 LBS.

GENERAL NOTES:
 (1) SINGLE POINT POWER CONNECTION AT CONTROL PANEL.
 (2) HYDRO PRESSURE CHECK AT 125 PSI.
 (3) ASSEMBLED SYSTEM TO BE PAINTED WITH INDUSTRIAL MACHINE ENAMEL PRIOR TO SHIPMENT.
 = DENOTES CONTRACTOR POINT OF CONNECTION