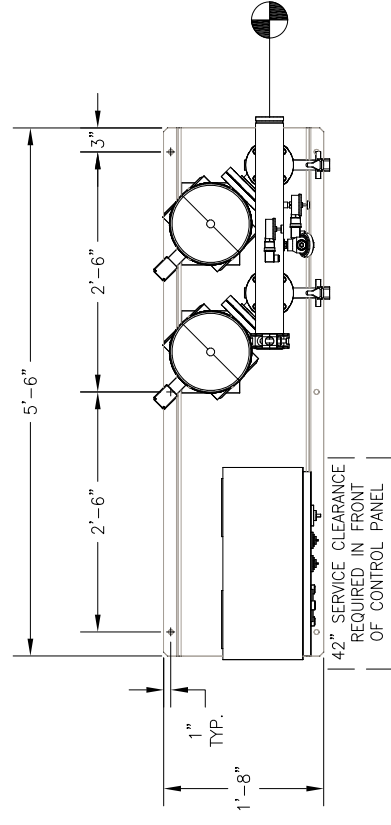
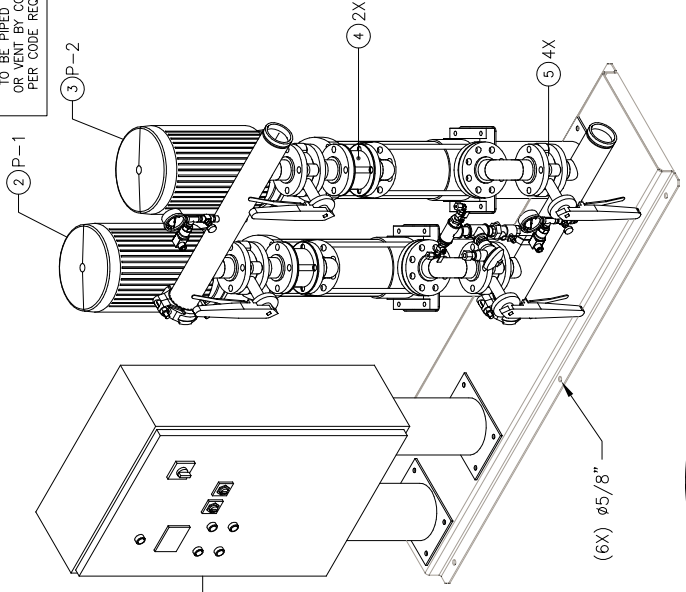
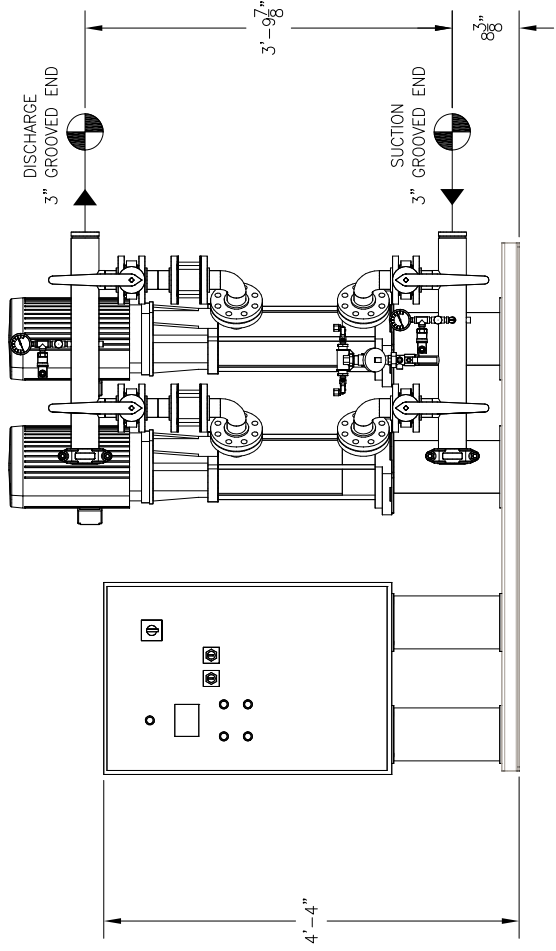


ALL BOLTING AND ANCHORAGE TO BE IN COMPLIANCE WITH LOCAL CODES AND ANY SEISMIC REQUIREMENTS.

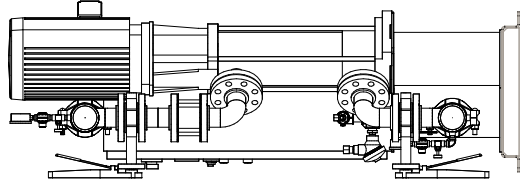
RELIEF VALVES AND EQUIPMENT DRAINS TO BE PIPED TO DRAIN OR VENT BY CONTRACTOR PER CODE REQUIREMENT



TOP VIEW



FRONT VIEW



RIGHT END VIEW

CONSTRUCTION NOTES:
 1. SUCTION AND DISCHARGE HEADERS ARE GROOVED ON BOTH ENDS.
 2. SYSTEM DESIGNED FOR INDOOR INSTALLATION.

TOTAL FLOW		- GPM		- PSI		- PSI		- PSI			
TOTAL DISCHARGE PRESSURE		TOTAL SYSTEM CAPACITY		AVAILABLE PRESSURE		AVAILABLE PRESSURE		AVAILABLE PRESSURE			
3	P-2	GOULDS	ESV	15SVR-8	-	15	3500	460	60	3	TEFC P.E.
2	P-1	GOULDS	ESV	15SVR-8	-	15	3500	460	60	3	TEFC P.E.
ITEM	TAG	MANUFACTURER	SERIES	MODEL	GPM	TDH	HP	RPM	VOLTS/42/PH	ENCLOSURE	
PUMP SCHEDULE											
10	-	-	-	-	-	-	-	-	-	-	-
9	-	-	-	-	-	-	-	-	-	-	-
8	-	-	-	-	-	-	-	-	-	-	-
7	-	-	-	-	-	-	-	-	-	-	-
6	-	-	-	-	-	-	-	-	-	-	-
5	4	-	-	-	-	-	-	-	-	-	-
4	2	-	-	-	-	-	-	-	-	-	-
3	1	P-2	GOULDS	ESV MULTI-STAGE PUMP	MODEL 15SVR-8						
2	1	P-1	GOULDS	ESV MULTI-STAGE PUMP	MODEL 15SVR-8						
1	1	-	-	-	-	-	-	-	-	-	-
ITEM	QTY	TAG	DESCRIPTION								

GENERAL NOTES:
 (1) SINGLE POINT POWER CONNECTION AT CONTROL PANEL.
 (2) HYDRO PRESSURE CHECK AT 125 PSI.
 (3) ASSEMBLED SYSTEM TO BE PAINTED WITH INDUSTRIAL MACHINE ENAMEL PRIOR TO SHIPMENT.
 = DENOTES CONTRACTOR POINT OF CONNECTION

LISTED
 PACKAGED PUMPING SYSTEMS
 & HEAT TRANSFER SYSTEMS

UL

APPROXIMATE SHIPPING WEIGHT: 1,077 LBS.
 APPROXIMATE OPERATING WEIGHT: 1,108 LBS.

PROJECT NAME:
 CUSTOMER:
 DRAWN BY DATE: 07/08/16
 CHECKED BY APPROVED BY:
 TOLERANCES UNLESS OTHERWISE SPECIFIED:
 DEC. .500" FRACTION 1/2" ANGLE 5° SCALE 1" = 1'-0"

FLOWTECH
 systems
 HAYWARD, CALIFORNIA

VARIABLE SPEED DUPLEX PRESSURE BOOSTER
 DRAWING NO. FMWZ-BSL
 REV. A