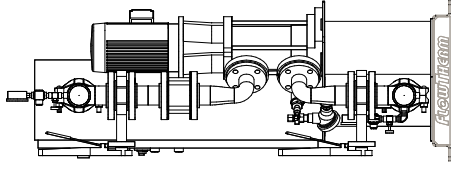
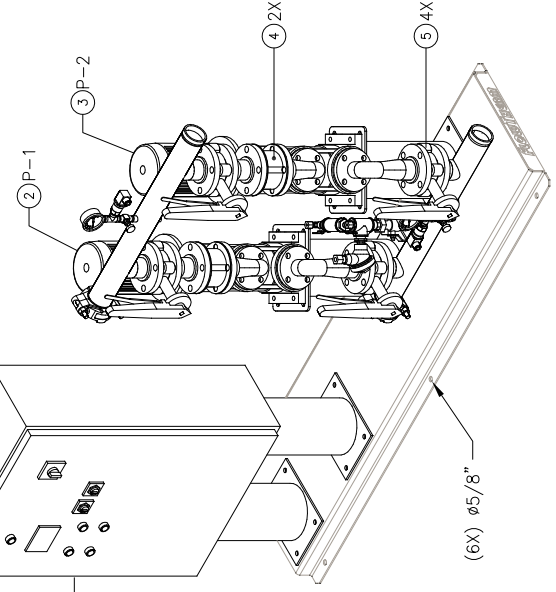
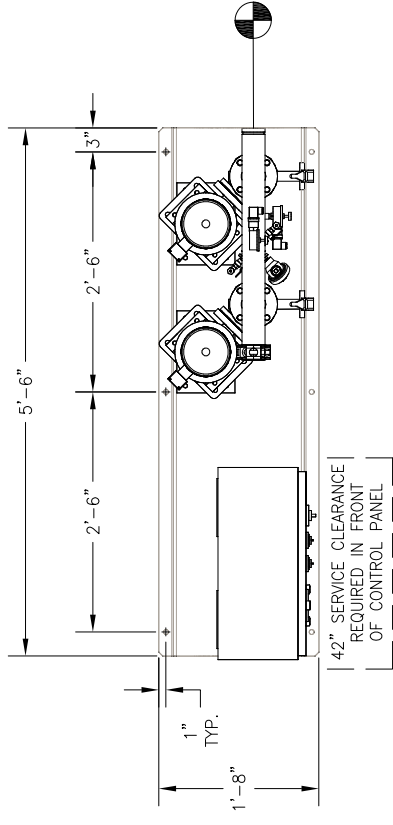


RELIEF VALVES AND ANCHORAGE EQUIPMENT DRAINS TO BE IN COMPLIANCE WITH LOCAL CODES AND ANY SEISMIC REQUIREMENTS.

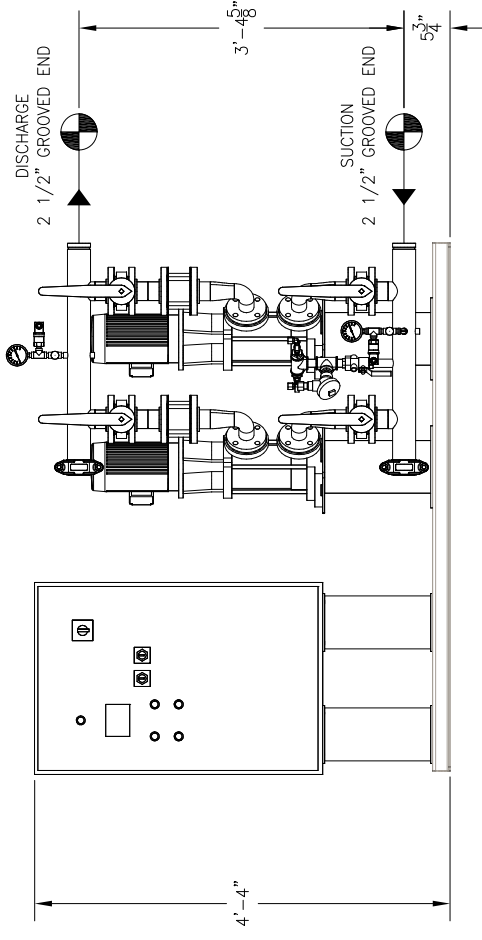
RELIEF VALVES AND ANCHORAGE EQUIPMENT DRAINS TO BE PIPED TO DRAIN OR VENT BY CONTRACTOR PER CODE REQUIREMENT.



RIGHT END VIEW



TOP VIEW



FRONT VIEW

CONSTRUCTION NOTES:  
 1. SUCTION AND DISCHARGE HEADERS ARE GROOVED ON BOTH ENDS.  
 2. SYSTEM DESIGNED FOR INDOOR INSTALLATION.

TOTAL FLOW		- GPM		- PSI		- PSI		- PSI			
TOTAL DISCHARGE PRESSURE		TOTAL SYSTEM CAPACITY		AVAILABLE PRESSURE		AVAILABLE PRESSURE		AVAILABLE PRESSURE			
3	P-2	GOULDS	ESV	SSVR-7	-	1 1/2	3500	460	60	3	TEFC P.E.
2	P-1	GOULDS	ESV	SSVR-7	-	1 1/2	3500	460	60	3	TEFC P.E.
ITEM	TAG	MANUFACTURER	SERIES	MODEL	TDH	HP	RPM	VOLTS/AHZ/PH	ENCLOSURE	PUMP SCHEDULE	
10	-	-	-	-	-	-	-	-	-	-	
9	-	-	-	-	-	-	-	-	-	-	
8	-	-	-	-	-	-	-	-	-	-	
7	-	-	-	-	-	-	-	-	-	-	
6	-	-	-	-	-	-	-	-	-	-	
5	4	-	-	-	-	-	-	-	-	LUG TYPE BUTTERFLY VALVE - 2"	
4	2	-	-	-	-	-	-	-	-	VAL-MATIC WAFER CHECK VALVE - 2"	
3	1	P-2	GOULDS	ESV MULTI-STAGE PUMP	MODEL	5SVR-7	-	-	-	-	
2	1	P-1	GOULDS	ESV MULTI-STAGE PUMP	MODEL	5SVR-7	-	-	-	-	
1	1	-	-	-	-	-	-	-	-	VARIABLE SPEED PUMP CONTROL PANEL	
ITEM	QTY	TAG	DESCRIPTION								

EQUIPMENT SCHEDULE

**FlowTHERM systems**  
 HAYWARD, CALIFORNIA

PROJECT NAME: \_\_\_\_\_  
 CUSTOMER: \_\_\_\_\_  
 DRAWN BY DATE: \_\_\_\_\_  
 CHECKED BY APPROVED BY: \_\_\_\_\_  
 TOLERANCES UNLESS OTHERWISE SPECIFIED: \_\_\_\_\_  
 DEC. .500" 1/2" ANGLE 5" SCALE 1" = 1'-0"

THIS DRAWING AND THE INFORMATION SPECIFIED THEREIN ARE THE PROPERTY OF FLOWTHERM SYSTEMS, A DIVISION OF CHC. COPIES ARE ISSUED IN STRICT CONFIDENCE AND SHALL NOT BE REPRODUCED OR TRANSMITTED IN ANY FORM OR BY ANY MEANS, ELECTRONIC OR MECHANICAL, INCLUDING PHOTOCOPYING, RECORDING, OR BY ANY INFORMATION STORAGE AND RETRIEVAL SYSTEM, WITHOUT THE WRITTEN PERMISSION OF CHC.

UL LISTED  
 PACKAGED PUMPING SYSTEMS & HEAT TRANSFER SYSTEMS

APPROXIMATE SHIPPING WEIGHT: 621 LBS.  
 APPROXIMATE OPERATING WEIGHT: 640 LBS.

GENERAL NOTES:  
 (1) SINGLE POINT POWER CONNECTION AT CONTROL PANEL.  
 (2) HYDRO PRESSURE CHECK AT 125 PSI.  
 (3) ASSEMBLED SYSTEM TO BE PAINTED WITH INDUSTRIAL MACHINE ENAMEL PRIOR TO SHIPMENT.

= DENOTES CONTRACTOR POINT OF CONNECTION

REVISIONS: \_\_\_\_\_  
 REV. A