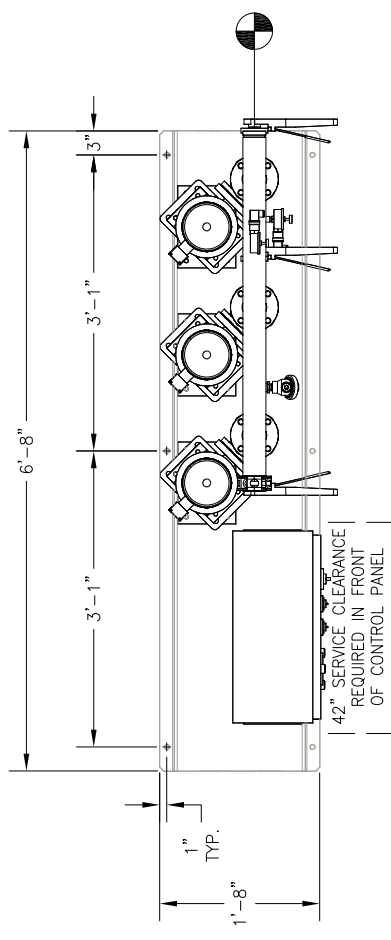
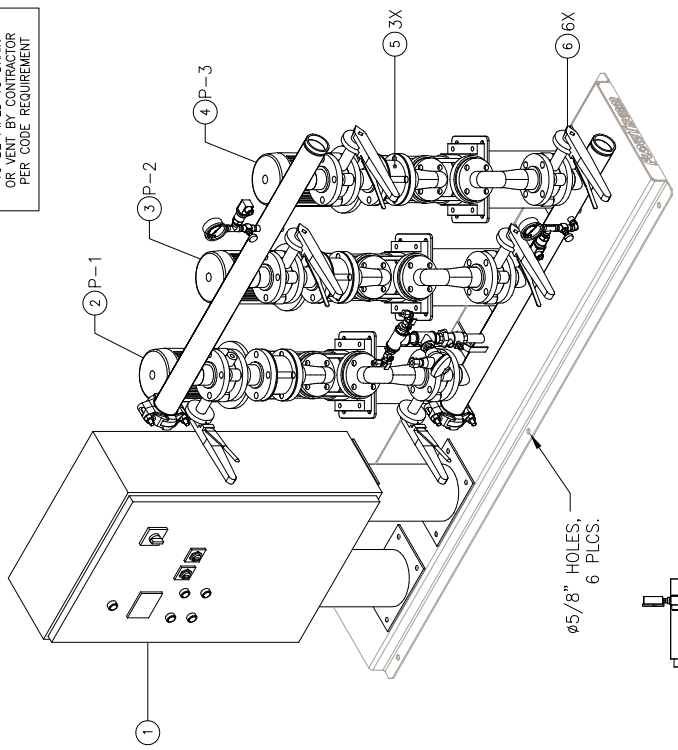
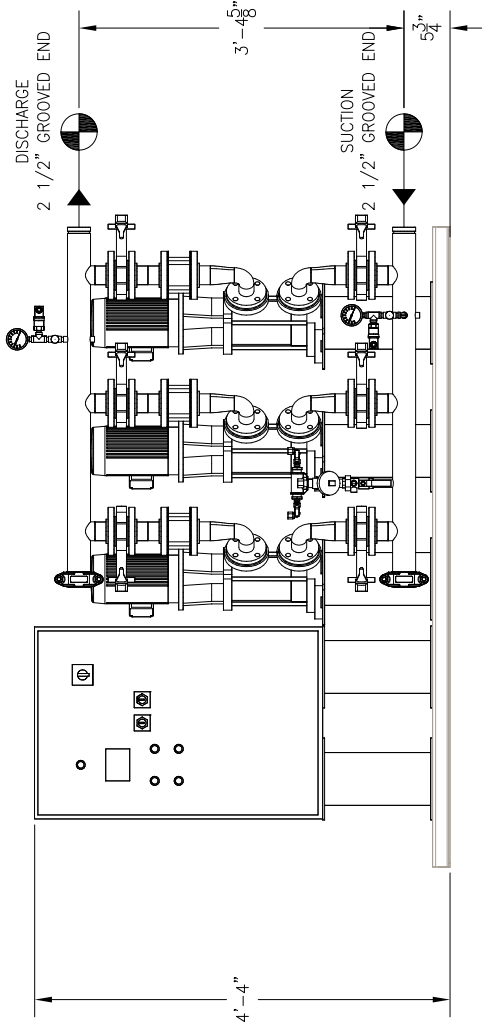


RELIEF VALVES AND ANCHORAGE EQUIPMENT DRAINS TO BE IN COMPLIANCE WITH LOCAL CODES AND ANY SEISMIC REQUIREMENTS.

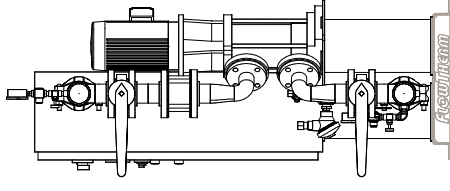
RELIEF VALVES AND ANCHORAGE EQUIPMENT DRAINS TO BE PIPED TO DRAIN OR VENT BY CONTRACTOR PER CODE REQUIREMENT



TOP VIEW



FRONT VIEW



RIGHT END VIEW

CONSTRUCTION NOTES:

- SUCTION AND DISCHARGE HEADERS ARE GROOVED ON BOTH ENDS.
- SYSTEM DESIGNED FOR INDOOR INSTALLATION.

-GPM	-PSI	-PSI	-PSI											
TOTAL FLOW	TOTAL DISCHARGE PRESSURE	AVAILABLE PRESSURE	AVAILABLE PRESSURE											
TOTAL SYSTEM CAPACITY														
4	P-3	GOULDS	ESV	5SVR-5	-	1/2	3500	H60	/	60	/	3	TEFC	P-E.
3	P-2	GOULDS	ESV	5SVR-5	-	1/2	3500	H60	/	60	/	3	TEFC	P-E.
2	P-1	GOULDS	ESV	5SVR-5	-	1/2	3500	H60	/	60	/	3	TEFC	P-E.

ITEM	TAG	MANUFACTURER	SERIES	MODEL	GPM	TDH	HP	RPM	VOLTS/PH/PH	ENCLOSURE
PUMP SCHEDULE										
10	-	-	-	-	-	-	-	-	-	-
9	-	-	-	-	-	-	-	-	-	-
8	-	-	-	-	-	-	-	-	-	-
7	-	-	-	-	-	-	-	-	-	-
6	6	-	-	-	-	-	-	-	-	-
5	3	-	-	-	-	-	-	-	-	-
4	1	P-3	GOULDS	ESV MULTI-STAGE PUMP	MODEL 5SVR-5	-	-	-	-	-
3	1	P-2	GOULDS	ESV MULTI-STAGE PUMP	MODEL 5SVR-5	-	-	-	-	-
2	1	P-1	GOULDS	ESV MULTI-STAGE PUMP	MODEL 5SVR-5	-	-	-	-	-
1	1	-	-	-	-	-	-	-	-	-

ITEM	QTY	TAG	DESCRIPTION
10	-	-	-
9	-	-	-
8	-	-	-
7	-	-	-
6	6	-	LUG TYPE BUTTERFLY VALVE - 2"
5	3	-	VAL-MATIC WAFER CHECK VALVE - 2"
4	1	P-3	GOULDS ESV MULTI-STAGE PUMP MODEL 5SVR-5
3	1	P-2	GOULDS ESV MULTI-STAGE PUMP MODEL 5SVR-5
2	1	P-1	GOULDS ESV MULTI-STAGE PUMP MODEL 5SVR-5
1	1	-	VARIABLE SPEED PUMP CONTROL PANEL

EQUIPMENT SCHEDULE

UL LISTED
PACKAGED PUMPING SYSTEMS & HEAT TRANSFER SYSTEMS

APPROXIMATE SHIPPING WEIGHT: 806 LBS.
APPROXIMATE OPERATING WEIGHT: 852 LBS.

GENERAL NOTES:
 (1) SINGLE POINT POWER CONNECTION AT CONTROL PANEL.
 (2) HYDRO PRESSURE CHECK AT 125 PSI.
 (3) ASSEMBLED SYSTEM TO BE PAINTED WITH INDUSTRIAL MACHINE ENAMEL PRIOR TO SHIPMENT.

PROJECT NAME:
CUSTOMER:
DRAWN BY DATE: 07/06/16
CHECKED BY APPROVED BY:
TOLERANCES UNLESS OTHERWISE SPECIFIED
DEC. .500"
FAC. 1/2"
ANGLE 5"
SCALE 1" = 1'-0"

REVISIONS AND THE INFORMATION SPECIFIED THEREIN ARE THE PROPERTY OF FLOWTHERM SYSTEMS, A DIVISION OF CHC. COPIES ARE ISSUED IN STRICT CONFIDENCE AND SHALL NOT BE REPRODUCED OR TRANSMITTED IN ANY MANNER WITHOUT PRIOR WRITTEN PERMISSION OF CHC.

THIS DRAWING AND THE INFORMATION SPECIFIED THEREIN ARE THE PROPERTY OF FLOWTHERM SYSTEMS, A DIVISION OF CHC. COPIES ARE ISSUED IN STRICT CONFIDENCE AND SHALL NOT BE REPRODUCED OR TRANSMITTED IN ANY MANNER WITHOUT PRIOR WRITTEN PERMISSION OF CHC.

FLOWTHERM systems
HAYWARD, CALIFORNIA

VARIABLE SPEED TRIPLEX PRESSURE BOOSTER
DRAWING NO. FW3-1S
REV. A