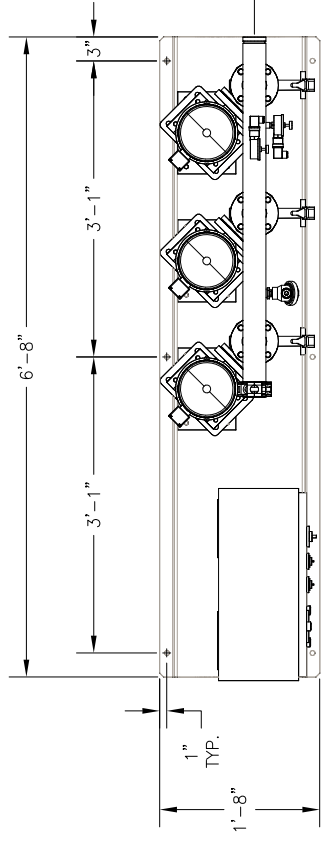
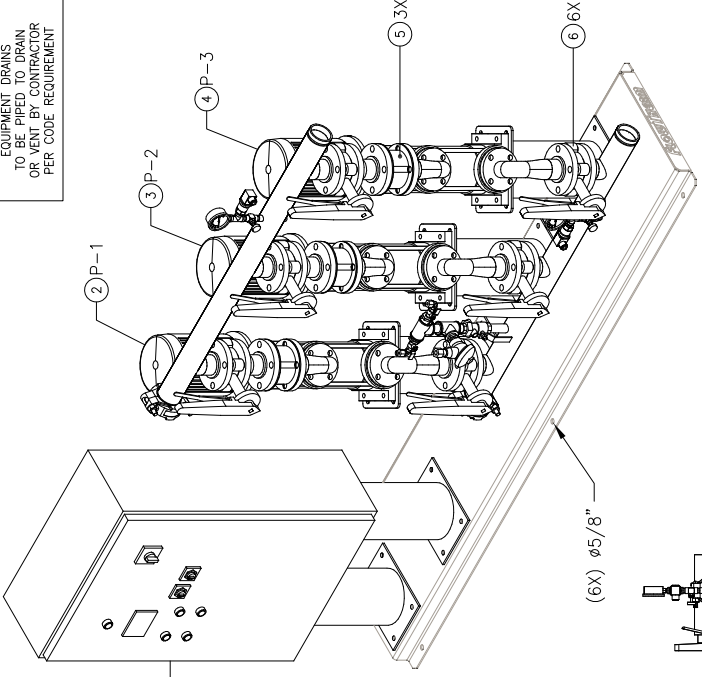
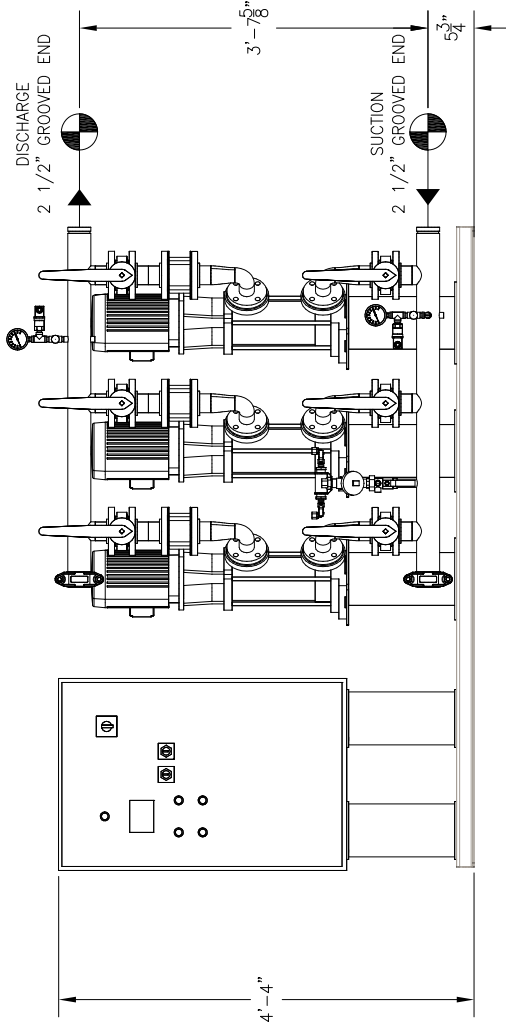


RELIEF VALVES AND ANCHORAGE TO BE IN COMPLIANCE WITH LOCAL CODES AND ANY SEISMIC REQUIREMENTS.

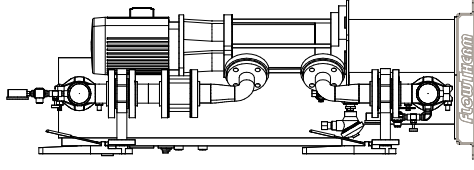
RELIEF VALVES AND EQUIPMENT DRAINS TO BE PIPED TO DRAIN OR VENT BY CONTRACTOR PER CODE REQUIREMENT



TOP VIEW



FRONT VIEW



RIGHT END VIEW

CONSTRUCTION NOTES:
 1. SUCTION AND DISCHARGE HEADERS ARE GROOVED ON BOTH ENDS.
 2. SYSTEM DESIGNED FOR INDOOR INSTALLATION.

-GPM	-PSI	-PSI	-PSI						
TOTAL FLOW	TOTAL DISCHARGE PRESSURE	AVAILABLE PRESSURE	AVAILABLE PRESSURE						
TOTAL SYSTEM CAPACITY									
4	P-3	GOULDS	ESV 5SVR-10	-	-	3	3500	H60 / 60 / 3	TEFC P.E.
3	P-2	GOULDS	ESV 5SVR-10	-	-	3	3500	H60 / 60 / 3	TEFC P.E.
2	P-1	GOULDS	ESV 5SVR-10	-	-	3	3500	H60 / 60 / 3	TEFC P.E.
ITEM	TAG	MANUFACTURER	SERIES	MODEL	TDH	HP	RPM	VOLTS/AHZ/PH	ENCLOSURE
PUMP SCHEDULE									
10	-	-	-	-	-	-	-	-	-
9	-	-	-	-	-	-	-	-	-
8	-	-	-	-	-	-	-	-	-
7	-	-	-	-	-	-	-	-	-
6	6	-	-	LUG TYPE BUTTERFLY VALVE	-	2"	-	-	-
5	3	-	-	VAL-WATER CHECK VALVE	-	2"	-	-	-
4	1	P-3	GOULDS	ESV MULTI-STAGE PUMP	MODEL 5SVR-10	-	-	-	-
3	1	P-2	GOULDS	ESV MULTI-STAGE PUMP	MODEL 5SVR-10	-	-	-	-
2	1	P-1	GOULDS	ESV MULTI-STAGE PUMP	MODEL 5SVR-10	-	-	-	-
1	1	-	-	VARIABLE SPEED PUMP CONTROL PANEL	-	-	-	-	-
ITEM	QTY	TAG	DESCRIPTION						

EQUIPMENT SCHEDULE	
PROJECT NAME:	
CUSTOMER:	
DRAWN BY DATE:	07/06/16
ACD	
CHECKED BY:	APPROVED BY:
TOLERANCES UNLESS OTHERWISE SPECIFIED:	
DEC. .500"	SCALE 1" = 1'-0"
FRAC. 1/2"	ANGLE 5°
SIZE C	
FAB NO.	
DRAWING NO.	
FW3-2SL	
REV	
A	

UL LISTED
 PACKAGED PUMPING SYSTEMS
 & HEAT TRANSFER SYSTEMS

APPROXIMATE SHIPPING WEIGHT: 860 LBS.
 APPROXIMATE OPERATING WEIGHT: 900 LBS.

GENERAL NOTES:
 (1) SINGLE POINT POWER CONNECTION AT CONTROL PANEL.
 (2) HYDRO PRESSURE CHECK AT 125 PSI.
 (3) ASSEMBLED SYSTEM TO BE PAINTED WITH INDUSTRIAL MACHINE ENAMEL PRIOR TO SHIPMENT.

THIS DRAWING AND THE INFORMATION SPECIFIED THEREIN ARE THE PROPERTY OF FLOWTHERM SYSTEMS, A DIVISION OF CHC. COPIES ARE ISSUED IN STRICT CONFIDENCE AND SHALL NOT BE REPRODUCED OR TRANSMITTED IN ANY FORM OR BY ANY MEANS, ELECTRONIC OR MECHANICAL, INCLUDING PHOTOCOPYING, RECORDING, OR BY ANY INFORMATION STORAGE AND RETRIEVAL SYSTEM, WITHOUT THE WRITTEN PERMISSION OF CHC.

= DENOTES CONTRACTOR POINT OF CONNECTION



VARIABLE SPEED TRIPLEX PRESSURE BOOSTER