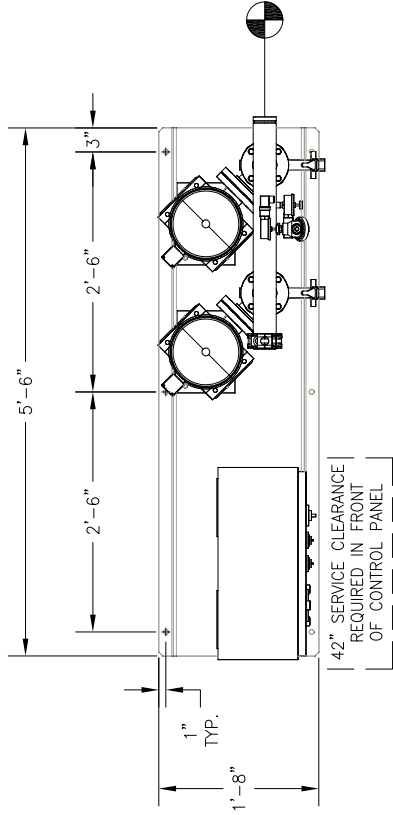
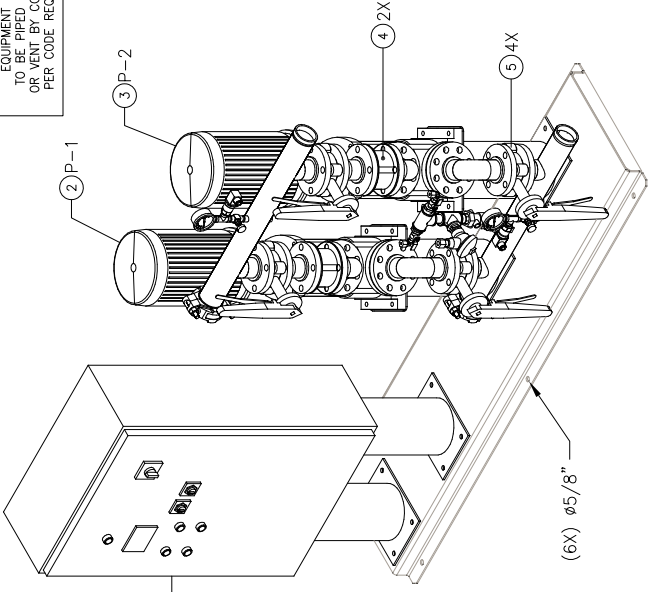
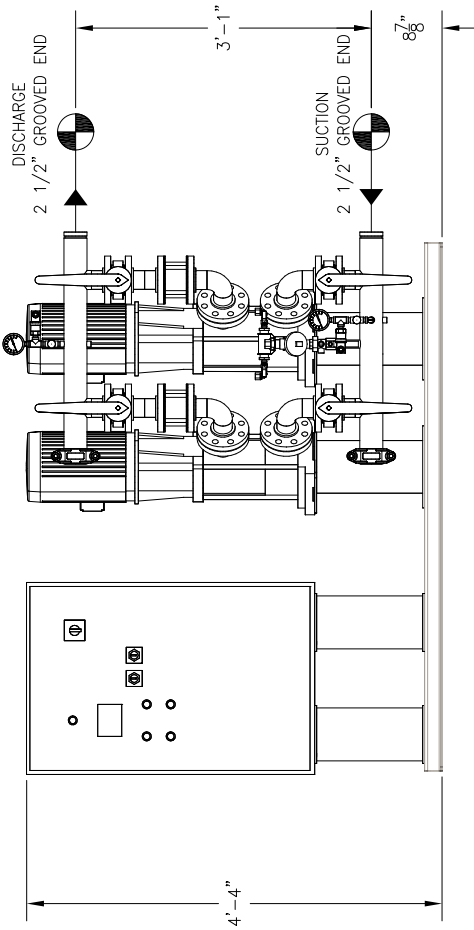


RELIEF VALVES AND ANCHORAGE EQUIPMENT DRAINS TO BE IN COMPLIANCE WITH LOCAL CODES AND ANY SEISMIC REQUIREMENTS.

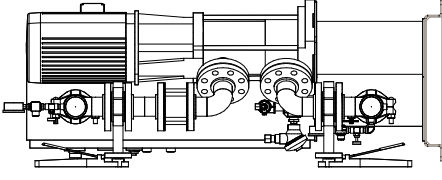
RELIEF VALVES AND ANCHORAGE EQUIPMENT DRAINS TO BE PIPED TO DRAIN OR VENT BY CONTRACTOR PER CODE REQUIREMENT



TOP VIEW



FRONT VIEW



RIGHT END VIEW

CONSTRUCTION NOTES:  
 1. SUCTION AND DISCHARGE HEADERS ARE GROOVED ON BOTH ENDS.  
 2. SYSTEM DESIGNED FOR INDOOR INSTALLATION.

TOTAL FLOW		-GPM		-PSI		-PSI		-PSI		
TOTAL DISCHARGE PRESSURE		TOTAL SYSTEM CAPACITY		AVAILABLE PRESSURE		AVAILABLE PRESSURE		AVAILABLE PRESSURE		
3	P-2	GOULDS	ESV	10SVR-6	-	-	5	3500	460 / 60 / 3	TEFC P.E.
2	P-1	GOULDS	ESV	10SVR-6	-	-	5	3500	460 / 60 / 3	TEFC P.E.
ITEM	TAG	MANUFACTURER	SERIES	MODEL	GPM	TDH	HP	RPM	VOLTS/AHZ/PH	ENCLOSURE
PUMP SCHEDULE										
10	-	-	-	-	-	-	-	-	-	-
9	-	-	-	-	-	-	-	-	-	-
8	-	-	-	-	-	-	-	-	-	-
7	-	-	-	-	-	-	-	-	-	-
6	-	-	-	-	-	-	-	-	-	-
5	4	-	-	-	-	-	-	-	-	LUG TYPE BUTTERFLY VALVE - 2"
4	2	-	-	-	-	-	-	-	-	VAL-MATIC WAFER CHECK VALVE - 2"
3	1	P-2	GOULDS	ESV MULTI-STAGE PUMP	MODEL 10SVR-6	-	-	-	-	-
2	1	P-1	GOULDS	ESV MULTI-STAGE PUMP	MODEL 10SVR-6	-	-	-	-	-
1	1	-	-	-	-	-	-	-	-	VARIABLE SPEED PUMP CONTROL PANEL
ITEM	QTY	TAG	DESCRIPTION							

EQUIPMENT SCHEDULE

**FLOWTECH** systems  
 HAYWARD, CALIFORNIA

PROJECT NAME: \_\_\_\_\_  
 CUSTOMER: \_\_\_\_\_  
 DRAWN BY DATE: \_\_\_\_\_ / 07/07/16  
 ACD  
 CHECKED BY APPROVED BY: \_\_\_\_\_  
 TOLERANCES UNLESS OTHERWISE SPECIFIED  
 DEC. FRACTION: 1/2" ANGLE: 5" SCALE: 1" = 1'-0"  
 .500"

DRAWING NO. \_\_\_\_\_  
 FAB NO. \_\_\_\_\_  
 VARIABLE SPEED DUPLEX PRESSURE BOOSTER  
 FMWZ-35L

REV. \_\_\_\_\_  
 A

GENERAL NOTES:  
 (1) SINGLE POINT POWER CONNECTION AT CONTROL PANEL.  
 (2) HYDRO PRESSURE CHECK AT 125 PSI.  
 (3) ASSEMBLED SYSTEM TO BE PAINTED WITH INDUSTRIAL MACHINE ENAMEL PRIOR TO SHIPMENT.

APPROXIMATE SHIPPING WEIGHT: 742 LBS.  
 APPROXIMATE OPERATING WEIGHT: 761 LBS.

= DENOTES CONTRACTOR POINT OF CONNECTION

LISTED  
 PACKAGED PUMPING SYSTEMS  
 & HEAT TRANSFER SYSTEMS

UL

THIS DRAWING AND THE INFORMATION SPECIFIED THEREIN ARE THE PROPERTY OF FLOWTECH SYSTEMS, A DIVISION OF CHC. COPIES ARE ISSUED IN STRICT CONFIDENCE AND SHALL NOT BE REPRODUCED OR TRANSMITTED IN ANY FORM OR BY ANY MEANS, ELECTRONIC OR MECHANICAL, INCLUDING PHOTOCOPYING, RECORDING, OR BY ANY INFORMATION STORAGE AND RETRIEVAL SYSTEM, WITHOUT THE WRITTEN PERMISSION OF CHC.

APPROXIMATE SHIPPING WEIGHT: 742 LBS.  
 APPROXIMATE OPERATING WEIGHT: 761 LBS.

UL LISTED PACKAGED PUMPING SYSTEMS & HEAT TRANSFER SYSTEMS

THIS DRAWING AND THE INFORMATION SPECIFIED THEREIN ARE THE PROPERTY OF FLOWTECH SYSTEMS, A DIVISION OF CHC. COPIES ARE ISSUED IN STRICT CONFIDENCE AND SHALL NOT BE REPRODUCED OR TRANSMITTED IN ANY FORM OR BY ANY MEANS, ELECTRONIC OR MECHANICAL, INCLUDING PHOTOCOPYING, RECORDING, OR BY ANY INFORMATION STORAGE AND RETRIEVAL SYSTEM, WITHOUT THE WRITTEN PERMISSION OF CHC.