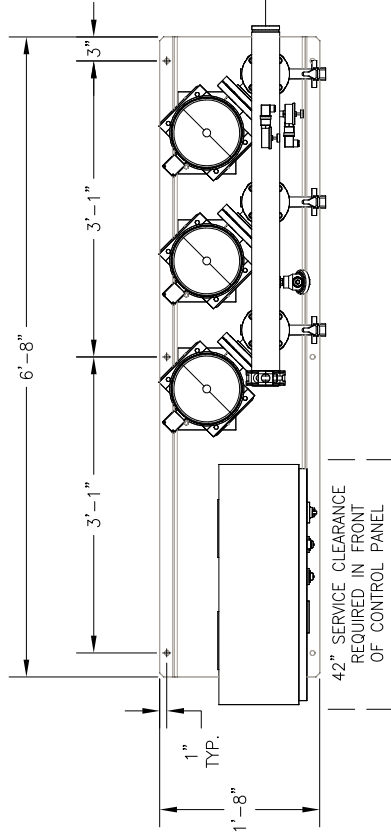
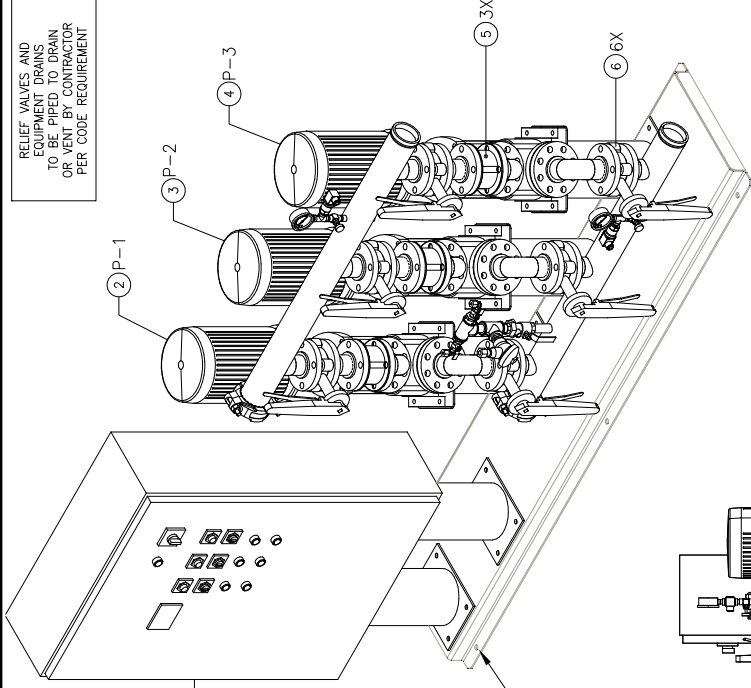
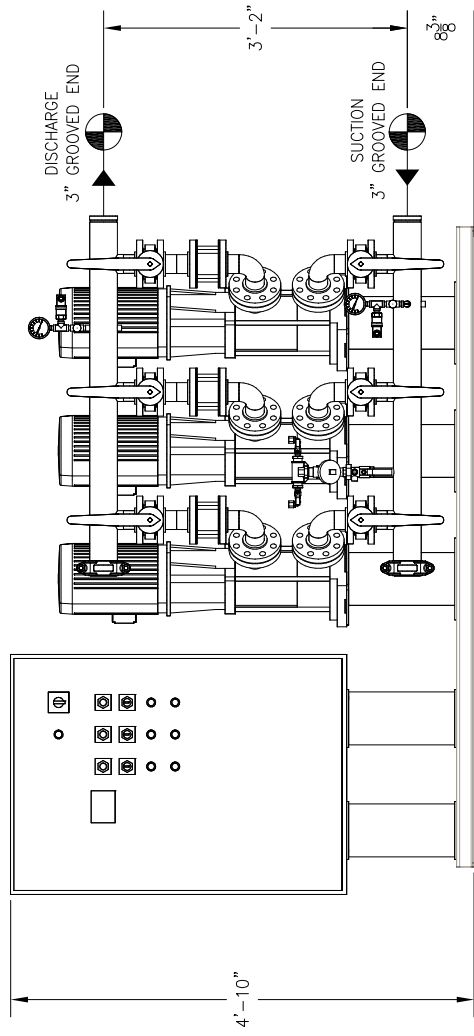


ALL BOLTING AND ANCHORAGE TO BE IN COMPLIANCE WITH LOCAL CODES AND ANY SEISMIC REQUIREMENTS.

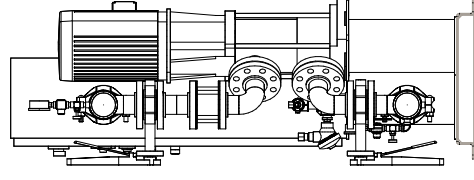
RELIEF VALVES AND EQUIPMENT DRAINS TO BE PIPED TO DRAIN OR VENT BY CONTRACTOR PER CODE REQUIREMENT



TOP VIEW



FRONT VIEW



RIGHT END VIEW

CONSTRUCTION NOTES:
 1. SUCTION AND DISCHARGE HEADERS ARE GROOVED ON BOTH ENDS.
 2. SYSTEM DESIGNED FOR INDOOR INSTALLATION.

-GPM	-PSI	-PSI	-PSI
TOTAL FLOW	TOTAL DISCHARGE PRESSURE	AVAILABLE PRESSURE	AVAILABLE PRESSURE
TOTAL SYSTEM CAPACITY			

ITEM	TAG	MANUFACTURER	SERIES	MODEL	GPM	TDH	HP	RPM	VOLTS/42/PH	ENCLOSURE
4	P-3	GOULDS	ESV	10SVR-6	-	-	5	3500	H60 / 60 / 3	TEFC P.E.
3	P-2	GOULDS	ESV	10SVR-6	-	-	5	3500	H60 / 60 / 3	TEFC P.E.
2	P-1	GOULDS	ESV	10SVR-6	-	-	5	3500	H60 / 60 / 3	TEFC P.E.

ITEM	QTY	TAG	DESCRIPTION
10	-	-	-
9	-	-	-
8	-	-	-
7	-	-	-
6	6	-	LUG TYPE BUTTERFLY VALVE - 2"
5	3	-	VAL-MATIC WAFER CHECK VALVE - 2"
4	1	P-3	GOULDS ESV MULTI-STAGE PUMP MODEL 10SVR-6
3	1	P-2	GOULDS ESV MULTI-STAGE PUMP MODEL 10SVR-6
2	1	P-1	GOULDS ESV MULTI-STAGE PUMP MODEL 10SVR-6
1	1	-	VARIABLE SPEED PUMP CONTROL PANEL

EQUIPMENT SCHEDULE

FlowTherm systems
 HAYWARD, CALIFORNIA

PROJECT NAME:
 CUSTOMER:
 DRAWN BY DATE: 07/06/16
 CHECKED BY APPROVED BY:
 TOLERANCES UNLESS OTHERWISE SPECIFIED:
 DEC. .500"
 FRACTION 1/2"
 ANGLE 5"
 SCALE 1" = 1'-0"

DRAWING NO. FAW-351
 VARIABLE SPEED TRIPLEX PRESSURE BOOSTER
 REV A

THIS DRAWING AND THE INFORMATION SPECIFIED THEREIN IS THE PROPERTY OF FLOWTHERM SYSTEMS, A DIVISION OF CHC. COPIES ARE ISSUED IN STRICT CONFIDENCE AND SHALL NOT BE REPRODUCED OR TRANSMITTED IN ANY FORM OR BY ANY MEANS, ELECTRONIC OR MECHANICAL, INCLUDING PHOTOCOPYING, RECORDING, OR BY ANY INFORMATION STORAGE AND RETRIEVAL SYSTEM, WITHOUT THE WRITTEN PERMISSION OF CHC.

UL LISTED
 PACKAGED PUMPING SYSTEMS & HEAT TRANSFER SYSTEMS

APPROXIMATE SHIPPING WEIGHT: 988 LBS.
 APPROXIMATE OPERATING WEIGHT: 1,034 LBS.

GENERAL NOTES:
 (1) SINGLE POINT POWER CONNECTION AT CONTROL PANEL.
 (2) HYDRO PRESSURE CHECK AT 125 PSI.
 (3) ASSEMBLED SYSTEM TO BE PAINTED WITH INDUSTRIAL MACHINE ENAMEL PRIOR TO SHIPMENT.

= DENOTES CONTRACTOR POINT OF CONNECTION