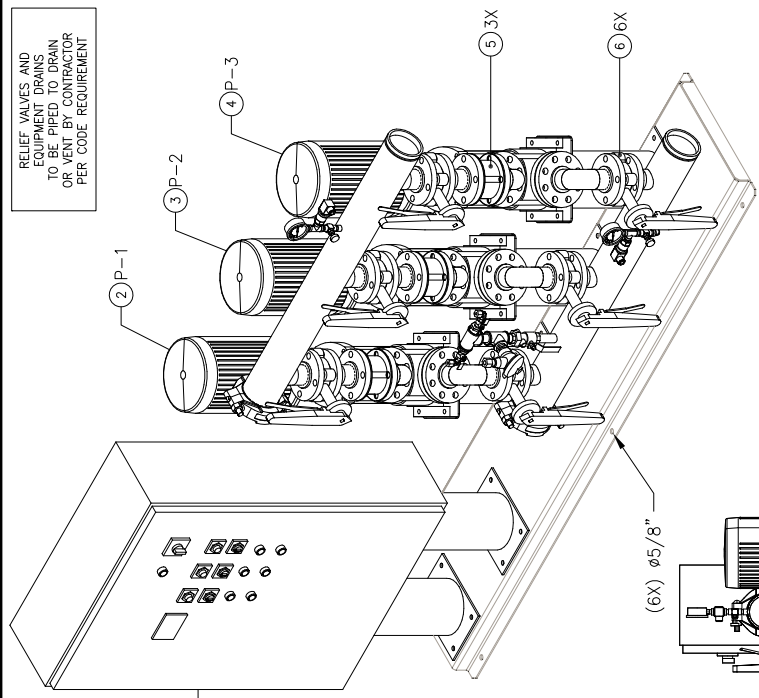


RELIEF VALVES AND ANCHORAGE EQUIPMENT DRAINS TO BE IN COMPLIANCE WITH LOCAL CODES AND ANY SEISMIC REQUIREMENTS.

RELIEF VALVES AND ANCHORAGE EQUIPMENT DRAINS TO BE PIPED TO DRAIN OR VENT BY CONTRACTOR PER CODE REQUIREMENT

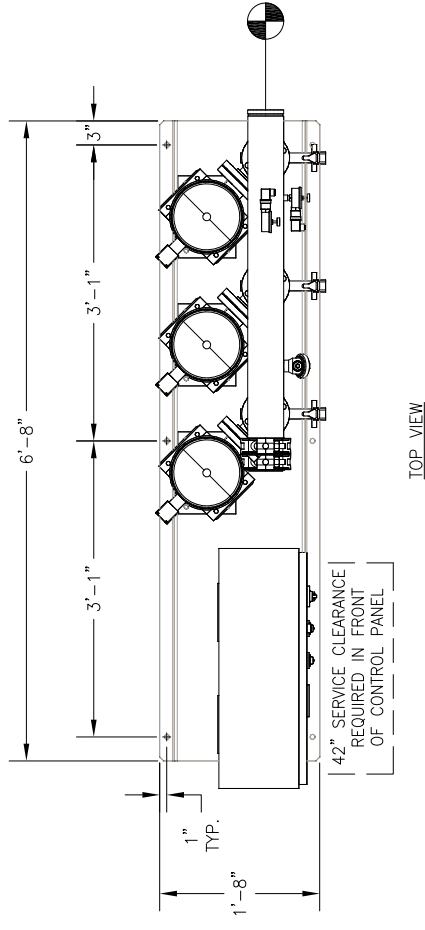


CONSTRUCTION NOTES:
 1. SUCTION AND DISCHARGE HEADERS ARE GROOVED ON BOTH ENDS.
 2. SYSTEM DESIGNED FOR INDOOR INSTALLATION.

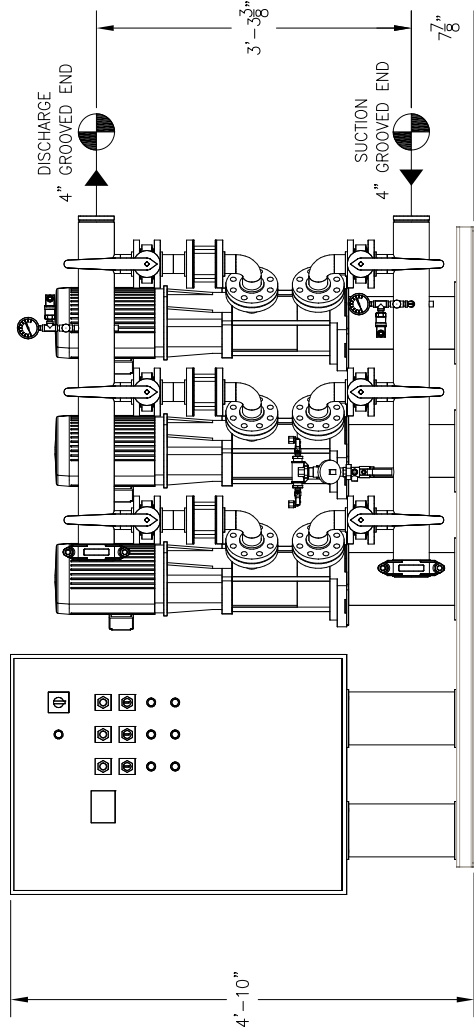
TOTAL FLOW		TOTAL DISCHARGE PRESSURE		TOTAL SYSTEM CAPACITY						
-GPM		-PSI		-PSI						
TOTAL FLOW		TOTAL DISCHARGE PRESSURE		AVAILABLE PRESSURE						
4	P-3	GOULDS	ESV 15SVR-2	-	5	3500	H60 / 60 / 3	TEFC	P.E.	
3	P-2	GOULDS	ESV 15SVR-2	-	5	3500	H60 / 60 / 3	TEFC	P.E.	
2	P-1	GOULDS	ESV 15SVR-2	-	5	3500	H60 / 60 / 3	TEFC	P.E.	
ITEM	TAG	MANUFACTURER	SERIES	MODEL	GPM	TDH	RPM	HP	VOLTS/42/PH	ENCLOSURE
PUMP SCHEDULE										
10	-	-	-	-	-	-	-	-	-	-
9	-	-	-	-	-	-	-	-	-	-
8	-	-	-	-	-	-	-	-	-	-
7	-	-	-	-	-	-	-	-	-	-
6	6	-	-	LUG TYPE BUTTERFLY VALVE - 2"	-	-	-	-	-	-
5	3	-	-	VAL-MATIC WAFER CHECK VALVE - 2"	-	-	-	-	-	-
4	1	P-3	GOULDS	ESV MULTI-STAGE PUMP MODEL 15SVR-2	-	-	-	-	-	-
3	1	P-2	GOULDS	ESV MULTI-STAGE PUMP MODEL 15SVR-2	-	-	-	-	-	-
2	1	P-1	GOULDS	ESV MULTI-STAGE PUMP MODEL 15SVR-2	-	-	-	-	-	-
1	1	-	-	VARIABLE SPEED PUMP CONTROL PANEL	-	-	-	-	-	-
ITEM	QTY	TAG	DESCRIPTION							

EQUIPMENT SCHEDULE	
ITEM	DESCRIPTION
10	-
9	-
8	-
7	-
6	6
5	3
4	1
3	1
2	1
1	1

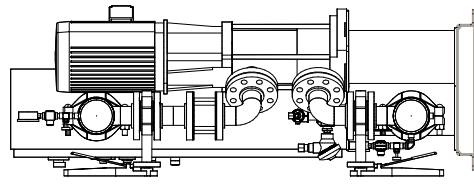
PROJECT NAME:		DRAWN BY DATE		CHECKED BY APPROVED BY	
CUSTOMER:		ACD 07/07/16		ACD	
TOLERANCES UNLESS OTHERWISE SPECIFIED		DEC. .500"		SCALE 1" = 1'-0"	
ANGLE 5"		FRAC. 1/2"		SIZE C	
DRAWING NO. FW3-SSL		FAB NO.		VARIABLE SPEED TRIPLEX PRESSURE BOOSTER	
DRAWING TITLE:		HAYWARD, CALIFORNIA		REV A	



TOP VIEW



FRONT VIEW



RIGHT END VIEW

THIS DRAWING AND THE INFORMATION SPECIFIED THEREIN ARE THE PROPERTY OF FLOWTHERM SYSTEMS, A DIVISION OF CHC. COPIES ARE ISSUED IN STRICT CONFIDENCE AND SHALL NOT BE REPRODUCED OR TRANSMITTED IN ANY FORM OR BY ANY MEANS, INCLUDING PHOTOCOPYING, RECORDING, OR BY ANY INFORMATION STORAGE AND RETRIEVAL SYSTEM, WITHOUT THE WRITTEN PERMISSION OF CHC.



GENERAL NOTES:
 (1) SINGLE POINT POWER CONNECTION AT CONTROL PANEL.
 (2) HYDRO PRESSURE CHECK AT 125 PSI.
 (3) ASSEMBLED SYSTEM TO BE PAINTED WITH INDUSTRIAL MACHINE ENAMEL PRIOR TO SHIPMENT.

APPROXIMATE SHIPPING WEIGHT: 1,039 LBS.
 APPROXIMATE OPERATING WEIGHT: 1,106 LBS.

= DENOTES CONTRACTOR POINT OF CONNECTION