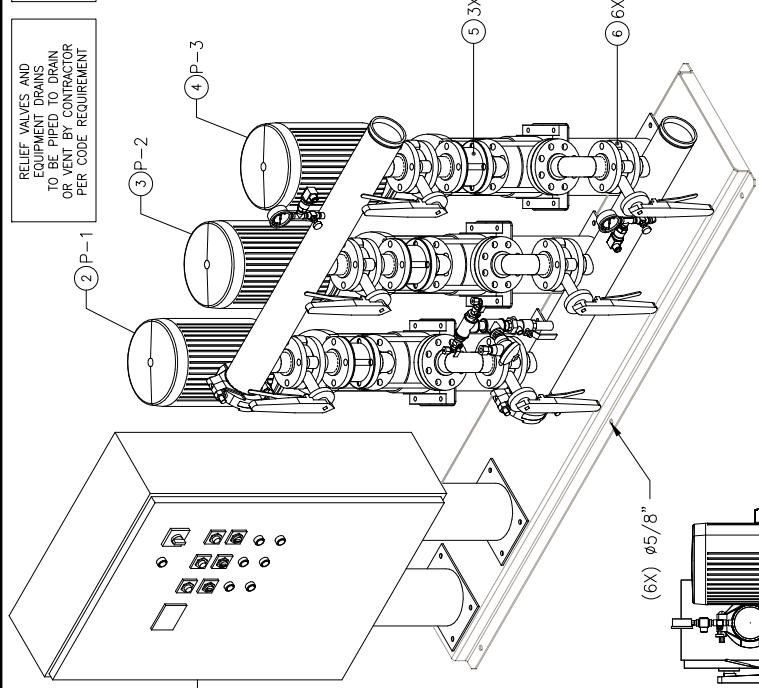


RELIEF VALVES AND ANCHORAGE EQUIPMENT DRAINS TO BE PIPIED TO DRAIN OR VENT BY CONTRACTOR PER CODE REQUIREMENT.

ALL BOLTING AND ANCHORAGE TO BE IN COMPLIANCE WITH LOCAL CODES AND ANY SEISMIC REQUIREMENTS.



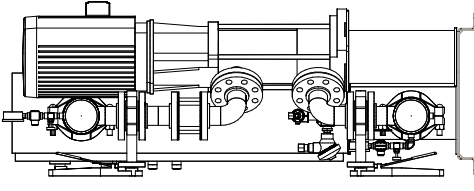
CONSTRUCTION NOTES:
 1. SUCTION AND DISCHARGE HEADERS ARE GROOVED ON BOTH ENDS.
 2. SYSTEM DESIGNED FOR INDOOR INSTALLATION.

TOTAL FLOW		TOTAL DISCHARGE PRESSURE		AVAILABLE PRESSURE	
-GPM		-PSI		-PSI	
10	-	-	-	-	-
9	-	-	-	-	-
8	-	-	-	-	-
7	-	-	-	-	-
6	6	-	-	-	-
5	3	-	-	-	-
4	1	-	-	-	-
3	1	-	-	-	-
2	1	-	-	-	-
1	1	-	-	-	-

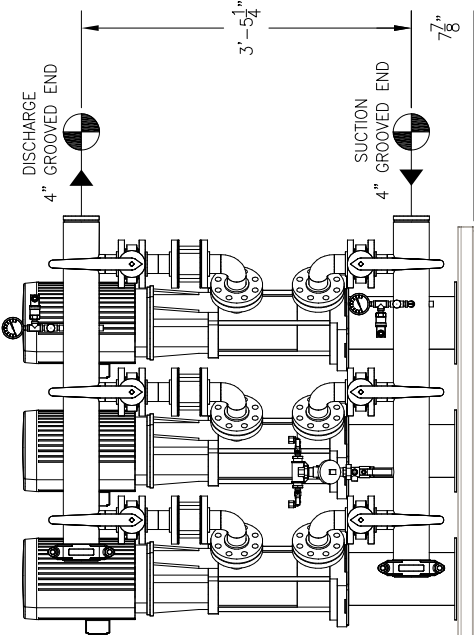
TOTAL SYSTEM CAPACITY										
ITEM	TAG	MANUFACTURER	SERIES	MODEL	TDH	HP	RPM	VOLTS/AHZ/PH	ENCLOSURE	
4	P-3	GOULDS	ESV	15SVR-5	-	-	10	3500	H60 / 60 / 3	TEFC P.E.
3	P-2	GOULDS	ESV	15SVR-5	-	-	10	3500	H60 / 60 / 3	TEFC P.E.
2	P-1	GOULDS	ESV	15SVR-5	-	-	10	3500	H60 / 60 / 3	TEFC P.E.

PUMP SCHEDULE	
ITEM	QTY
10	-
9	-
8	-
7	-
6	6
5	3
4	1
3	1
2	1
1	1

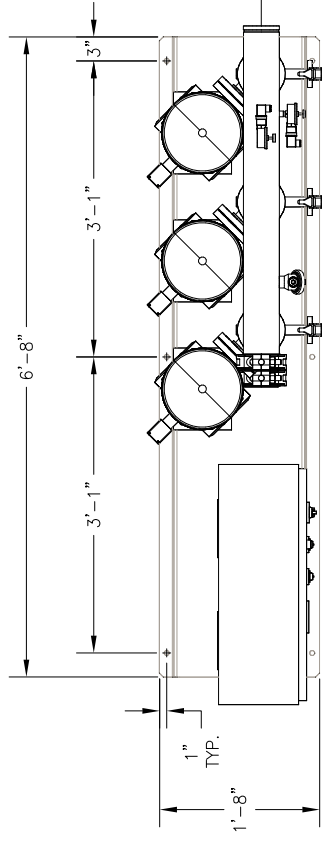
EQUIPMENT SCHEDULE	
ITEM	DESCRIPTION
10	-
9	-
8	-
7	-
6	LUG TYPE BUTTERFLY VALVE - 2"
5	VAL-MATIC WAFER CHECK VALVE - 2"
4	GOULDS ESV MULTI-STAGE PUMP MODEL 15SVR-5
3	GOULDS ESV MULTI-STAGE PUMP MODEL 15SVR-5
2	GOULDS ESV MULTI-STAGE PUMP MODEL 15SVR-5
1	VARIABLE SPEED PUMP CONTROL PANEL



RIGHT END VIEW



FRONT VIEW



TOP VIEW

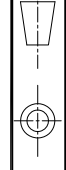
42" SERVICE CLEARANCE REQUIRED IN FRONT OF CONTROL PANEL

THIS DRAWING AND THE INFORMATION SPECIFIED THEREIN ARE THE PROPERTY OF FLOWTECH SYSTEMS, A DIVISION OF CHC. COPIES ARE ISSUED IN STRICT CONFIDENCE AND SHALL NOT BE LOANED, REPRODUCED, COPIED, OR USED FOR ANY PURPOSE WITHOUT THE WRITTEN PERMISSION OF CHC.

UL LISTED
 PACKAGED PUMPING SYSTEMS & HEAT TRANSFER SYSTEMS

GENERAL NOTES:
 (1) SINGLE POINT POWER CONNECTION AT CONTROL PANEL.
 (2) HYDRO PRESSURE CHECK AT 125 PSI.
 (3) ASSEMBLED SYSTEM TO BE PAINTED WITH INDUSTRIAL MACHINE ENAMEL PRIOR TO SHIPMENT.

APPROXIMATE SHIPPING WEIGHT: 1,190 LBS.
 APPROXIMATE OPERATING WEIGHT: 1,258 LBS.



= DENOTES CONTRACTOR POINT OF CONNECTION

PROJECT NAME:

CUSTOMER:

DRAWN BY DATE: 07/09/16
 CHECKED BY APPROVED BY:

TOLERANCES UNLESS OTHERWISE SPECIFIED
 DEC. .500" 1/2" ANGLE 5" SCALE 1" = 1'-0"

FlowTech systems
 HAYWARD, CALIFORNIA

VARIABLE SPEED TRIPLEX PRESSURE BOOSTER

DRAWING NO. FWS-251

FAB NO.

REV. A