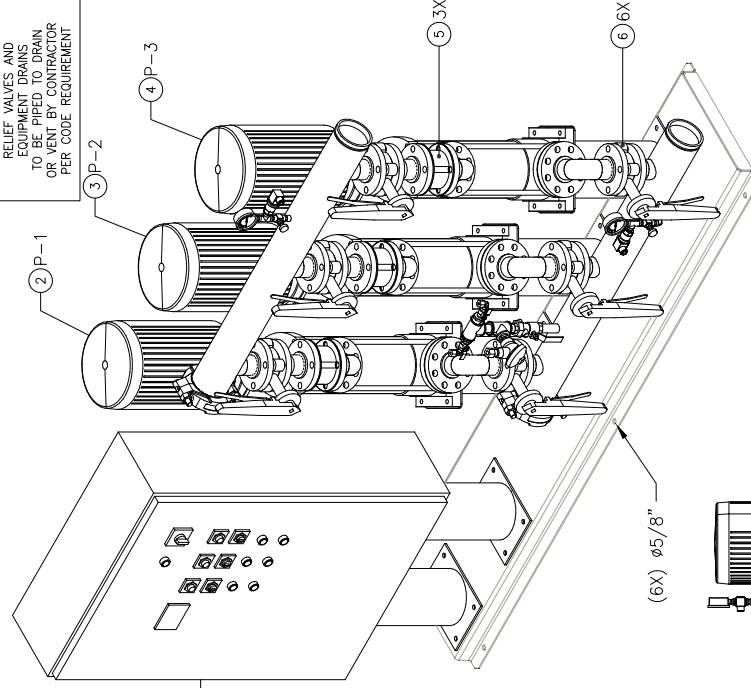


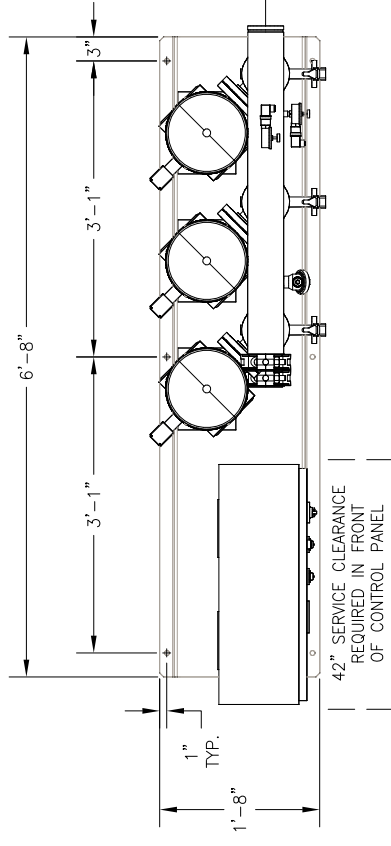
ALL BOLTING AND ANCHORAGE TO BE IN COMPLIANCE WITH LOCAL CODES AND ANY SEISMIC REQUIREMENTS.

RELIEF VALVES AND EQUIPMENT DRAINS TO BE PIPED TO DRAIN OR VENT BY CONTRACTOR PER CODE REQUIREMENT

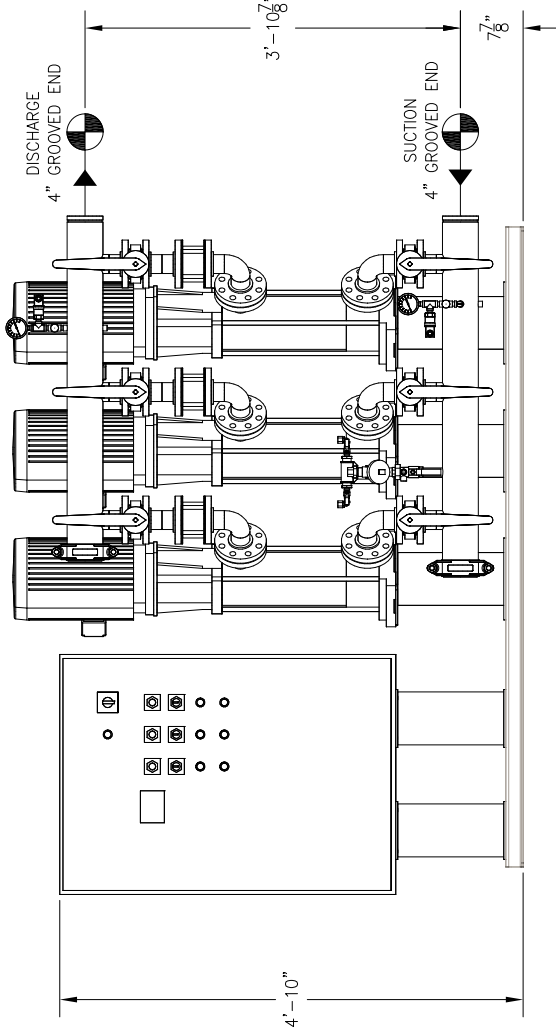


CONSTRUCTION NOTES:  
 1. SUCTION AND DISCHARGE HEADERS ARE GROOVED ON BOTH ENDS.  
 2. SYSTEM DESIGNED FOR INDOOR INSTALLATION.

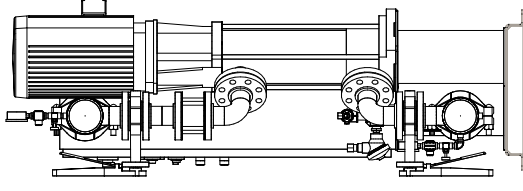
TOTAL FLOW		TOTAL DISCHARGE PRESSURE		TOTAL SYSTEM CAPACITY						
-GPM		-PSI		-PSI						
				AVAILABLE PRESSURE						
4	P-3	GOULDS	ESV 15SVR-8	-	15	3500	H60 / 60 / 3	TEFC P.E.		
3	P-2	GOULDS	ESV 15SVR-8	-	15	3500	H60 / 60 / 3	TEFC P.E.		
2	P-1	GOULDS	ESV 15SVR-8	-	15	3500	H60 / 60 / 3	TEFC P.E.		
ITEM	TAG	MANUFACTURER	SERIES	MODEL	GPM	TDH	HP	RPM	VOLTS/AHZ/PH	ENCLOSURE
PUMP SCHEDULE										
10	-	-	-	-	-	-	-	-	-	-
9	-	-	-	-	-	-	-	-	-	-
8	-	-	-	-	-	-	-	-	-	-
7	-	-	-	-	-	-	-	-	-	-
6	6	-	-	LUG TYPE BUTTERFLY VALVE	-	2"	-	-	-	-
5	3	-	-	VAL-MATIC WAFER CHECK VALVE	-	2"	-	-	-	-
4	1	P-3	GOULDS	ESV MULTI-STAGE PUMP	MODEL 15SVR-8	-	-	-	-	-
3	1	P-2	GOULDS	ESV MULTI-STAGE PUMP	MODEL 15SVR-8	-	-	-	-	-
2	1	P-1	GOULDS	ESV MULTI-STAGE PUMP	MODEL 15SVR-8	-	-	-	-	-
1	1	-	-	VARIABLE SPEED PUMP CONTROL PANEL	-	-	-	-	-	-
ITEM	QTY	TAG	DESCRIPTION							



TOP VIEW



FRONT VIEW



RIGHT END VIEW

**GENERAL NOTES:**  
 (1) SINGLE POINT POWER CONNECTION AT CONTROL PANEL.  
 (2) HYDRO PRESSURE CHECK AT 125 PSI.  
 (3) ASSEMBLED SYSTEM TO BE PAINTED WITH INDUSTRIAL MACHINE ENAMEL PRIOR TO SHIPMENT.

**UL LISTED**  
 PACKAGED PUMPING SYSTEMS  
 & HEAT TRANSFER SYSTEMS

APPROXIMATE SHIPPING WEIGHT: 1,487 LBS.  
 APPROXIMATE OPERATING WEIGHT: 1,555 LBS.

**PROJECT NAME:**  
 CUSTOMER:  
 DRAWN BY DATE: 07/08/16  
 CHECKED BY APPROVED BY:  
 TOLERANCES UNLESS OTHERWISE SPECIFIED  
 DEC. .500" FRACTION 1/2" ANGLE 5" SCALE 1" = 1'-0"

**EQUIPMENT SCHEDULE**

**FLOWTECH systems**  
 HAYWARD, CALIFORNIA

VARIABLE SPEED TRIPLEX PRESSURE BOOSTER  
 DRAWING NO. FW3-BSL  
 REV. A